

Delta Single Port Power over Ethernet Injector

65W IEEE 802.3bt 1G/2.5G/5G/10G



ADH 56V

Highlights & Features

- Meet IEEE 802.3bt Standard and Compatible with IEEE 802.3af/at
Compatible means power injector (PSE) can apply power to system (PD) when PD use af and at IC
- Support 10/100/1000/2500/5000/10000 Base-T
- Compliant with Limited Power Source (LPS)
- High Efficiency & Low No Load Power meet DOE VI and Tier II
- Provide 2 LED indicators include Power LED(Green) and POE LED(Green)
- Over-Voltage/Load/Temperature & Short Circuit protections
- IT safety approvals
- 200k Hours MTBF @ 25°C

Model Information

ADH Series, Single Port Power over Ethernet Injector

Model Number	Input Voltage Range	Output Voltage	Output Current
ADH-65AR BA – 1G	90 ~ 264Vac	56Vdc	1.161A
ADH-65AR BB – 2.5G	90 ~ 264Vac	56Vdc	1.161A
ADH-65AR BC – 5G	90 ~ 264Vac	56Vdc	1.161A
ADH-65AR ND – 10G	90 ~ 264Vac	56Vdc	1.161A

Note: This PoE injector is used for active PD system. Active PD means with PD IC.

Note: 65AR ND (10G) is under developing and 10G data packet loss is within 0.1%

Specifications

Input Ratings / Characteristics

Nominal Input Voltage	100 ~ 240Vac
Input Voltage Range	90 ~ 264Vac
Nominal Input Frequency	50 ~ 60Hz
Input Frequency Range	47 ~ 63Hz
Input Current	2.0A Maximum
Average Efficiency @ 115Vac/60Hz	>88% (on board)
Average Efficiency @ 230Vac/50Hz	>89% (on board)
No Load Power Consumption @ 115Vac/60Hz	<0.21W
No Load Power Consumption @ 230Vac/50Hz	<0.15W

Output Ratings / Characteristics

Rated Voltage	56Vdc
Voltage Range	54 ~ 57Vdc (on board)
Current	0 ~ 1.161A

Delta Single Port Power over Ethernet Injector

65W IEEE 802.3bt 1G/2.5G/5G/10G

Environment and EMC

Operating Temperature	-10°C ~ +40°C
Shipping/Storage Temperature	-25°C ~ +65°C
Operating Humidity	5% ~ 90%
Shipping/Storage Humidity	5 ~ 90% (Non-Condensing)
Operating Altitude	-500 ~ 10000 feet
Electrostatic Discharge (ESD) Per IEC-61000-4-2	Contact discharge : ±6KV Air discharge : ±8KV Criterion B
Radiated Immunity (RS) Per IEC-61000-4-3	3V/m, 80%AM, 1 kHz, 80MHz-1GHz; Criterion A
Electric Fast Transients (EFT) Per IEC-61000-4-4	+/-1kV on input power lines; Criterion B
Lightning Surge Immunity Per IEC-61000-4-5 AC Input Port	1.2/50 µs / 8/20 µs combination wave +/-6kV from line to line, Generator impedance : 2ohm; Criterion B +/-6kV line to earth, Generator impedance : 12ohm; Criterion B
Lightning Surge Immunity Per EN55024/EN55035 RJ45 PoE Port	10/700 µs wave +/-2kV all lines to earth
Conducted Immunity (CS) Per IEC-61000-4-6	3V, 80%AM, 1kHz, 150 kHz-80MHz; Criterion A
Dielectric Withstand Voltage (HI-POT)	3000Vac RMS from AC Input to Output
Leakage Current	<250uA at 264 Vac
Insulation Resistance	DC 500V 10M ohm minimum
Electromagnetic Interference (EMI)	CISPR 32/EN55032 Class B FCC Part 15 Class B
MTBF	200k hours of continuous operation at 25°C
Safety	UL, CE, CCC, UKCA, IEC/UL/EN 62368

Protections

Overvoltage	Auto-Recovery
Overload / Overcurrent	Auto-Recovery
Over Temperature	Auto-Recovery
Short Circuit	Auto-Recovery

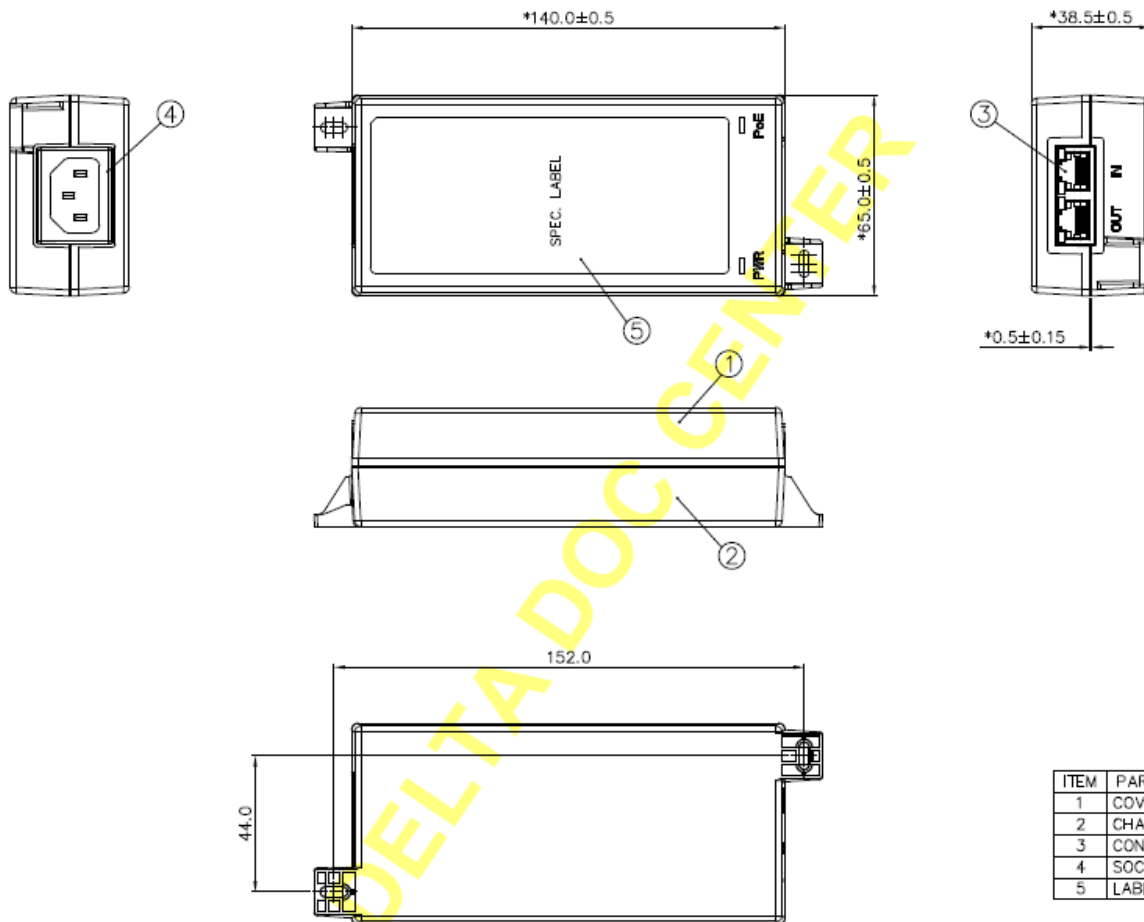
Delta Single Port Power over Ethernet Injector

65W IEEE 802.3bt 1G/2.5G/5G/10G

Mechanical

Color	Black
Outline Dimensions (L x W x D)	140 * 65 * 38.5 mm
AC Inlet Type	Socket C14 Type
Input Data Connector	10/100/1000/2500/5000/0000 Base-T RJ45
Output Power + Data Connector	10/100/1000/2500/5000/10000 Base-T RJ45
Output Connector Pin Assignment and Polarity	Pin 3,6 / 4,5 (+), Pin 1,2 / 7,8 (-)

Mechanical (65W)



ITEM	PART NAME	COLOR
1	COVER	BLACK
2	CHASSIS	BLACK
3	CONNECTOR(RJ45)	NATURAL
4	SOCKET	BLACK
5	LABEL	BLACK