

Compact PCI Power Supplies



AC/DC, DC/DC 300W-600W

The CPCI series consists of the industry's leading Compact PCI AC/DC power supplies, delivering up to 600W continuous power.

Our full range of compact-PCI products are compliant with the PICMG® 2.11 power interface specification using the standard positronic 47-pin connector.

These power supplies incorporate active power factor correction, 85-264VAC universal or DC-input models, covering a range of voltages from 18-72VDC, making them ideal for use in a wide variety of applications.

Very high efficiency and power density results from the use of advanced component and topologies such as synchronous rectification, low profile transformers and SMT components. The Advice unique design uses two converters in parallel, one for the +3.3V channel and the other for the +5V channel, and this gives the user the flexibility to determine unique load requirements for each channel separately. Additionally, full load can be drawn from each channel independently.

The CPCI series provides design engineers with the flexibility they need to meet any design requirements.

The factory-fitted I²C module allows remote monitoring of key status functions via the system management bus.

Monitored functions include the voltage and current levels of the CPCI outputs and the status of "fault" and "inhibit" signals.

The module fits into the power supply housing, and so no additional rack space is required to implement these M&C functions.

In our 3U units, as part of our standard configuration, there is a built-in I²C bus pre-programmed for static parameters. This provides useful data for maintenance and technical support.

Features

- 300W 3U AC and DC models
- 600W 6U AC and DC models
- Fully compliant with PICMG® 2.11
- High power density
- Current share and hot swap operation - built-in ORing diodes
- 16ms hold-up time at full load
- Very high efficiency
- Meets conducted and radiated emission testing as per EN-55022 class B requirements with an external mains front end filter
- No minimum load requirements
- Remote status monitoring capabilities - I²C data bus (6U units)
- "Ultra" wide range DC input models (18-36VDC & 36-72VDC)
- Ruggedized military-use option

Benefits

- Cost effective
- High output power- leaves "room for future growth"
- Built-in current sharing and N+1 redundancy
- Operational in extreme environmental conditions
- High MTBF

Advantages

Availability- All standard products are typically in stock with 3 strategically supply centers located in USA, UK & ISRAEL

We supply customer requirements from inventory.

On site application engineering, our global pre and post sales engineering support is always ready to assist customers with product definition. application engineering, product integration, testing and design verification.

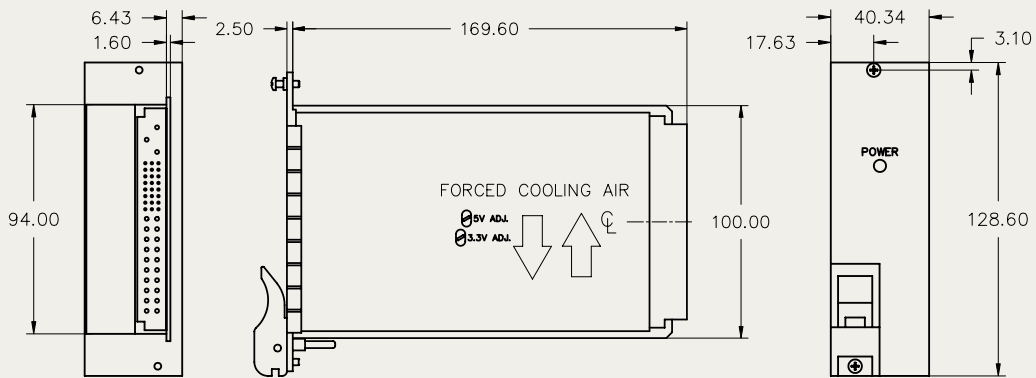
Quick product turn around- we will provide customers with product samples within 2 weeks from their request.

All under one roof- from concept to production, all is done in house- at Advice with over 30 years of experience in power systems design for military and commercial applications.

Advice leads the market with innovative power solutions.

Model	Advice Part	Input	V1/II	V2/12	V3/13	V4/14	Max Power
3U CompactPCI Family							
CPCI-AC-3U-200	900-3002-01	AC wide range	5V/25A	3.3V/35A	+12V/3A	-12V/0.5A	200W
CPCI-AC-3U-250	900-3002-01xx	48Vdc	5V/25A	3.3V/35A	+12V/3A	-12V/0.5A	250W
CPCI-DC-3U-200	900-3003-01	48Vdc	5V/25A	3.3V/35A	+12V/3A	-12V/0.5A	200W
CPCI-DC-3U-200/24	900-3011-01	24Vdc	5V/25A	3.3V/35A	+12V/3A	-12V/0.5A	200W
CPCI-DC-3U-300/24	900-4011-01	24Vdc	5V/30A	3.3V/40A	+12V/5A	-12V/0.5A	300W
CPCI-AC- 3U-300/R	900-4602-0000 Rugged	24Vdc	5V/30A	3.3V/40A	+12V/5A	-12V/0.5A	300W
CPCI-AC-3U-300	900-4002-01	AC wide range	5V/30A	3.3V/40A	+12V/5A	-12V/0.5A	300W
CPCI-DC-3U-300	900-4003-01	48Vdc	5V/30A	3.3V/40A	+12V/5A	-12V/0.5A	300W
CPCI-DC-3U-300/24/R	900-4611-01 Rugged	48Vdc	5V/30A	3.3V/40A	+12V/5A	-12V/0.5A	300W
6U CompactPCI Family							
CPCI-DC-6U-350/24	900-6001-01	24Vdc	5V/50A	3.3V/60A	+12V/7A	-12V/1.5A	350W
CPCI-AC-6U-400	900-6002-01	AC wide range	5V/50A	3.3V/80A	+12V/7A	-12V/1.5A	400W
CPCI-DC-6U-400	900-6003-01	48Vdc	5V/50A	3.3V/80A	+12V/7A	-12V/0.5A	400W
CPCI-AC-6U-500	900-7002-01	AC wide range	5V/65A	3.3V/80A	+12V/12A	-12V/1.5A	500W
CPCI-DC-6U-500	900-7003-01	48Vdc	5V/65A	3.3V/80A	+12V/12A	-12V/1.5A	500W
CPCI-AC-6U-600	900-7102-01	AC wide range	5V/65A	3.3V/80A	+12V/12A	-12V/1.5A	600W
CPCI-DC-6U-600	900-7103-01	48Vdc	5V/65A	3.3V/80A	+12V/12A	-12V/1.5A	600W
CPCI-AC-6U-400/R	900-6620-0000 Rugged	AC wide range	5V/50A	3.3V/80A	+12V/7A	-12V/1.5A	400W
CPCI-AC-6U-400/M	900-7602-0000 Military	AC wide range	5V/50A	3.3V/70A	+12V/7A	-12V/1.5A	400W
CPCI-DC-6U-400/24/R	900-6601-0000 Rugged	24Vdc	5V/50A	3.3V/60A	+12V/7A	-12V/1.5A	400W

3U Model Outline Drawing



6U Model Outline Drawing

