

Specification for approval

Description(产品类型):	Encapsulated transformer
Customer(客户)p/n:	
ZETTLER(赛特勒) p/n:	BV20XXXX003A
Revision(版本号):	A4
页 数/Page:	7

Drafted(制作): Li xiaoxu

Checked(审核): Chen chaolu

Approved(确认): He zongnian



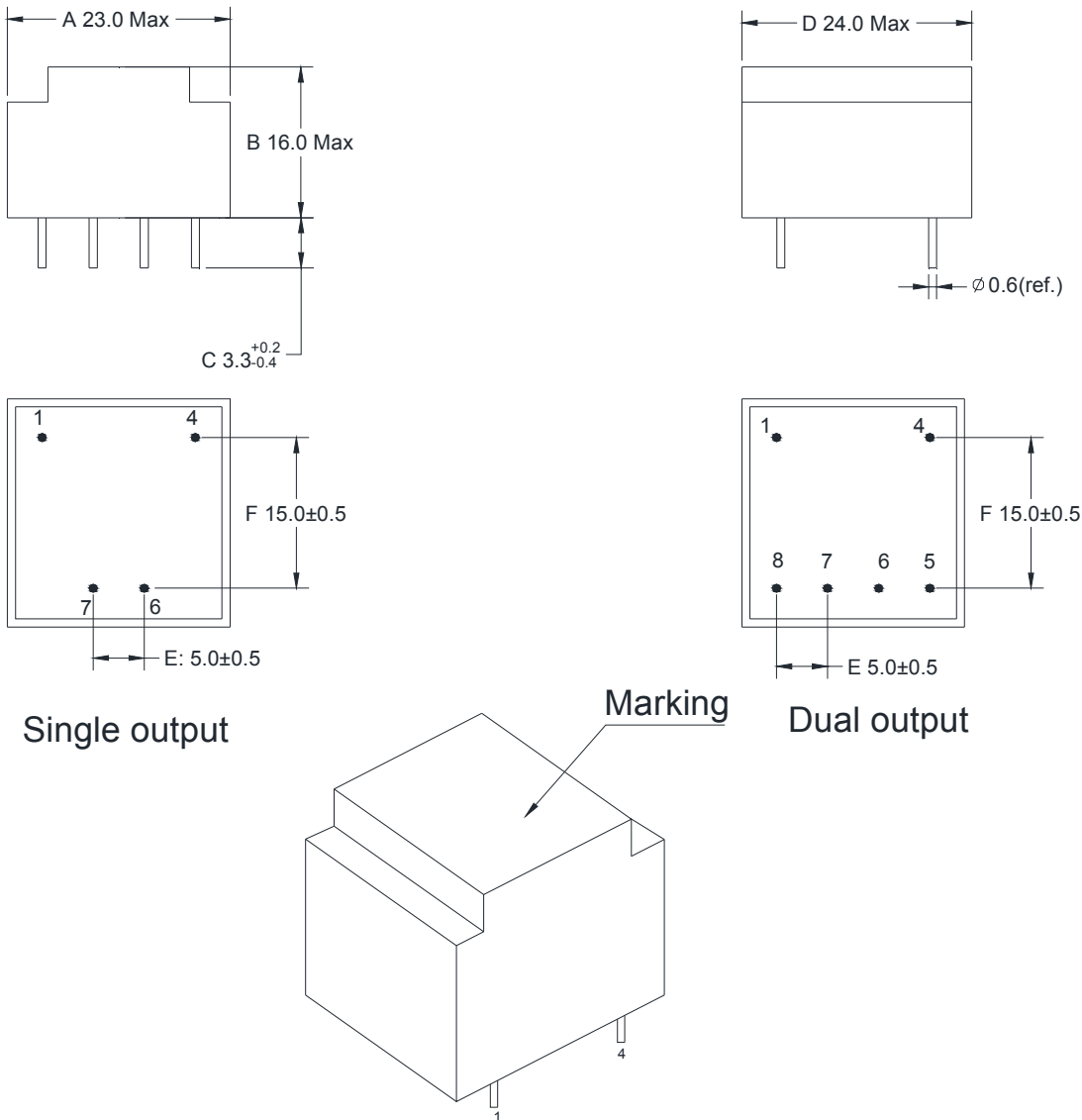
Rev.	Date	Description	Approved
A4	2022/7/15	Add BOM. Add VDE and UL ambient TEMP. in the precautions for use Add UL and VDE file numbers	Li xiaoxu
A3	2022/6/29	Add VDE ambient TEMP. in the marking	Li xiaoxu
A2	2022/3/4	Remove not CE conform parts for EU market	Stöckel
A1	2020/12/28	Merge the data code into the marking	Li xiaoxu
Rev.	Date	Description	Approved

Approved by Customer (客户确认) : _____

Friendly Reminder: Please help to sign this Spec when approve , and fax to our company .Or else, we will consider you have accepted it and make future order based on this Spec.

友情提示:请在签字确认后,按封面的传真号码回传给赛特勒磁电有限公司.如无回传,则视为默认,后续的相关订单将以按本承认书的规定为技术要求.

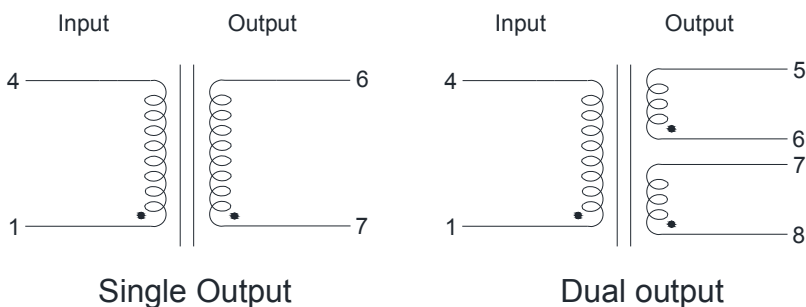
1、OUTLINE DRAWING(外形图):UNIT(单位): mm



Notes :

- ◆ PCB opening aperture is recommended to be 1.1mm; (建议 PCB 开孔孔径为 1.1mm)
- ◆ If PIN layout and footprint have slightly deviation, please refer to actual PCB assembly, the ones can be normally inserted into PCB is qualified . (PIN 距、排距尺寸测量有偏差时, 以 PCB 下板实装确认, 可正常下板为合格)
- ◆ The Pin length doesn't include the solder tip (PIN 脚长度不包括锡尖)

2、SCHEMATIC(原理图):



3、Marking (标签图)

 ZETTLER Magnetics BV202S06003A PRI:1-4 230VAC 50/60Hz SEC:6-7 E214561 6VAC 58mA VDE:ta 50/B	 ZETTLER Magnetics BV202S09003A PRI:1-4 230VAC 50/60Hz SEC:6-7 E214561 9VAC 38.9mA VDE:ta 50/B	 ZETTLER Magnetics BV202S10003A PRI:1-4 230VAC 50/60Hz SEC:6-7 E214561 10VAC 35mA VDE:ta 50/B	 ZETTLER Magnetics BV202S12003A PRI:1-4 230VAC 50/60Hz SEC:6-7 E214561 12VAC 29mA VDE:ta 50/B	 ZETTLER Magnetics BV202S15003A PRI:1-4 230VAC 50/60Hz SEC:6-7 E214561 15VAC 23.3mA VDE:ta 50/B	 ZETTLER Magnetics BV202S18003A PRI:1-4 230VAC 50/60Hz SEC:6-7 E214561 18VAC 19.4mA VDE:ta 50/B	 ZETTLER Magnetics BV202S24003A PRI:1-4 230VAC 50/60Hz SEC:6-7 E214561 24VAC 14.6mA VDE:ta 50/B
BV202S06003A	BV202S09003A	BV202S10003A	BV202S12003A	BV202S15003A	BV202S18003A	BV202S24003A

 ZETTLER Magnetics BV201S06003A PRI:1-4 115VAC 50/60Hz SEC:6-7 E214561 6VAC 58mA VDE:ta 50/B	 ZETTLER Magnetics BV201S09003A PRI:1-4 115VAC 50/60Hz SEC:6-7 E214561 9VAC 38.9mA VDE:ta 50/B	 ZETTLER Magnetics BV201S10003A PRI:1-4 115VAC 50/60Hz SEC:6-7 E214561 10VAC 35mA VDE:ta 50/B	 ZETTLER Magnetics BV201S12003A PRI:1-4 115VAC 50/60Hz SEC:6-7 E214561 12VAC 29mA VDE:ta 50/B	 ZETTLER Magnetics BV201S15003A PRI:1-4 115VAC 50/60Hz SEC:6-7 E214561 15VAC 23.3mA VDE:ta 50/B	 ZETTLER Magnetics BV201S18003A PRI:1-4 115VAC 50/60Hz SEC:6-7 E214561 18VAC 19.4mA VDE:ta 50/B	 ZETTLER Magnetics BV201S24003A PRI:1-4 115VAC 50/60Hz SEC:6-7 E214561 24VAC 14.6mA VDE:ta 50/B
BV201S06003A	BV201S09003A	BV201S10003A	BV201S12003A	BV201S15003A	BV201S18003A	BV201S24003A

 ZETTLER Magnetics BV201D06003A PRI:1-4 115VAC 50/60Hz SEC:5-6 7-8 6VAC 29mA E214561 VDE:ta 50/B	 ZETTLER Magnetics BV201D09003A PRI:1-4 115VAC 50/60Hz SEC:5-6 7-8 9VAC 19.4mA E214561 VDE:ta 50/B	 ZETTLER Magnetics BV201D10003A PRI:1-4 115VAC 50/60Hz SEC:5-6 7-8 10VAC 17.5mA E214561 VDE:ta 50/B	 ZETTLER Magnetics BV201D12003A PRI:1-4 115VAC 50/60Hz SEC:5-6 7-8 12VAC 14.6mA E214561 VDE:ta 50/B	 ZETTLER Magnetics BV201D15003A PRI:1-4 115VAC 50/60Hz SEC:5-6 7-8 15VAC 11.7mA E214561 VDE:ta 50/B
BV201D06003A	BV201D09003A	BV201D10003A	BV201D12003A	BV201D15003A

 ZETTLER Magnetics BV202D06003A PRI:1-4 230VAC 50/60Hz SEC:5-6 7-8 6VAC 29mA E214561 VDE:ta 50/B	 ZETTLER Magnetics BV202D09003A PRI:1-4 230VAC 50/60Hz SEC:5-6 7-8 9VAC 19.4mA E214561 VDE:ta 50/B	 ZETTLER Magnetics BV202D10003A PRI:1-4 230VAC 50/60Hz SEC:5-6 7-8 10VAC 17.5mA E214561 VDE:ta 50/B	 ZETTLER Magnetics BV202D12003A PRI:1-4 230VAC 50/60Hz SEC:5-6 7-8 12VAC 14.6mA E214561 VDE:ta 50/B	 ZETTLER Magnetics BV202D15003A PRI:1-4 230VAC 50/60Hz SEC:5-6 7-8 15VAC 11.7mA E214561 VDE:ta 50/B
BV202D06003A	BV202D09003A	BV202D10003A	BV202D12003A	BV202D15003A

YY:Year WW:Week

4-1、ELECTRICAL SPECIFICATION(电气特性测试)(Single Output 单输出):

ITEM (项目)	EXCITATION CURRENT 空载电流(mA) Max	LOSS POWER 空载损耗 (W) Max	RATED LOAD VOLTAGE 负载电压 (V)	NO LOAD VOLTAGE 空载电压(V) max	HI-POT VOLTAGE 耐压	INSULATION RESISTANCE 绝缘阻抗	RESISTANCE 直流电阻(Ω)	
测试条件 TEST CONDITION	Input 输入:115V 50Hz		Input 输入:115V 50Hz		1mA/1S/ 50Hz	DC 500V 100MΩ	Ta=25°C	
端子 TERMINAL	1--4		6--7	6--7	P--S	P--S	1--4	6--7
BV201S06003A	25	1.5	6±10%@ 58mA	9.7	2800V	DC 500V 100MΩ MIN	3350±30%	25 ± 30%
BV201S09003A	25	1.5	9±10%@ 38.9mA	14.7			3350±30%	58 ± 30%
BV201S10003A	25	1.5	10±10%@ 35mA	15.7			3350±30%	70 ± 30%
BV201S12003A	25	1.5	12±10%@ 29mA	20			3350±30%	100.6 ± 30%
BV201S15003A	25	1.5	15±10%@ 23.3mA	24.5			3350±30%	170 ± 30%
BV201S18003A	25	1.5	18±10%@ 19.4mA	27.5			3350±30%	211.3 ± 30%
BV201S24003A	25	1.5	24±10%@ 14.6mA	36.5			3350±30%	401.2 ± 30%
测试条件 TEST CONDITION	Input 输入:230V 50Hz		Input 输入:230V 50Hz				1mA/1S/ 50Hz	DC 500V 100MΩ
端子 TERMINAL	1--4		6--7	6--7	P--S	P--S	1--4	6--7
BV202S06003A	12	1.5	6±10%@ 58mA	9.7	4200V	DC 500V 100MΩ MIN	14000±30%	25 ± 30%
BV202S09003A	12	1.5	9±10%@ 38.9mA	14.7			14000±30%	58 ± 30%
BV202S10003A	12	1.5	10±10%@ 35mA	15.7			14000±30%	70 ± 30%

BV202S12003A	12	1.5	12±10%@ 29mA	20			14000±30%	100.6±30%
BV202S15003A	12	1.5	15±10%@ 23.3mA	24.5			14000±30%	170±30%
BV202S18003A	12	1.5	18±10%@ 19.4mA	27.5			14000±30%	211.3±30%
BV202S24003A	12	1.5	24±10%@ 14.6mA	36.5			14000±30%	401.2±30%

4-2、ELECTRICAL SPECIFICATION(电气特性测试)(Dual output 双输出):

ITEM (项目)	EXCITATION CURRENT 空载电流(mA) Max	LOSS POWER 空载损耗 (W) Max	RATED LOAD VOLTAGE 负载电压 (V)	NO LOAD VOLTAGE 空载电压 (V) max	HI-POT VOLTAGE 耐压	INSULATION RESISTANCE 绝缘阻抗	RESISTANCE 直流电阻(Ω)		
测试条件 TEST CONDITION	Input 输入:115V 50Hz		Input 输入:115V 50Hz		1mA/1S/ 50Hz	DC 500V 100MΩ	Ta=25℃		
端子 TERMINAL	1--4		5--6 7--8	5--6 7--8	P--S	P--S	1--4	5--6	7--8
BV201D06003A	25	1.5	2×6±10% @ 2×29mA	2×9.7	2800V	DC 500V 100MΩ MIN	3350±30%	46±30%	56±30%
BV201D09003A	25	1.5	2×9±10% @ 2×19.4mA	2×14.7			3350±30%	106± 30%	130±30%
BV201D10003A	25	1.5	2×10±10% @ 2×17.5mA	2×15.7			3350±30%	130± 30%	156±30%
BV201D12003A	25	1.5	2×12±10% @ 2×14.6mA	2×20			3350±30%	187.7± 30%	220.9± 30%
BV201D15003A	25	1.5	2×15±10% @ 2×11.7mA	2×24.5			3350±30%	299.5± 30%	375±30%

测试条件 TEST CONDITION	Input 输入:230V 50Hz		Input 输入:230V 50Hz		1mA/1S/ 50Hz	DC 500V 100MΩ	Ta=25°C		
端子 TERMINAL	1--4		5--6 7--8	5--6 7--8	P--S	P--S	1--4	5--6	7--8
BV202D06003A	12	1.5	2×6±10% @ 2×29mA	2×9.7	4200V	DC 500V 100MΩ MIN	14000±30%	46±30%	56±30%
BV202D09003A	12	1.5	2×9±10% @ 2×19.4mA	2×14.7			14000±30%	106±30%	130±30%
BV202D10003A	12	1.5	2×10±10% @ 2×17.5mA	2×15.7			14000±30%	130±30%	156±30%
BV202D12003A	12	1.5	2×12±10% @ 2×14.6mA	2×20			14000±30%	187.7± 30%	220.9± 30%
BV202D15003A	12	1.5	2×15±10% @ 2×11.7mA	2×24.5			14000±30%	299.5± 30%	375± 30%

5、PRECAUTIONS FOR USE (产品使用注意事项):

Ambient temperature range(使用环境温度范围): -25~+50°C

Storage temperature range(保存温度范围): -25~+85°C

Ambient TEMP.(VDE): ta 50/B

Ambient TEMP.(UL): ta 25/B

UL 认证号/ UL file No.: E214561 class2/3

VDE 认证号/VDE file No.: 40032785

6. BOM (材料表):

NO. 序号	MATERIAL TYPE 材料名称	DESCRIPTION 规格描述	SUPPLIERS 供应商	UL NO. 认证号
1	BOBBIN	PBT 4130 94V-0	CHANG CHUN PLASICS CO LTD	E59481
		PA66 A3X2G5, (94-V0)	BASF SE	E41871
2	CASE	PBT 4130 94V-0	CHANG CHUN PLASICS CO LTD	E59481
		PA66 A3X2G5, (94-V0)	BASF SE	E41871
3	WIRE	UEW	ELEKTRISOLA HANGZHOU CO LTD TA YA ELECTRIC LTD YICHI NingBo XINJIAN ELECTRONICS INDUSTRY CO., LTD	E258243 E197768 E363385 E197317
4	GLUE	PU552FL	WEVO-CHEMIE GMBH	E108835
		7800AR(*)/7800BR(#)	WUXI EAST-GRACE ELECTRONIC MATERIAL TECHNOLOGY CO LTD	E309982