





RoHS Compliant

SPECIFICATION FOR REFERENCE

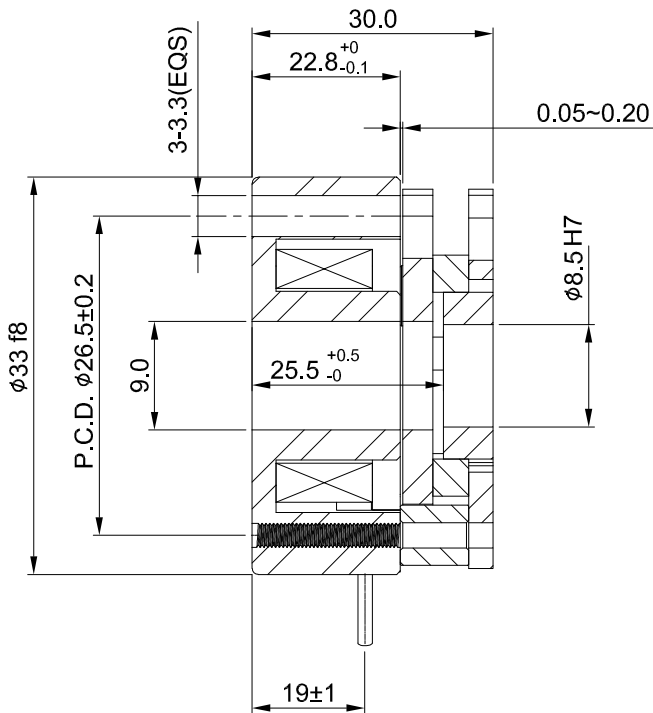
TO : --

PAGE : 1 / 2

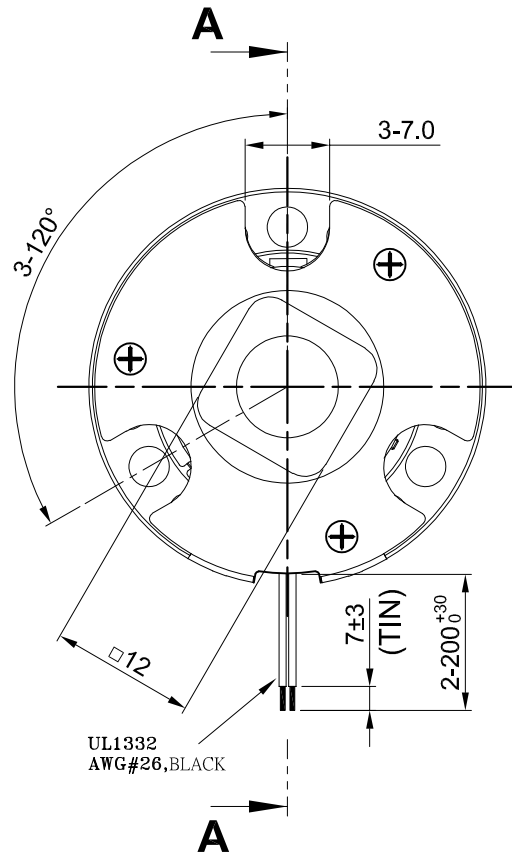
CUSTOMER PART NO. -	REV. -	DELTA PART NO. DBGE-S033085-24	ISSUED DATE MAY.10,2024	TEMP(°C) 25±2°C
PART NAME DC BRAKE	Q'TY -	DELTA REV. X00	USED ON -	HUM(%RH) 58

Unit: mm  
Tolerance:  
X.X : ±0.2  
X.XX : ±0.1

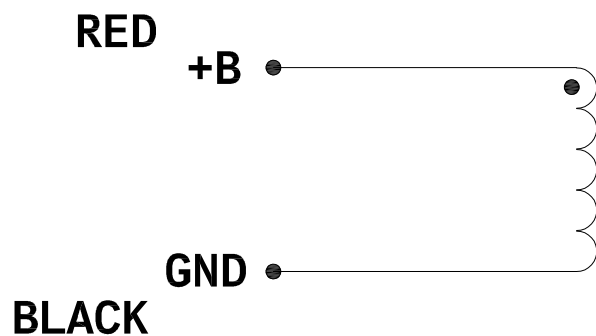
1. MECHANICAL STRUCTURE :



SECTION A-A



2. SCHEMATIC :





RoHS Compliant

## SPECIFICATION FOR REFERENCE

TO : --

PAGE : 2 / 3

CUSTOMER PART NO. -	REV. -	DELTA PART NO. DBGE-S033085-24	ISSUED DATE MAY.10,2024	TEMP(°C) 25±2°C
PART NAME DC BRAKE	Q'TY -	DELTA REV. X00	USED ON -	HUM(%RH) 58

## 2. CHARACTERISTICS :

## TYPE: SPRING ACTUATED BRAKE

Delta part number		DBGE-S033085-24	
ITEM	DESCRIPTION	SPECIFICATIONS	REMARK
01	Rated	Continue	
02	Rated Voltage	24 VDC	
03	Rated Continue Current	0.258 A	AT 20°C
04	Coil Resistance	93 Ω ±10%	AT 20°C
05	Holding Wattage	6.2 W	AT 20°C
06	Coil Thermal Class	H	
07	Insulation Resistance	More than 100MΩ, 500VDC	
08	Insulation Withstanding Voltage	1.2 kV AC(50Hz), 1s Leak current 3.5mA Max.	
09	Maximum Pull in Voltage	≅ 16 VDC	AT 20°C
10	Maximum pull in current	≅ 0.17 A	AT 20°C
11	Minimum Release voltage	≅ 1 VDC	AT 20°C
12	Release current	≅ 0.01 A	AT 20°C
13	Static Friction Torque	0.35 N-m Min.	AT 20°C
14	Rated Air Gap	0.05 mm - 0.20 mm	
15	Allowable Braking Energy	17 J	
16	Total Braking Energy	3400 J	
17	Response time	Armature pull in time ≅ 50 ms	AT 24 VDC
		Armature release time ≅ 20 ms	
18	Backlash	1.5° or less	
19	Moment of inertia	1.35 x 10 <sup>-7</sup> kg-m <sup>2</sup>	Reference
20	Coil temperature rise	≅ 70°C	
21	Acoustical Noise (AVG.)	≅ 60dB(A)	



RoHS Compliant

## SPECIFICATION FOR REFERENCE

TO : --

PAGE : 3 / 3

<b>CUSTOMER PART NO.</b> -	<b>REV.</b> -	<b>DELTA PART NO.</b> DBGE-S033085-24	<b>ISSUED DATE</b> MAY.10,2024	<b>TEMP(°C)</b> 25±2°C
<b>PART NAME</b> DC BRAKE	<b>Q'TY</b> -	<b>DELTA REV.</b> X00	<b>USED ON</b> -	<b>HUM(%RH)</b> 58

## 3. CHARACTERISTICS :

Delta part number		DBGE-S033085-24	
ITEM	DESCRIPTION	SPECIFICATIONS	REMARK
22	Ambient temperature	-20°C ~ +100°C	
23	Ambient humidity	≤ 85%RH	
24	Normal Operation	1,000,000 times Min.	
25	Emergency Operation	200 times Min.	
26	Max. Rotational Speed	6000 min <sup>-1</sup>	