



RoHS Compliant

SPECIFICATION FOR REFERENCE

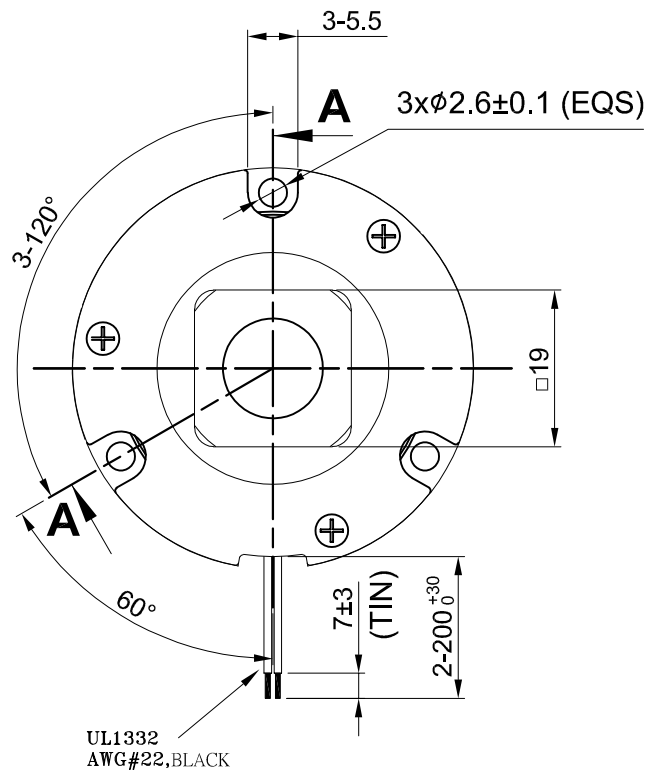
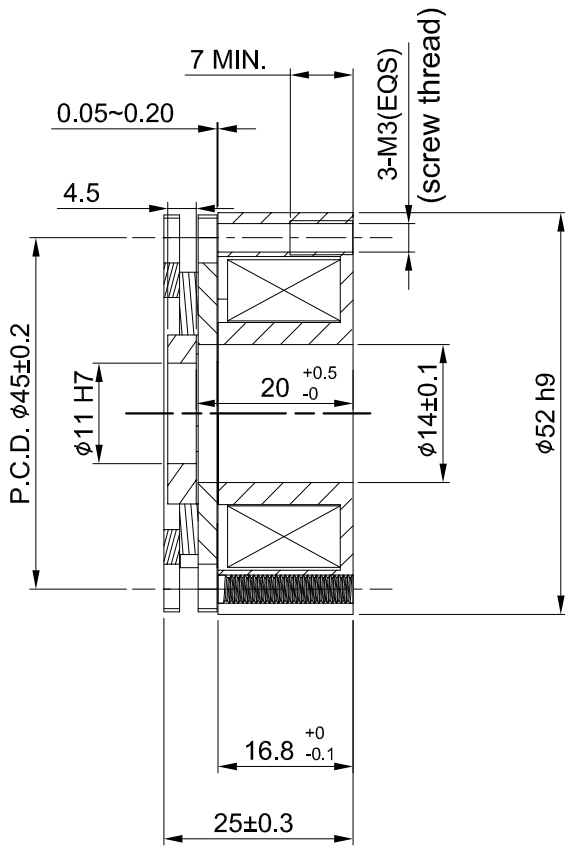
TO : --

PAGE : 1 / 3

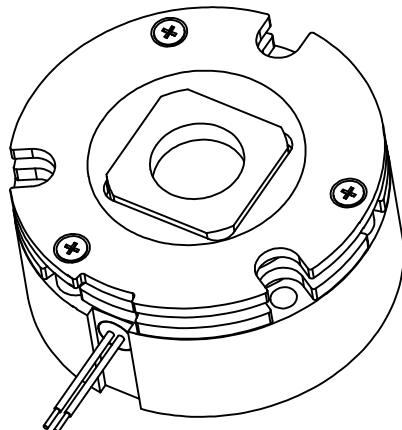
CUSTOMER PART NO. -	REV. -	DELTA PART NO. DBGE-S052140-24	ISSUED DATE MAY.10,2024	TEMP(°C) 25±2°C
PART NAME DC BRAKE	Q'TY -	DELTA REV. X00	USED ON -	HUM(%RH) 58

1. MECHANICAL STRUCTURE :

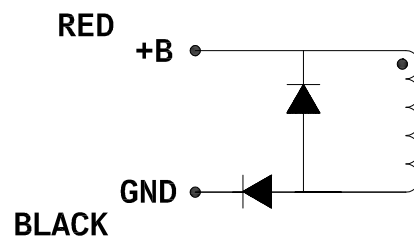
Unit: mm
Tolerance:
X.X : ±0.2
X.XX : ±0.1



SECTION A-A



2. SCHEMATIC :





RoHS Compliant

SPECIFICATION FOR REFERENCE

TO : --

PAGE : 2 / 3

CUSTOMER PART NO. -	REV. -	DELTA PART NO. DBGE-S052140-24	ISSUED DATE MAY.10,2024	TEMP(°C) 25±2°C
PART NAME DC BRAKE	Q'TY -	DELTA REV. X00	USED ON -	HUM(%RH) 58

2. CHARACTERISTICS :

TYPE: SPRING ACTUATED BRAKE

Delta part number		DBGE-S052140-24	
ITEM	DESCRIPTION	SPECIFICATIONS	REMARK
01	Rated	Continue	
02	Rated Voltage	24 VDC	
03	Rated Continue Current	0.32 A	AT 20°C
04	Coil Resistance	75.6 Ω ±10%	AT 20°C
05	Holding Wattage	7.6 W	AT 20°C
06	Coil Thermal Class	H	
07	Insulation Resistance	More than 100MΩ, 500VDC	
08	Insulation Withstanding Voltage	1.2 kV AC(50Hz), 1s Leak current 3.5mA Max.	
09	Maximum Pull in Voltage	≤ 16 VDC	AT 20°C
10	Maximum pull in current	≤ 0.21 A	AT 20°C
11	Minimum Release voltage	≥ 1 VDC	AT 20°C
12	Release current	≥ 0.01 A	AT 20°C
13	Static Friction Torque	1.6 N-m Min.	AT 20°C
14	Rated Air Gap	0.05 mm - 0.20 mm	
15	Allowable Braking Energy	115 J	
16	Total Braking Energy	2.3 x 10 ⁴ J	
17	Response time	Armature pull in time ≤ 80 ms	AT 24 VDC
		Armature release time ≤ 20 ms	
18	Backlash	1° or less	
19	Moment of inertia	1.45 x 10 ⁻⁶ kg-m ²	Reference
20	Coil temperature rise	≤ 70°C	
21	Acoustical Noise (AVG.)	≤ 60dB(A)	



RoHS Compliant

SPECIFICATION FOR REFERENCE

TO : --

PAGE : 3 / 3

CUSTOMER PART NO. -	REV. -	DELTA PART NO. DBGE-S052140-24	ISSUED DATE MAY.10,2024	TEMP(°C) 25±2°C
PART NAME DC BRAKE	Q'TY -	DELTA REV. X00	USED ON -	HUM(%RH) 58

3. CHARACTERISTICS :

Delta part number		DBGE-S052140-24	
ITEM	DESCRIPTION	SPECIFICATIONS	REMARK
22	Ambient temperature	-20°C ~ +100°C	
23	Ambient humidity	≤ 85%RH	
24	Normal Operation	1,000,000 times Min.	
25	Emergency Operation	200 times Min.	
26	Max. Rotational Speed	6000 min ⁻¹	