



- Selectable AC input
- Protections: Short circuit / Overload / Over voltage/ Over temperature
- Cooling by free air convection
- Can be installed on DIN rail TS-35/7.5 or 15
- 100% full load burn-in test
- LED indicator for power on
- UL508 (industrial control equipment) approved
- Fixed switching frequency at 55KHz



Model Number	Output Volts	Output Amps	Min Load	Efficiency	Ripple and Noise	DC Volt Adjust	OVP	OTP
<b>SINGLE OUTPUT</b>								
DR120-12	12 Volts(DC)	10 Amps	0 ~ 10Amps	80%	80mVpk-pk	12~14V	15~16.5V	85°C ±5°C
DR120-24	24 Volts(DC)	5 Amps	0 ~ 5Amps	84%	80mVpk-pk	24~28V	29~33V	90°C ±5°C
DR120-48	48 Volts(DC)	2.5 Amps	0 ~ 2.5Amps	85%	100mVpk-pk	48~53V	58~65V	90°C ±5°C

**INPUT SPECIFICATIONS**

Input Voltage Range	88~132 / 176-264VAC by Switch (248-370VDC)
Frequency Range	47-63 Hz
Inrush Current, typ: (cold start)	20 Amps @ 115VAC 40 Amps @ 230VAC
Input Current	2.6 Amps. @ 115VAC 1.6 Amps. @ 230VAC
Leakage current	<3.5mA / 240VAC

**OUTPUT SPECIFICATIONS**

Voltage and Current	See Selection Chart
Line Regulation	± 0.5% max
Load Regulation	± 1%
Voltage Tolerance (Note 2)	± 2% 12Volts(DC) only ± 1% 24~48Volts(DC)
Ripple/Noise (Note 1)	See Selection Chart
Hold Up Time @ FL	36mS @ 230VAC 32ms @115VAC
Setup, Rise Time @ FL	500ms, 70ms
Over Load Protection	105~160% rated output power Constant current limit, auto recover
Over Voltage Protection	See Selection Chart Shut down o/p voltage, re-power
Over Temperature Protection	See Selection Chart Shut down o/p voltage, re-power
DC Voltage Adjust	See Selection Chart

All specifications are typical at 230V input, full load, and 25°C unless otherwise noted

**GENERAL SPECIFICATIONS**

Safety	UL508, UL60950-1 TUV EN60950-1 approved
Isolation Resistance	I/p=O/P, I/P-FG, O/P-FG ≥100MΩ, 500VDC, 25°C, 70% RH
EMC Emissions (Note 3)	Compliance to EN55011, EN55022 (CISPR22) Class B, EN61000-3-2,-3
EMC Immunity (Note 3)	Compliance to EN61000-4-2,3,4,5,6, 8,11, EN55024, EN61000-6-2 (EN50082-2), Heavy Industry Level, Criteria A
Isolation	3000VAC Input - Output 1500VAC Input - Ground 500VAC Output - Ground

**ENVIRONMENTAL SPECIFICATIONS**

Oper. Temperature	-10°C to +60°C (See Derate Curve)
Storage Temperature	-20°C to +85°C, 10~95% RH
Relative Humidity	20 to +90% RH non cond
Temperature Coefficient	0.03% / °C (0-50°C)
MTBF	432.1KHrs, MIL-HDBK-217F, 25°C
Vibration	10~500Hz, 2G 10min./1cycle, 60min. each along X, Y, Z axes
Mounting:	Compliance to IEC60068-2-6

**PHYSICAL SPECIFICATIONS**

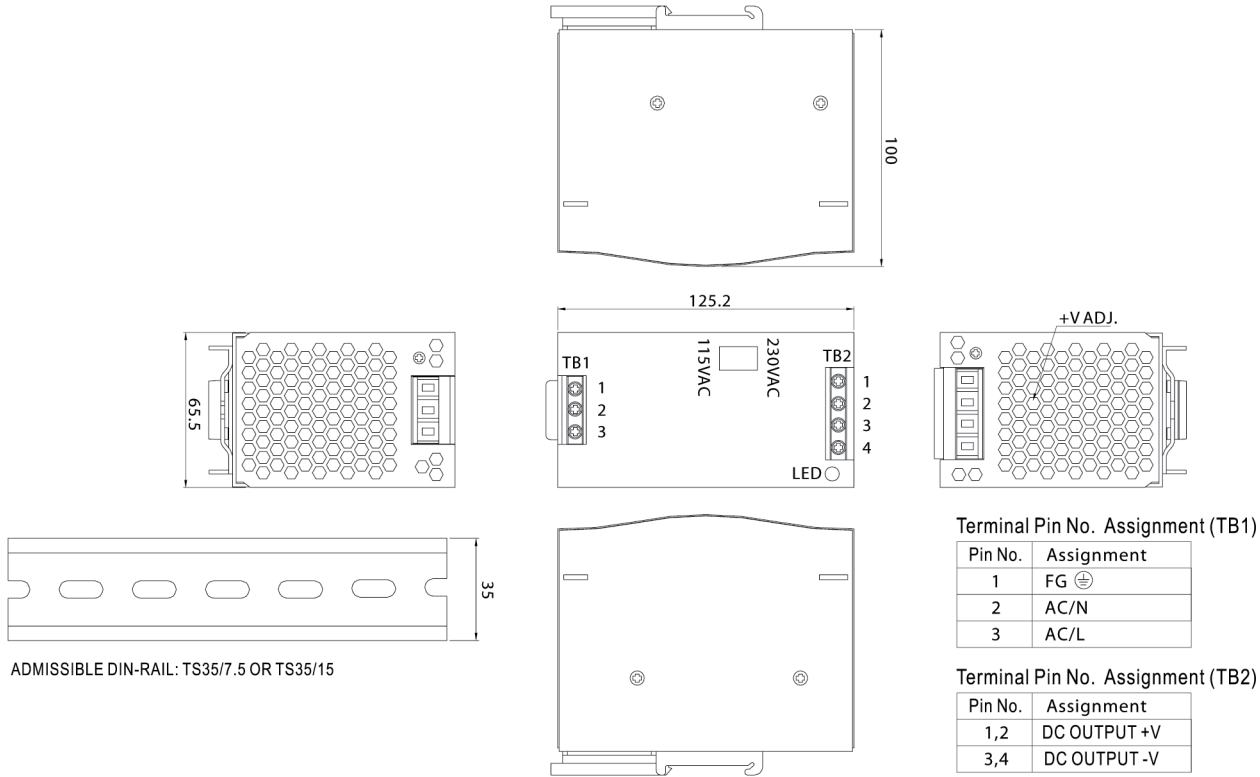
Size	
Millimeters	65.5 x 125.2 x 100
Inches	2.58" x 4.93" x 3.94"
Weight	27.87 oz (790g)

**NOTE**

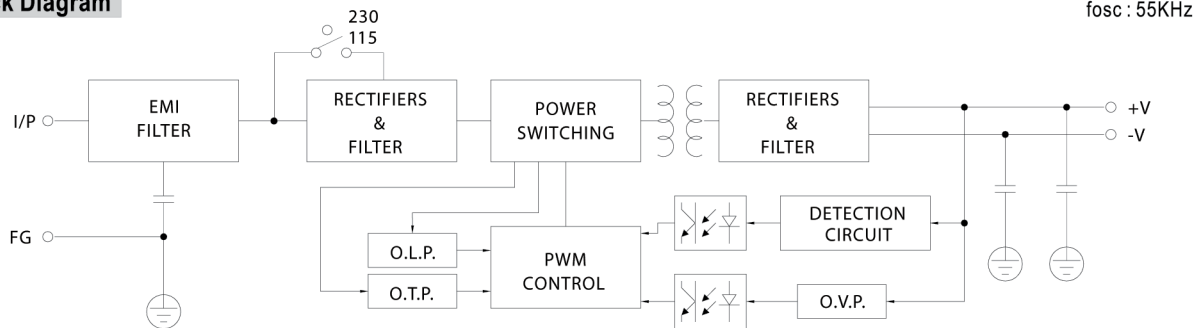
1. Ripple & Noise are measured at 20MHz of bandwidth by using a 12" twisted pair-wire terminated with a 0.1uf & 47uf parallel capacitor.
2. Tolerance: includes set up tolerance , line regulation and load regulation.
3. The power supply is considered a component to be installed in an end application. The application should be checked to EMC Directives.

**Mechanical Specification**

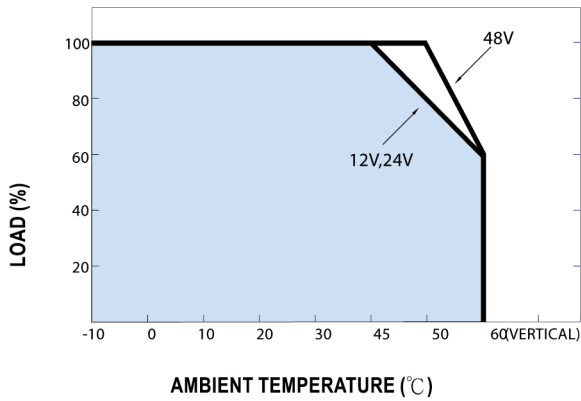
Case No. 921A Unit:mm



**Block Diagram**



■ Derating Curve



■ Static Characteristics (24V)

