

# PMR Panel Mount Power Supply

## PMR 320 W series / PMR-□V320W1AT

# PMR

### Highlights & Features

- Universal AC input voltage
- Built-in active PFC and conforms to harmonic current IEC/EN 61000-3-2, Class A and Class D
- No load power consumption < 0.5 W
- Low profile design: 30 mm height
- Household appliance approvals according to IEC/EN 60335-1, IEC/EN 61558-1 and IEC/EN 61558-2-16
- Wide operating temp -30°C ~70°C (Support -40°C cold start)



### Safety Standards



CB Certified for worldwide use

<b>Model Number:</b>	PMR-□V320W1AT
<b>Unit Weight:</b>	0.643 kg (1.42 lb)
<b>Dimensions (L x W x H):</b>	215 x 115 x 30 mm (8.46 x 4.53 x 1.18 inch)

### General Description

PMR Series 320W power supply offers the nominal output voltage of 12 V/24 V/36 V/48 V across a wide operating temperature range from -30°C to +70°C and obtains shock and vibration certification IEC 60068-2. The product is designed in a 30 mm low profile and comes with a universal AC input voltage ranging from 90 Vac to 264 Vac. The PMR series is made for installation in limited spaces. Its built-in active PFC circuit provides high power factor values and conforms to harmonic current emission standards IEC/EN 61000-3-2, Class A and Class D.

### Model Information

PMR Panel Mount Power Supply

Model Number	Input Voltage Range	Rated Output Voltage	Rated Output Current
PMR-12V320W1AT	90-264 Vac	12 Vdc	26.7 A
PMR-24V320W1AT		24 Vdc	13.4 A
PMR-36V320W1AT		36 Vdc	8.9 A
PMR-48V320W1AT		48 Vdc	6.7 A

### Model Numbering

PM	R –	□V	320W	1	A	T
Panel Mount	Product Type R – Built-in PFC Series	Output Voltage 12 – 12 V 24 – 24 V 36 – 36 V 48 – 48 V	Output Power	Single Phase	Family Code: A	Connector Type T – Terminal Block

# PMR Panel Mount Power Supply

## PMR 320 W series / PMR-□V320W1AT

### Specifications

Model Number	PMR-12V320W1AT	PMR-24V320W1AT	PMR-36V320W1AT	PMR-48V320W1AT
--------------	----------------	----------------	----------------	----------------

### Input Ratings / Characteristics

Nominal Input Voltage	100-240 Vac			
Input Voltage Range	90-264 Vac			
Nominal Input Frequency	50-60 Hz			
Input Frequency Range	47-63 Hz			
Input Current	3.8 A typ. @ 115 Vac, 1.8 A typ. @ 230 Vac			
Efficiency at 100% Load @ 230Vac	90.5% typ.	91.0% typ.	91.5% typ.	92.0% typ.
No Load Power Consumption	0.5 W max. @ 230 Vac			
Max Inrush Current (Cold Start)	50 A typ. @ 230 Vac			
Power Factor at 100% Load	> 0.96 @ 115 Vac & > 0.93 @ 230 Vac			
Leakage Current	< 0.75 mA @ 240 Vac			

### Output Ratings / Characteristics\*1

Nominal Output Voltage	12 Vdc	24 Vdc	36 Vdc	48 Vdc
Factory Set Point Tolerance	12 Vdc ± 1%	24 Vdc ± 1%	36 Vdc ± 1%	48 Vdc ± 1%
Output Voltage Adjustment Range	10.8-13.2 Vdc	21.6-26.4 Vdc	32.4-39.6 Vdc	43.2-52.8 Vdc
Output Current	0-26.7 A	0-13.4 A	0-8.9 A	0-6.7 A
Output Power	320.4 W Max.	321.6 W Max.	320.4 W Max.	321.6 W Max.
Line Regulation	± 0.5% typ. @ 115 Vac & 230 Vac			
Load Regulation	±0.5% typ.			
PARD*2 (20 MHz)	< 150 mVpp @ 0°C to 70°C 450 mVpp typ. @ -30°C to 0°C		< 200 mVpp @ 0°C to 70°C 600 mVpp typ. @ -30°C to 0°C	
Rise Time	30 ms typ. @ 115 Vac & 230 Vac			
Start-up Time	500 ms typ. @ 115 Vac & 230 Vac			
Hold-up Time	16 ms typ. @ 115 Vac & 230 Vac			
Dynamic Response (Overshoot & Undershoot O/P Voltage)	± 10% @ 115 & 230 Vac input, 10-100% load (Slew Rate: 2.5 A/μS, 50% duty cycle @ 5 Hz & 10 KHz)			
Start-up with Capacitive Loads	8,000 μF Max	8,000 μF Max	6,000 μF Max	5,000 μF Max

\*1 For power de-rating from > 50°C to 70°C, see power de-rating on page 3.

\*2 PARD is measured with an AC coupling mode, and in parallel to end terminal with 0.1μF ceramic capacitor & 47μF electrolytic capacitor. PSU need to burn in > 5 minutes when AMB ≤ 0°C

# PMR Panel Mount Power Supply

## PMR 320 W series / PMR-□V320W1AT

### Mechanical

Case Chassis	Aluminum
Case Cover	SGCC
Dimensions (L x W x H)	215 x 115 x 30 mm (8.46 x 4.53 x 1.18 inch)
Unit Weight	0.643 kg (1.42 lb)
Indicator	Green LED (DC OK)
Cooling System	Force Cooling
Terminal	M3.5 x 9 Pins (Rated 300 V / 20 A)
Wire	AWG 18-12 Current rating can refer to page 6 "Wire AWG Table"

### Environment

Surrounding Air Temperature	Operating	-30°C to +70°C ( -40°C Cold Start )
	Storage	-40°C to +85°C
Power De-rating	> 50°C de-rate power by 2% / °C < 100Vac de-rate power by 1% / V (90% load @ 90 Vac)	
Operating Humidity	20 to 90% (Non-Condensing)	
Operating Altitude	0 to 5,000 Meters (0 to 16,400 ft)	
Shock Test	Non-Operating	IEC 60068-2-27, Half Sine Wave: 50G for a duration of 11 ms, 3 shocks for each 3 directions
	Operating	IEC 60068-2-27, Half Sine Wave: 10G for a duration of 11 ms, 3 shock for each 3 directions.
Vibration	Non-Operating	IEC 60068-2-6, Random: 5 Hz to 500 Hz (2.09G); 20 min per axis for all X, Y, Z direction
	Operating	IEC 60068-2-6, Sine Wave: 10 Hz to 500 Hz @19.6 m/s <sup>2</sup> (2G); 10 min per cycle, 60 min for each axis (X,Y,Z)
Over Voltage Category	II (Compliance to EN 62477-1 OVC III with 2000 meters altitude)	
Pollution Degree	3	

### Protections

Overvoltage	13.2 V - 16.8 V SELV Output, Latch Mode	26.4 V - 33.6 V SELV Output, Latch Mode	39.6 V - 48.6 V SELV Output, Latch Mode	52.8 V - 64.8 V SELV Output, Latch Mode
Overload / Overcurrent	110-175% of rated load current, Hiccup Mode, Non-Latching (Auto-Recovery)			
Over Temperature	Latch Mode			
Short Circuit	Hiccup Mode, Non-Latching (Auto-Recovery when the fault is removed)			
Protection Against Shock	Class I with PE*3 connection			

\*3 PE: Protection Earth

### Reliability Data

MTBF	> 700,000 hrs as per Telcordia SR-332 I/P: 230 Vac, O/P: 100% Load, Ta: 25°C)
Expected Cap Life Time	10 years (230 Vac, 50% load @ 40°C)

# PMR Panel Mount Power Supply

## PMR 320 W series / PMR-□V320W1AT

### Safety Standards / Directives

Safety Entry Low		SELV
Electrical Safety	TUV Bauart UL/cUL CB scheme EAC BSMI	EN 62368-1, EN 60335-1, EN 61558-1/-2-16 UL 62368-1, and CAN/CSA C22.2 No. 62368-1 IEC 62368-1, IEC 60950-1, IEC 60335-1, IEC 61558-1/-2-16 TP TC 004/2011 CNS 14336-1
CE		In conformance with EMC Directive 2014/30/EU and Low Voltage Directive 2014/35/EU
UKCA		In conformance with Electromagnetic Compatibility Regulations 2016 and Electrical Equipment (Safety) Regulations 2016
Galvanic Isolation	Input to Output	4.0 KVac
	Input to Ground	2.0 KVac
	Output to Ground	1.25 KVac

### EMC\*4

Emissions (CE & RE)		CISPR 32, EN/BS EN 55032, KS C 9832, AS/NZS CISPR32, EN/BS EN 61000-6-4 Compliance to FCC Title 47, EN/BS EN 55014-1, EN/BS 61000-6-3 : Class B	
Immunity		EN/BS EN 55035, KS C 9835, EN/BS EN 61000-6-2 & Compliance to EN/ BS EN 55014-2, EN/BS EN 61000-6-1	
Electrostatic Discharge	IEC 61000-4-2	Level 4 Criteria A <sup>1)</sup> Air Discharge: 15 kV Contact Discharge: 8 kV	
Radiated Field	IEC 61000-4-3	Level 3 Criteria A <sup>1)</sup> 80 MHz – 1 GHz, 10 V/M, 80% Modulation (1 kHz) 1.4 GHz – 2 GHz, 3 V/M, 80% Modulation (1 kHz) 2 GHz – 2.7 GHz, 1 V/M, 80% Modulation (1 kHz)	
Electrical Fast Transient / Burst	IEC 61000-4-4	Level 3 Criteria A <sup>1)</sup> 2 kV	
Surge	IEC 61000-4-5	Level 4 Criteria A <sup>1)</sup> Common Mode <sup>4)</sup> : 4 kV Differential Mode <sup>5)</sup> : 2 kV	
Conducted	IEC 61000-4-6	Level 3 Criteria A <sup>1)</sup> 150 kHz-80 MHz, 10 Vrms	
Power Frequency Magnetic Fields	IEC 61000-4-8	Level 4 Criteria A <sup>1)</sup> 30 A/Meter	
Voltage Dips and Interruptions	IEC 61000-4-11	0% residual; 1 cycle, Criteria B <sup>2)</sup> 40% residual; 10 cycle, Criteria C <sup>3)</sup> 70% residual; 25 cycle, Criteria C <sup>3)</sup>	
Harmonic Current Emission		IEC/EN/BS EN 61000-3-2, Class A & Class D	
Voltage Fluctuation and Flicker		IEC/EN/BS EN 61000-3-3	
Voltage Sag Immunity SEMI F47 – 0706		80% of 200 Vac 70% of 200 Vac 50% of 200 Vac	160 Vac, 1000 ms 140 Vac, 500 ms 100 Vac, 200 ms Criteria A <sup>1)</sup> Criteria A <sup>1)</sup> Criteria A <sup>1)</sup>

1) Criteria A: Normal performance within the specification limits

2) Criteria B: Output out of regulation, or shuts down during test. Automatically restored to normal operation after test.

3) Criteria C: Output out of regulation, shuts down during test (Need to recycle AC power cord to normal operation after test)

4) Asymmetrical: Common mode (Line to earth)

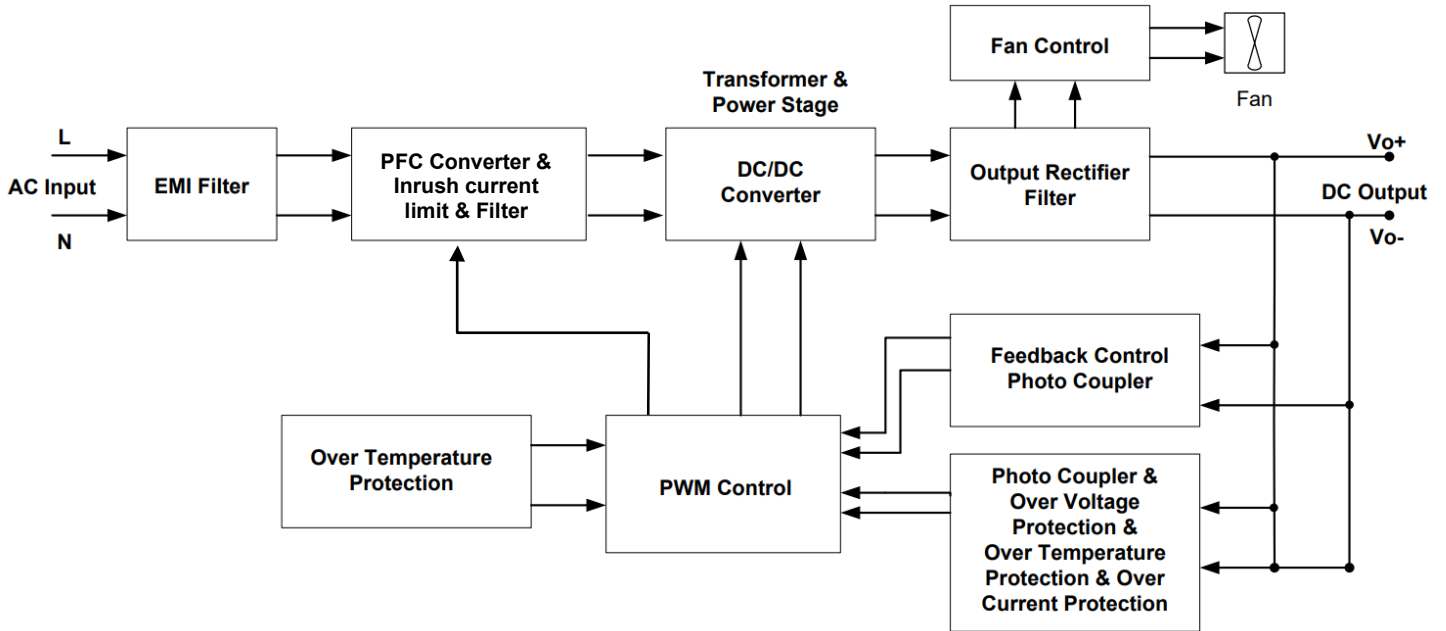
5) Symmetrical: Differential mode (Line to line)

\*4 Power supply is considered a component in the end-user's system. Please contact our local sales to get more information about the power supply EMC test setup.

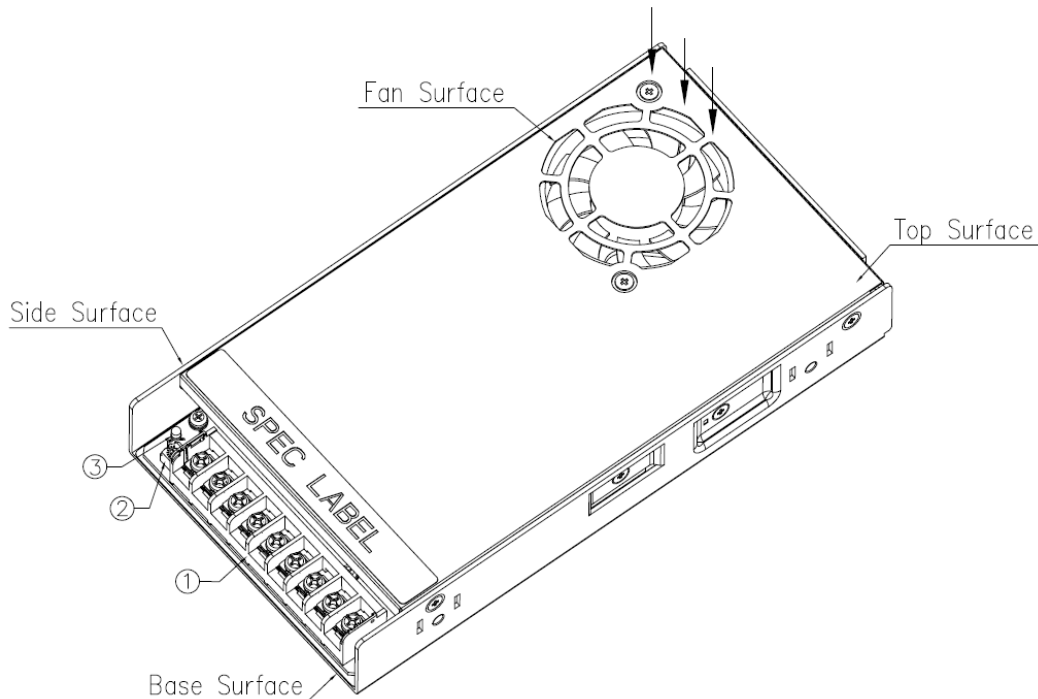
# PMR Panel Mount Power Supply

## PMR 320 W series / PMR-□V320W1AT

### Block Diagram



### Device Descriptions



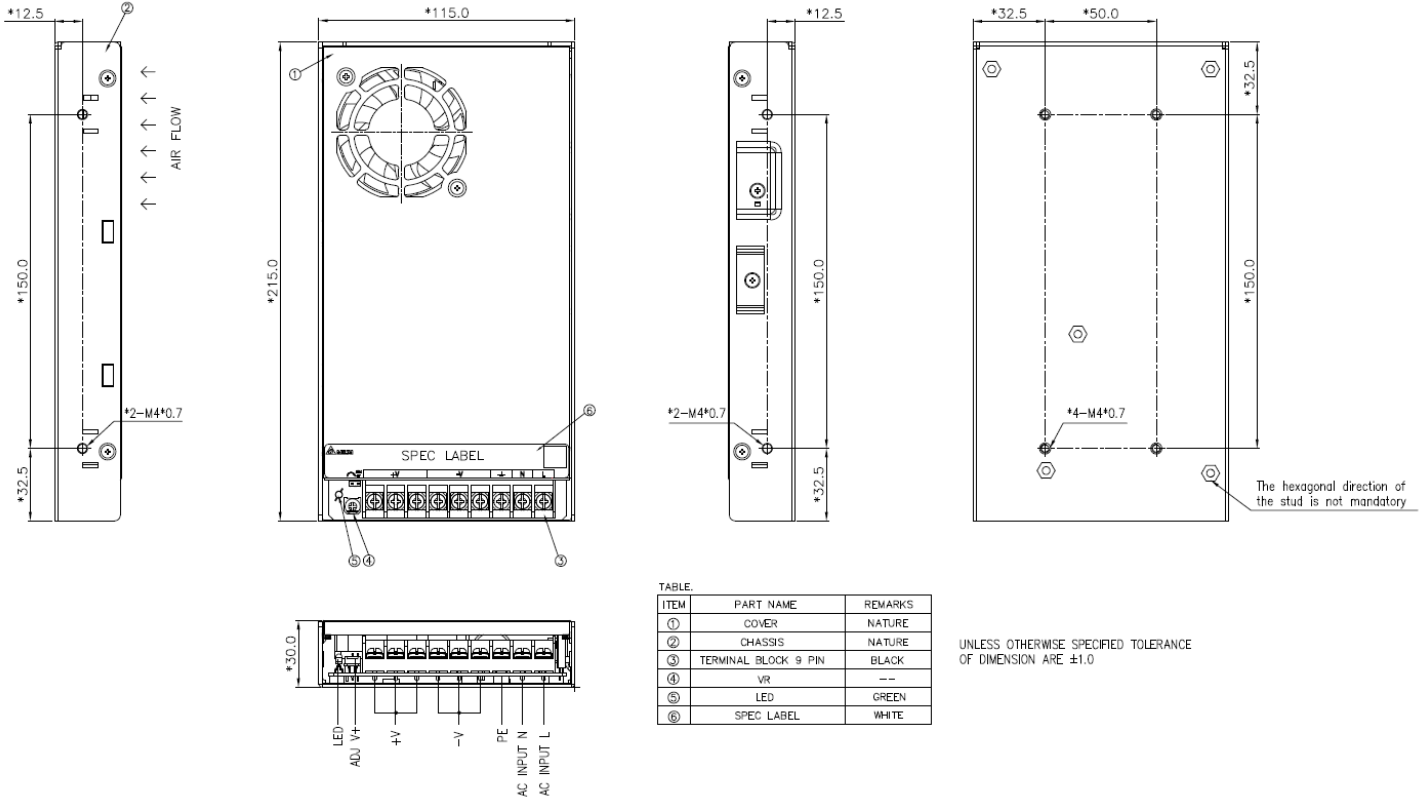
- 1) Input & Output terminal block connector
- 2) DC voltage adjustment potentiometer
- 3) DC OK control LED (Green)

# PMR Panel Mount Power Supply

## PMR 320 W series / PMR-□V320W1AT

### Dimensions

L x W x H: 215 x 115 x 30 mm (8.46 x 4.53 x 1.18 inch)



Note : Built-in cooling fan. Must prevent dust suction into power supply, or use natural convection power supply if any concerns.

### Wire AWG Table

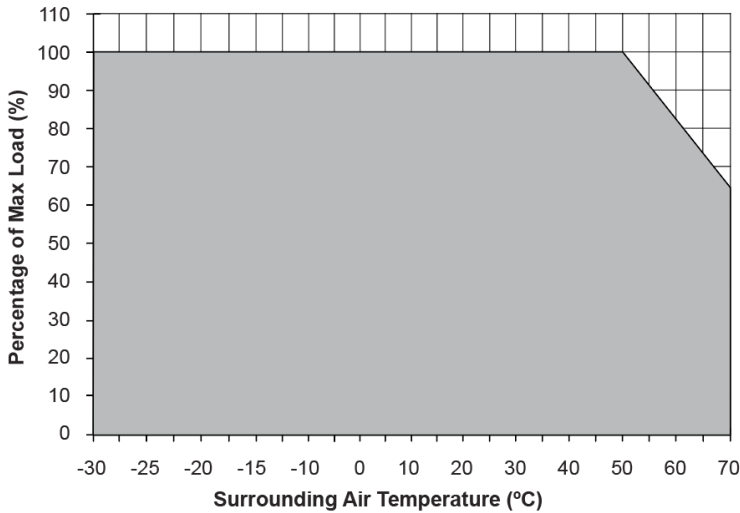
Current rating for PVC Wire AWG			
6 AWG	52.5 A	20 AWG	6.5 A
8 AWG	37.5 A	22 AWG	5.0 A
10 AWG	29.0 A	24 AWG	3.5 A
12 AWG	22.5 A	26 AWG	2.5 A
14 AWG	16.5 A	28 AWG	2.0 A
16 AWG	12.0 A	30 AWG	1.5 A
18 AWG	9.0 A		

# PMR Panel Mount Power Supply

## PMR 320 W series / PMR-□V320W1AT

### Engineering Data

#### Output Load De-rating VS Surrounding Air Temperature

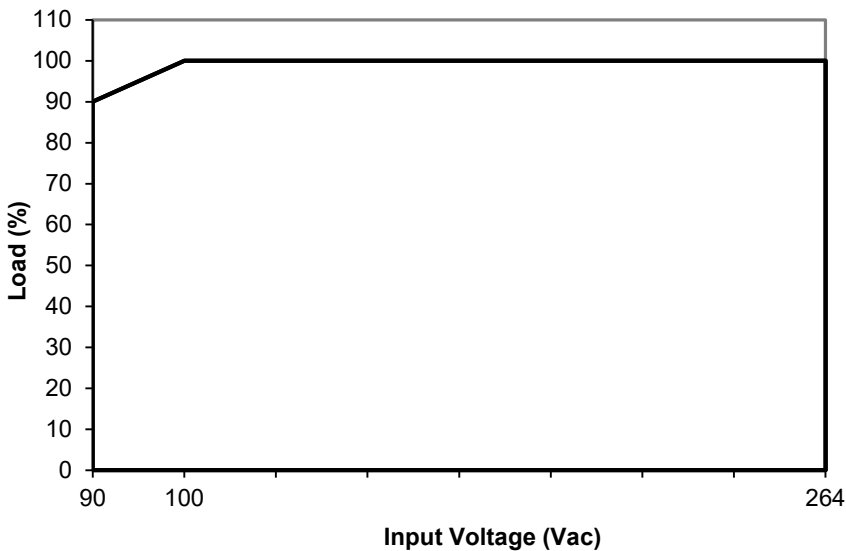


**Fig. 1 De-rating for Horizontal Mounting Orientation**  
 > 50°C de-rate power by 2.0% / °C

#### Note

1. Power supply components may degrade, or be damaged, when the power supply is continuously used outside the shaded region, refer to the graph shown in Fig. 1 & Fig.2.
2. The PSU will be bouncing and start up time will not exceed 5s when ambient temperature at 30 °C
3. If the output capacity is not reduced when the surrounding air temperature >50°C, the device will run into Over Temperature Protection. When activated, power supply will latch off, until the surrounding air temperature is lowered or the load is reduced as far as necessary to keep the device in working condition, and require removal/re-application of input AC voltage in order to restart.
4. In order for the device to function in the manner intended, it is also necessary to keep a safety distance as recommended in the safety instructions while the device is in operation.
5. Depending on the surrounding air temperature and output load delivered by the power supply, the device can be very hot!

#### Output Load De-rating VS Input Voltage



■ No output power de-rating for the input voltage from 100 Vac to 264 Vac

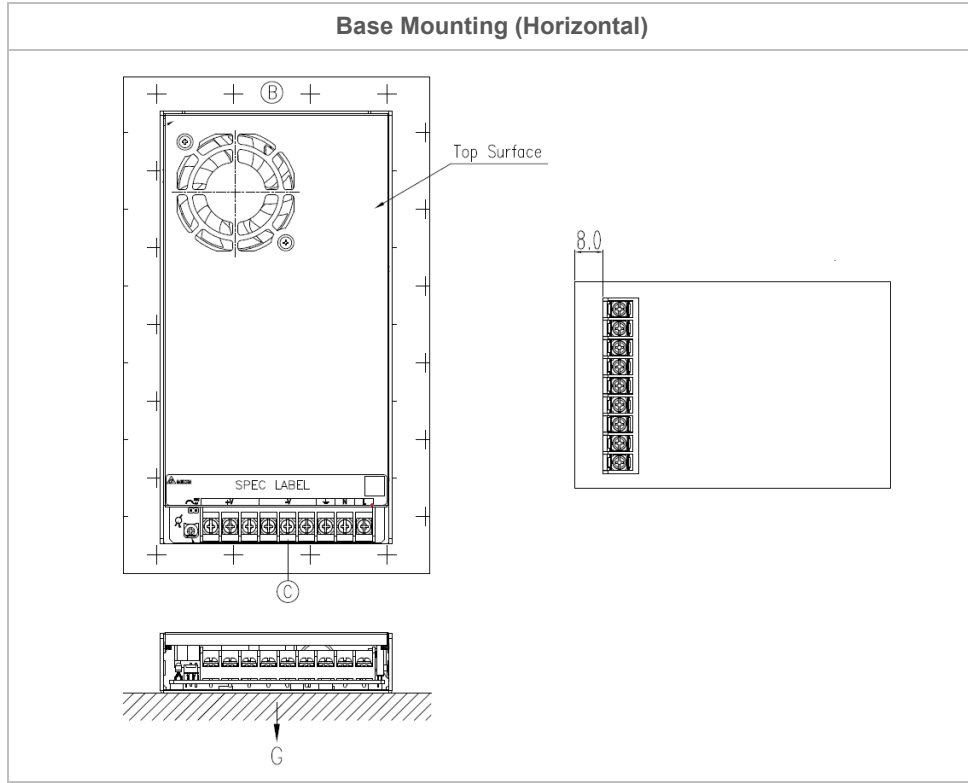
**Fig. 2 De-rating for AC Input Voltage**  
 < 100Vac de-rate power by 1% / V (90% load @ 90 Vac)

# PMR Panel Mount Power Supply

## PMR 320 W series / PMR-□V320W1AT

### Assembly & Installation

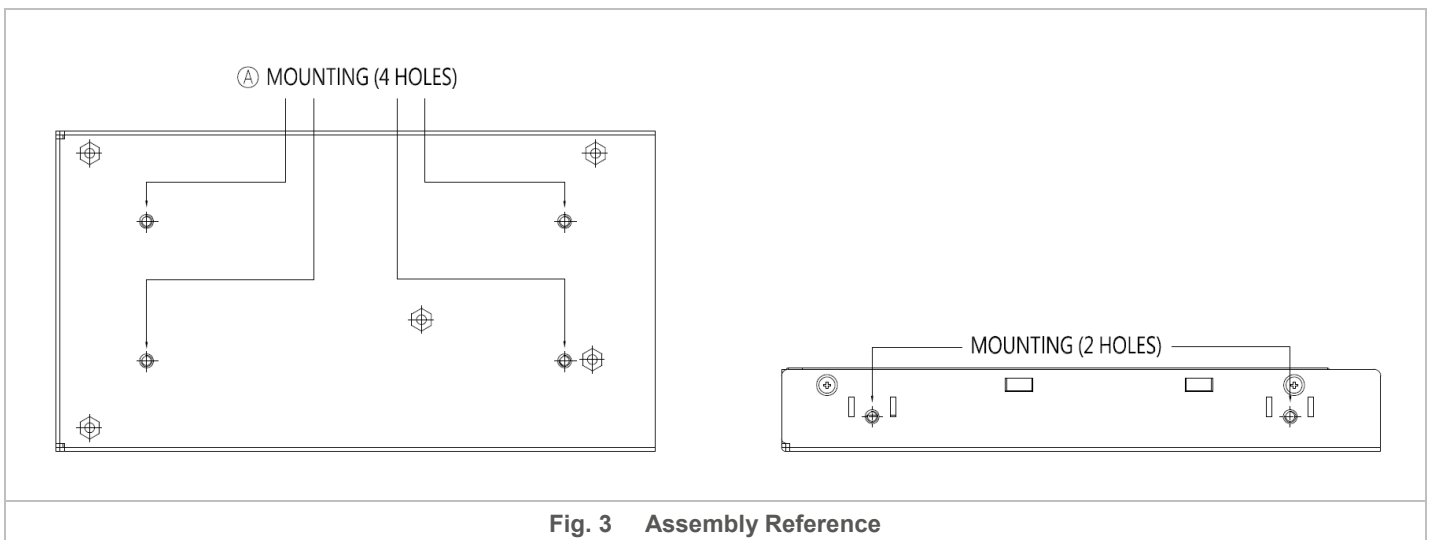
- Ⓐ Base Mounting: Fig.3 shows the mounting hole locations for power supply assembly onto a metal mounting surface.
- Ⓑ This surface belongs to customer's end system or panel where the power supply is mounted.
- Ⓒ Connector



\* If the device has to be mounted in any other orientation, please contact [info@deltapsu.com](mailto:info@deltapsu.com) for more details.

- Use flexible cable (stranded or solid) of AWG No.18-12. User should calculate and select the suitable wire specification (type/quantity/diameter) according to actual output current. The torque at the Connector shall not exceed 8 Kgf.cm. (6.94 lbf.in). The insulation stripping length should not exceed 0.275" or 7 mm. (Refer to Fig. 3).

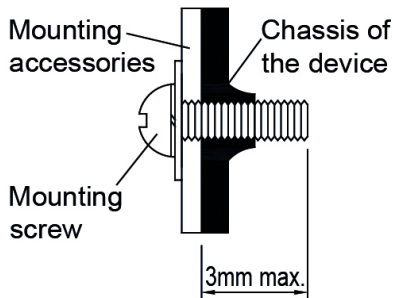
### Installation of Mounting Accessories





# PMR Panel Mount Power Supply

## PMR 320 W series / PMR-□V320W1AT



- Only use M4 screw  $\leq 3$  mm (0.20 inch) through the base mounting holes. This is to keep a safe distance between the screw and internal components.
- Recommended mounting tightening torque: 4~7 Kgf.cm (3.47~6.08 lbf.in).

Fig. 4 Mounting Screw

### Safety Instructions

- If user's mounting orientation is not according to the recommended mounting orientations, please consult Delta for further information.
- To ensure sufficient convection cooling, always maintain a safety distance of  $\geq 50$  mm (1.97 inch) from all ventilated surfaces while the device is in operation.
- The device is not recommended to be placed on low thermal conductive surface. For example, plastics.
- The enclosure of the device can become very hot depending on the ambient temperature and load of the power supply. Do not touch the device while it is in operation or immediately after power is turned OFF. Risk of burning!
- Do not touch the terminals while power is being supplied. Risk of electric shock.
- Prevent any foreign metal, particles or conductors from entering the device through the openings during installation. It may cause: Electric shock; Safety Hazard; Fire; Product failure
- The power supply must be mounted by metal screws onto a grounded metal surface. It is highly recommended that the Earth terminal on the connector be connected to the grounded surface.

# PMR Panel Mount Power Supply

## PMR 320 W series / PMR-□V320W1AT

### Functions

#### Start-up Time

The time required for the output voltage to reach 90% of its final steady state set value, after the input voltage is applied.

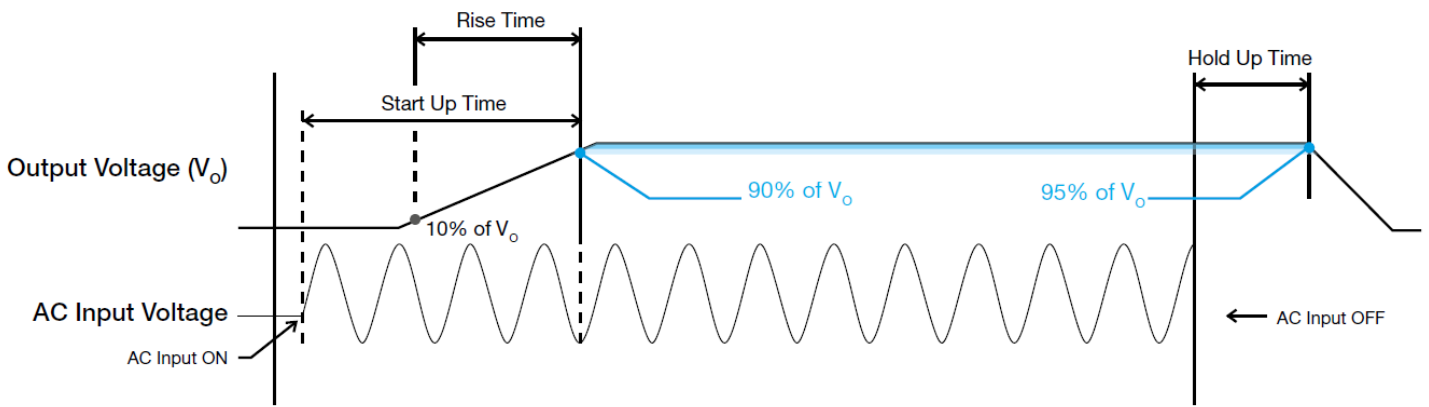
#### Rise Time

The time required for the output voltage to change from 10% to 90% of its final steady state set value.

#### Hold-up Time

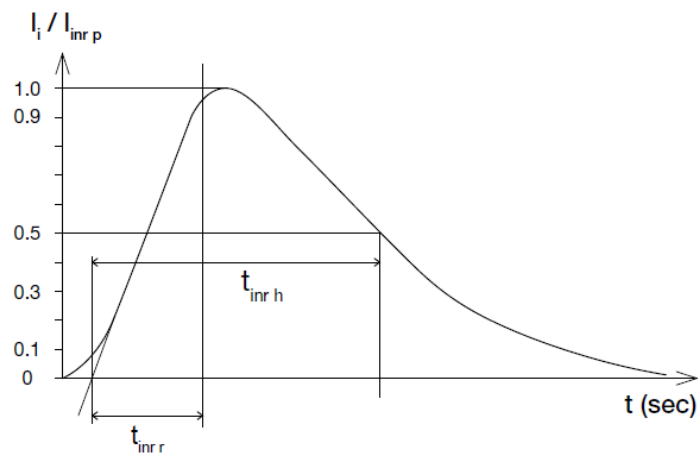
Time between the collapse of the AC input voltage, and the output falling to 95% of its steady state set value.

#### ■ Graph illustrating the Start-up Time, Rise Time, and Hold-up Time



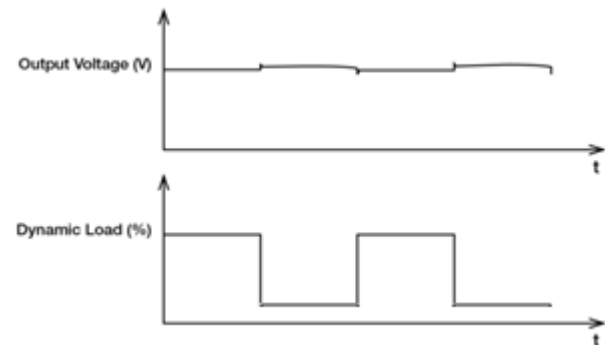
#### Inrush Current

Inrush current is the peak, instantaneous, input current measured and, occurs when the input voltage is first applied. For AC input voltages, the maximum peak value of inrush current will occur during the first half cycle of the applied AC voltage. This peak value decreases exponentially during subsequent cycles of AC voltage.



#### Dynamic Response

The power supply output voltage will remain within  $\pm 10\%$  of its steady state value, when subjected to a dynamic load from 10% to 100%.

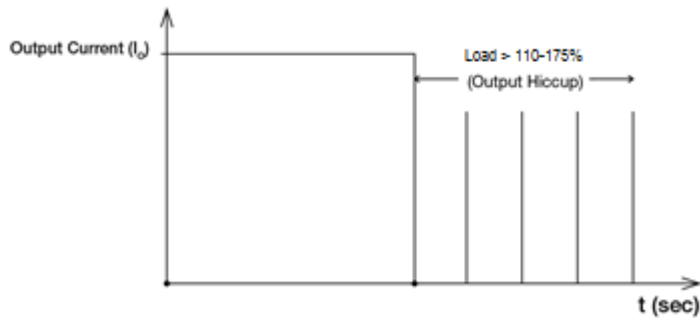


# PMR Panel Mount Power Supply

## PMR 320 W series / PMR-□V320W1AT

### Overload & Overcurrent Protections (Auto-Recovery)

The power supply's Overload (OLP) and Overcurrent (OCP) Protections will be activated when output current exceeds 110% of  $I_O$  (Max load). In such occurrence, the  $V_O$  will start to droop and once the power supply has reached its maximum power limit, the protection is activated and the power supply will go into "Hiccup mode" (Auto-Recovery). The power supply will recover once the fault condition of the OLP and OCP is removed and  $I_O$  is back within the specifications.



It is not recommended to prolong the duration of  $I_o$  when it is <110% but >100%, since it may cause damage to the PSU.

### Short Circuit Protection (Auto-Recovery)

The power supply's output OLP/OCP function also provides protection against short circuits. When a short circuit is applied, the output current will operate in "Hiccup mode", as shown in the illustration in the OLP/OCP section on this page. The power supply will return to normal operation after the short circuit is removed.

### Others

#### Attention

Delta provides all information in the datasheets on an "AS IS" basis and does not offer any kind of warranty through the information for using the product. In the event of any discrepancy between the information in the catalog and datasheets, the datasheets shall prevail (please refer to [www.DeltaPSU.com](http://www.DeltaPSU.com) for the latest datasheets information). Delta shall have no liability of indemnification for any claim or action arising from any error for the provided information in the datasheets. Customer shall take its responsibility for evaluation of using the product before placing an order with Delta.

Delta reserves the right to make changes to the information described in the datasheets without notice.

### Manufacturer and Authorized Representatives Information

#### Manufacturer

Thailand  
Delta Electronics (Thailand) PCL.  
909 Pattana 1 Rd., Muang, Samutprakarn, 10280 Thailand

Taiwan  
Delta Electronics, Inc.  
3 Tungyuan Road, Chungli Industrial Zone, Taoyuan County  
32063, Taiwan

#### Authorized Representatives

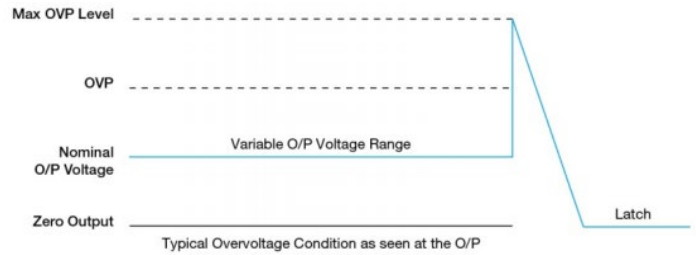
The Netherlands  
Delta Greentech (Netherlands) B.V.  
Zandsteen 15, 2132 MZ Hoofddorp, The Netherlands

United Kingdom  
Delta Electronics Europe Limited  
1 Redwood Court, Peel Park Campus,  
East Kilbride, Glasgow, G74 5PF, United Kingdom

### Overvoltage Protection (Latch Mode)

The power supply's overvoltage circuit will be activated when its internal feedback circuit fails. The output voltage shall not exceed its specifications defined on under "Protections". Power supply will latch, and require removal/re-application of input AC voltage in order to restart.

**The power supply should be latch, and require removal /re-apply of input AC voltage in order to restart.**



### Over Temperature Protection (Latch Mode)

As described in Engineering data section, the power supply also has Over Temperature Protection (OTP). In the event of a higher operating temperature at 100% load, the power supply will run into OTP when the operating temperature is beyond what is recommended in the de-rating graph. When activated, the output voltage will go into latch mode until the temperature drops to its normal operating temperature as recommended in the de-rating graph.