

HCD280

High stability OCXO with low phase noise available up to 100MHz



- Sine or CMOS output
- Excellent short term stability
- Fast warm-up time
- Enhanced phase noise performance
- Extended operating temperature range, +125 °C option

CONFIGURABLE OPTIONS

Parameter	Option Code
Frequency	
Ageing per day (at despatch)	
Any	
<±5x10 ⁻⁹	D
<±3x10 ⁻⁹	E
<±1x10 ⁻⁹	G
Temperature stability	
Any	
±100ppb	O
±50ppb	P
±20ppb	R
±10ppb	S
Operating temperature range	
Any	
0 to +50 °C	IS
-10 to +60 °C	GU
-20 to +70 °C	EW
-30 to +80 °C	CY
-40 to +85 °C	AZ
Output waveform	
Any	
Sine wave, +9dBm (±1dBm) into 50Ω AC coupled	N
CMOS (10kΩ//15pF) 45:55 Max	Q
Phase noise (@ 100MHz)	
Any	

Profile A:

< -90 dBc/Hz @ 10Hz
 < -125 dBc/Hz @ 100Hz
 < -150 dBc/Hz @ 1kHz
 < -160 dBc/Hz @ 10kHz
 < -160 dBc/Hz @ 100kHz

Profile B:

< -100 dBc/Hz @ 10Hz
 < -130 dBc/Hz @ 100Hz
 < -150 dBc/Hz @ 1kHz
 < -165 dBc/Hz @ 10kHz
 < -165 dBc/Hz @ 100kHz

Profile C:

< -105 dBc/Hz @ 10Hz
 < -130 dBc/Hz @ 100Hz
 < -155 dBc/Hz @ 1kHz
 < -170 dBc/Hz @ 10kHz
 < -170 dBc/Hz @ 100kHz

Supply voltage (V_{DD})

Any

+3.3V ($\pm 5\%$)

03

+5.0V ($\pm 5\%$)

05

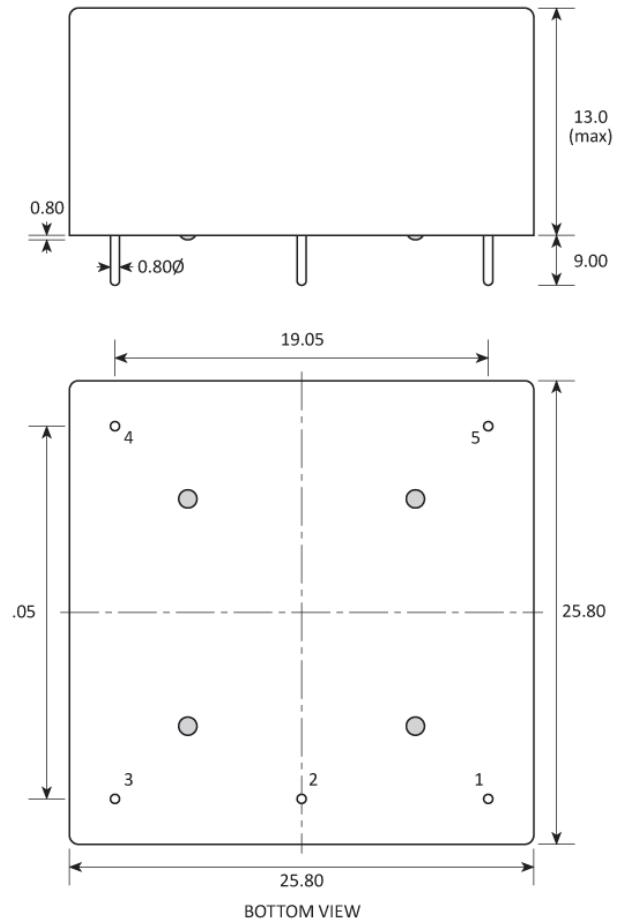
+12V ($\pm 5\%$)

12

Phase noise options may not be available at certain frequencies with a 3.3V supply or over extended operating temperature range of -40 to +125°C. Check with our sales office before ordering.

SPECIFICATIONS

Frequency range	30.0 ~ 100MHz
Dimensions	25.8 x 25.8 x 13.0mm
Frequency stability	<100ppb per month <500ppb per year <1ppb per 10% change in V_{DD}
Storage temperature range	-55 to +150°C
Frequency adjustment	± 0.5 ppm over 0 to +8V for +12V supply ± 0.5 ppm over 0 to +5V for +5V supply ± 0.5 ppm over 0 to +3.3V for +3.3V supply (sufficient for 10 years ageing min)
Power consumption	4.0W max at warm-up 1.2W steady state @ +25°C
Warm up	<1ppm after 3 mins @ +20°C
Allan deviation (ADEV), 1 sec	< 1×10^{-11}
Harmonic distortion	<-30dBc
Spurious	-80dBc max
Shock MIL-STD-202, IEC 68-2-27 Test Ea	50g for 11ms
Vibration MIL-STD-202, IEC 68-2-06 Test Fc	10-55Hz, 1.5mm. 55-500Hz, 10g
Humidity MIL-STD-202	100% rh
Seal MIL-STD-202	Hermetic, washable

PACKAGE DRAWING


PIN	CONNECTION
1	RF output
2	Ground
3	Freq adjustment
4	Ref voltage out
5	Supply

Dimensions in mm

ORDERING INFORMATION

To request a quotation for the HCD280 please use the configurable options form to choose the options you require and then submit your configured product to our team. Our expert advisers are always happy to help with your requirements and can be contacted on +44 1460 256 100 or at sales@golledge.com.

Following product selection you will be issued with a seven character Golledge part number. Your Golledge part number is the internationally accepted Golledge manufacturing part number (MPN) that should be used for all project documentation, including bills of materials (BoMs) and purchase orders.

If you have any queries regarding any of our documentation our dedicated sales team will be happy to help.

HANDLING & STORAGE

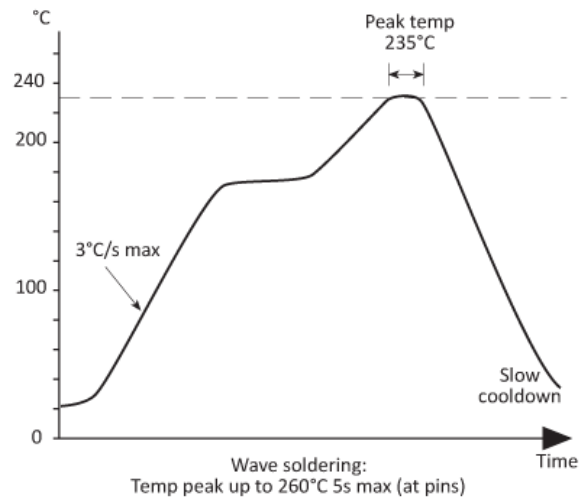


Human Body Model (HBM) 1A (250V to <500V)



Moisture Sensitivity Level (MSL): 1 (or not applicable)

SOLDERING PROFILE



MATERIAL COMPOSITION



Lead-free (< 0.1% by weight)



RoHS compliant with no exemptions. [See our declaration](#)



REACH compliant. [See our statement](#)



Free of conflict minerals. [See our declaration](#)



Free of Halogens. [See our declaration](#)



Free of Ozone-depleting substances. [See our declaration](#)

OTHER INFORMATION

About Golledge

We are the UK's leading supplier of frequency control products and are proud to serve the global electronics industry. Our philosophy is a focus firmly on your requirements by striving to meet and exceed your needs. We do this by ensuring the utmost quality and consistency in our products and services. If you have any queries about the Golledge service or any of our products please get in touch, we'd love to hear from you.

Come and visit

Eaglewood Park, ILMINSTER,
Somerset, TA19 9DQ, England

Give us a call

Tel: +44 1460 256 100
Fax: +44 1460 256 101

Email us

sales@golledge.com

Our Worldwide Distributors

Belgium & Luxembourg
Alcom Electronics NV/SA


Email info@alcom.be
Web www.alcom.be
Tel +32 (0)3 458.30.33

China, Hong Kong - 中国 / 香港
Meiya China


Email sales@meiyatech.com
Web www.meiyatech.com
Tel +86 755 2823 1923

France
Equipments Scientifique


Email comp@es-france.com
Web www.es-france.com
Tel +33 1 47 95 99 89

Germany
MEV Elektronik Service GmbH


Email info@mev-elektronik.com
Web www.mev-elektronik.com
Tel +49 54 24 23 40-0

India
V5 Semiconductors


Email sales@v5semiconductors.com
Web v5semiconductors.com
Tel +91-80-2661 0621

Israel
Phoenix Technologies Ltd


Email sales@phnx.co.il
Web www.phnx.co.il
Tel +972 9 764 4800

Netherlands
Alcom Electronics BV


Email info@alcom.nl
Web alcom.nl
Tel +31 (0)10 288.25.00

Norway & Sweden
Link Nordic


Email thomas.olaussen@linknordic.com
Web linknordic.com
Tel +47 92 23 37 54

Russia - Россия
EFO Ltd


Email elena@efo.ru
Web www.golledge.ru
Tel +7(812)327-8654

Spain & Portugal
R.C. Microelectronica, S.A.


Email ventas@rcmicro.es
Web www.rcmicro.es
Tel +34 93 260 21 66

Our customer feedback is testament to our quality; "Never had such good service as this from anyone in 35 years of being in the industry, this is impressive and has really helped us out of a corner to keep the design flowing" Andy (Senior Design Engineer), "As always your support is state of the art" Nicoleta (Material Management), "Legendary work - as usual it has to be said" John (Operations).
To take advantage of our highly praised service get in touch with us today.