

# KTH7111 EVB Manual

Technical Support  
[sales.global@conntek.com.cn](mailto:sales.global@conntek.com.cn)

## Disclaimer

The information in this document is provided by Quanzhou KTsense Microelectronics Co., Ltd. (泉州昆泰芯微电子科技有限公司) (hereafter referred to as "KTsense Micro") on an "as is" basis for informational purposes only. KTsense Micro does not guarantee the accuracy of the information contained herein or the outcomes of its implementation. KTsense Micro assumes no liability for any errors or inaccuracies that may be present in this document. Users assume full responsibility for the application of the practices outlined in this document.

KTsense Micro owns the registered trademark CONNTEK, under which the CONNTEK brand sensors are marketed.

This document comes without any warranties, express or implied, including but not limited to warranties of merchantability, satisfactory quality, non-infringement, and fitness for a particular purpose. KTsense Micro, along with its employees, agents, and affiliates, is not liable for any losses arising from the use or reliance on this document.

This document is subject to change without prior notice and should not be construed as a commitment by KTsense Micro. Users should ensure they have the latest version of the relevant information before placing orders or integrating the product into their systems.

Users must evaluate the suitability of the product described in this document for their specific applications, including the required level of reliability and fitness for purpose.

This document and the described product may be subject to export control regulations. Export may require prior authorization from the competent authorities. The product is not intended, authorized, or warranted for use in applications requiring extended temperature ranges or unusual environmental conditions. High reliability applications, such as medical life-support or aviation systems, are specifically excluded.

The product may not be used for the development, production, maintenance, or storage of:

1. Chemical, biological, or nuclear weapons, including missile systems for such weapons.
2. Civil firearms, including spare parts or ammunition.
3. Defense-related products or materials for military or law enforcement use.
4. Applications that could cause serious harm to persons or property and that can be used as a means of violence in armed conflicts or similar situations.

No licenses or rights to any intellectual property of KTsense Micro or third parties are granted.

If this document is marked as "confidential" or similar, or if the content is reasonably understood to be confidential, the recipient must not disclose any part of the document to third parties without the express written consent of KTsense Micro. The recipient must take all necessary measures to maintain the confidentiality of the document, using at least the same degree of care as they use to protect their own confidential information, but no less than a reasonable degree of care. The recipient may only disclose the document to employees on a need-to-know basis, provided they are bound by confidentiality terms similar to those in this disclaimer. The document may only be used for the purpose for which it was received and may not be used for commercial purposes or to the detriment of KTsense Micro or its customers. These confidentiality obligations will last indefinitely but in any case, for no less than 10 years from the receipt of the document.

This disclaimer is governed by the laws of China, and any disputes arising from it will be subject to the exclusive jurisdiction of the courts in Shenzhen, China.

The invalidity of any provision in this disclaimer does not affect the validity of the remaining provisions. Previous versions of this document are repealed.

## Copyright

This document and its contents are protected by copyright law. No part of this document may be reproduced or distributed in any form or manner without the prior written consent of KTsense Micro.

## Contact Information

For the latest version of this document, go to our website at <https://en.conntek.com.cn/>.

For additional information, please contact our Direct Sales team and get help for your specific needs:

---

Region	Contact Information
Overseas	Email: sales.global@conntek.com.cn
China	Email: sales@conntek.com.cn

# Table of Contents

<b>1 Introduction</b> .....	<b>5</b>
<b>2 Hardware Overview</b> .....	<b>5</b>
<b>3 Schematic</b> .....	<b>6</b>
<b>4 Mechanical Dimensions</b> .....	<b>6</b>
<b>5 Connector Interface Definition</b> .....	<b>7</b>
<b>6 Functional Description</b> .....	<b>8</b>
<b>6.1 SPI Data Reading</b> .....	<b>8</b>
<b>6.2 One-key Calibration and One-key Zero Setting</b> .....	<b>9</b>
<b>6.3 Output Mode Switching</b> .....	<b>9</b>

# 1 Introduction

The KTH7111\_EVB evaluation board is mainly used for performance evaluation and testing of the high-speed and high-precision off-axis magnetic encoder chip KTH7111 developed by Conntek. This document provides a detailed description of the specific usage of this board.

# 2 Hardware Overview

The hardware circuit of the KTH7111\_EVB evaluation board includes: encoder chip, decoupling capacitors, SPI pull-up resistors, indicator LEDs, mode configuration resistors, control buttons, and connectors.

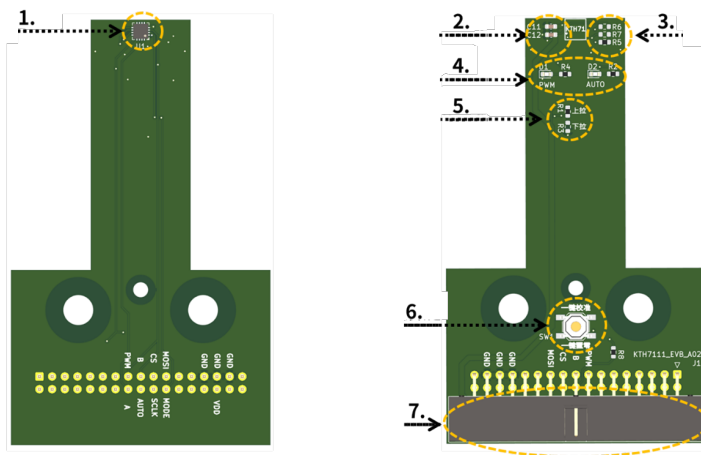


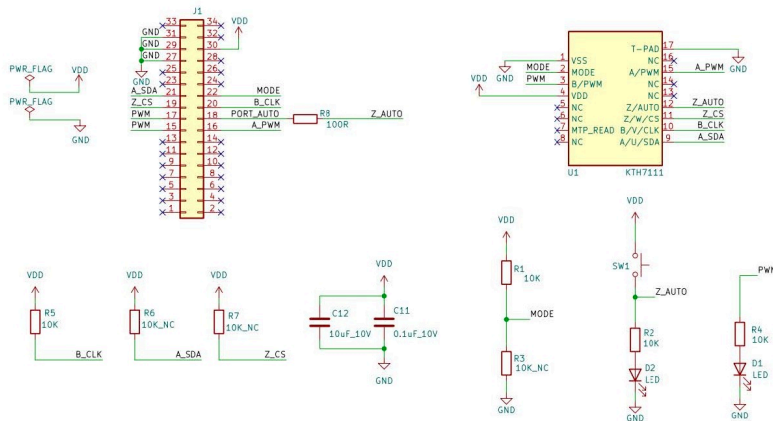
Figure 1: Board Appearance

The corresponding circuit names on the board are described in the table below.

No.	Circuit Name	Description
1	Encoder Chip	KTH7111 encoder chip
2	Decoupling Capacitor	Used for power supply filtering of the encoder chip
3	SPI Pull-up Resistor	Pull-up resistors for SPI signals CS, SCLK, and SDA. By default, only the SCLK signal is pulled up
4	Indicator LED	Connected respectively to U1.Pin3 PWM pin and U1.Pin12 AUTO_CAL pin, used to indicate the signal level of the corresponding pins
5	Mode Configuration Resistor	Connected to U1.Pin2 MODE pin, used to configure the pull-up or pull-down state of the MODE pin. The default is pull-up, which means the MODE pin is high by default
6	Control Button	The SW1 button is directly connected to U1.Pin12. After the button is pressed, the AUTO_CAL pin of U1.Pin12 will be pulled high
7	Connector	The J1 connector is mainly used to bring out various signals of the encoder chip

Table 1: Board Function Table

### 3 Schematic



说明/Description:

1. R8电阻即防止PORT\_AUTO输出低时与按键拉高Z\_AUTO冲突  
R8 resistor prevents conflict between PORT\_AUTO output low and button pulling high Z\_AUTO.
2. 器件Value属性带\_NC表示不贴片  
Components with Value attribute containing \_NC indicate no component is to be mounted.

Figure 2: Board Schematic

### 4 Mechanical Dimensions

The figure below shows the dimension information of the EVB board. The overall size is 52.0 mm × 85.0 mm, and the encoder chip is placed at a distance of 2.32 mm from the board edge.

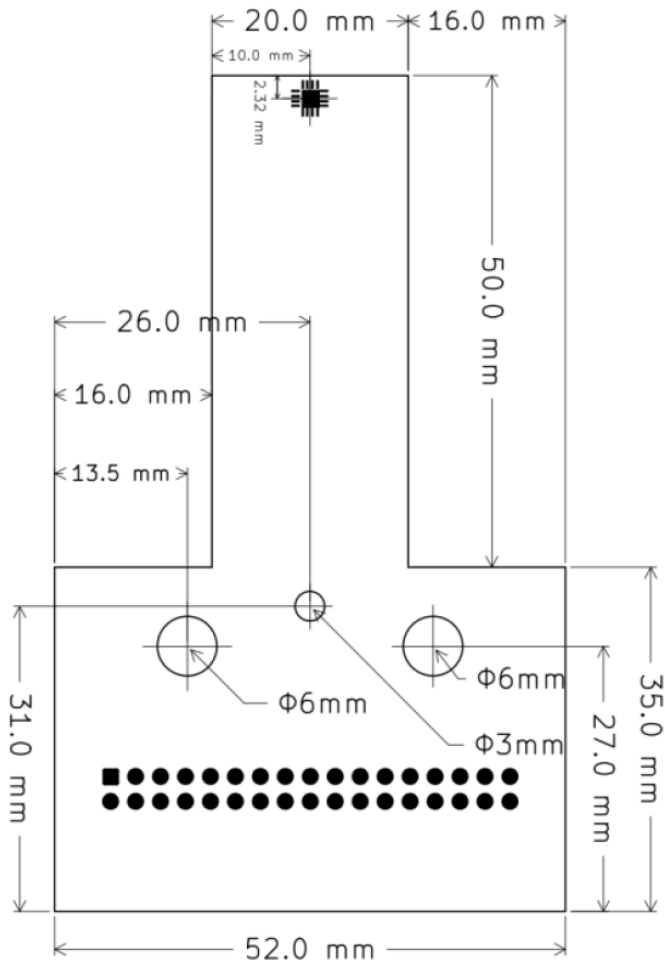


Figure 3: Board Dimensions

## 5 Connector Interface Definition

Connector J1 is a 34-pin wire-to-board connector with a pin pitch of 2.54 mm. The main signals of the EVB board can be brought out through this connector using a ribbon cable. The signal definitions corresponding to each pin can be referenced from the silkscreen beside the pins.

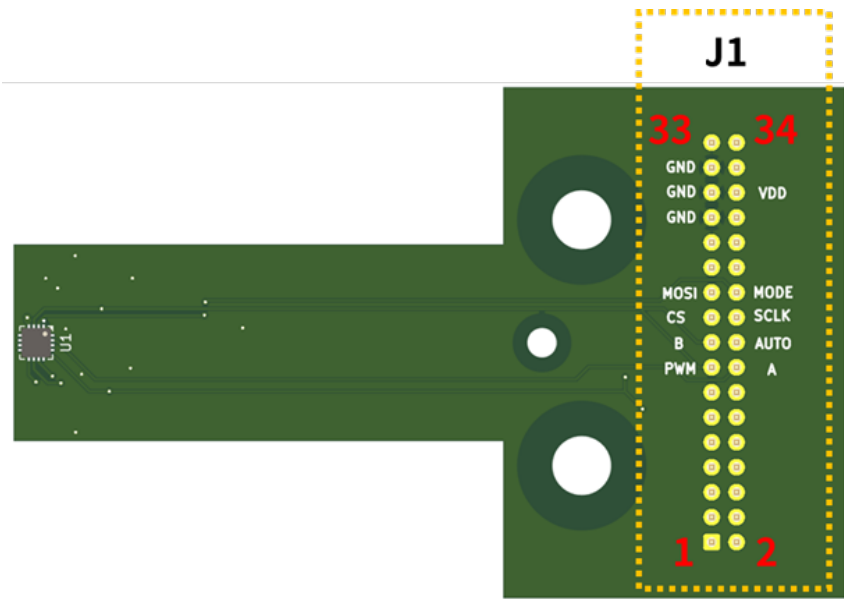


Figure 4: Connector J1 Interface

The main related signals of connector J1 are listed below.

Pin No.	PCB Silkscreen	KTH7111 Pin	Function Description
J1.15	PWM	U1.3(PWM)	Duty cycle output
J1.18	AUTO	U1.12(AUTO_CAL)	External calibration or zero-setting trigger input, active high
J1.19	CS	U1.11(Z/W/CS)	IO function configured by MODE pin and IO_MUX register
J1.20	SCLK	U1.10(B/V/SCLK/SSCK)	IO function configured by MODE pin and IO_MUX register
J1.21	MOSI	U1.9(A/U/SDA/SSD)	IO function configured by MODE pin and IO_MUX register
J1.22	MODE	U1.2(MODE)	Interface output control
J1.30	VDD	U1.4(VDD)	Power supply input for the encoder chip, from 3.3 V to 5 V
J1.27	GND	U1.1(GND)	Ground
J1.29	GND	U1.1(GND)	Ground
J1.31	GND	U1.1(GND)	Ground

Table 2: Connector J1 Pin Description

## 6 Functional Description

### 6.1 SPI Data Reading

First, make sure that the mode configuration resistor is in the pull-up state, that is, R1 is soldered. Then connect the VDD and GND pins of connector J1 to the power supply. After the board is powered on, the MODE pin of the KTH7111 chip is at a high level, and U1.9, U1.10, and U1.11

operate in the three-wire SPI mode. At this time, three-wire SPI communication with the KTH7111 chip can be carried out through the CS, SCLK, and MOSI pins on J1, so that angle data and register-related data can be read.

## 6.2 One-key Calibration and One-key Zero Setting

The SW1 button on the EVB board is connected to the AUTO\_CAL pin of the encoder chip. After SW1 is pressed, the AUTO indicator LED on the board will light up, and the AUTO\_CAL pin of the encoder chip will be pulled high at the same time. Alternatively, the AUTO\_CAL pin can also be pulled high through pin J1.18(AUTO). After this pin is pulled high, the encoder chip will automatically trigger calibration or zero setting according to the current angle variation.

When the pin is kept high continuously, and the signal magnet corresponding to the encoder chip is rotating at a constant speed, the encoder chip will enter calibration mode to perform angle calibration. At this time, the PWM indicator LED on the board will start flashing. After calibration is completed, if calibration is successful, the PWM indicator LED will remain on. If calibration fails, the PWM indicator LED will turn off.

When the pin is pulled high for more than 2 s while the signal magnet corresponding to the encoder chip is stationary, the encoder chip will enter the zero-setting state, and the current angle value will be reset to the zero point, thus completing the angle zero-setting operation.

## 6.3 Output Mode Switching

The CS, SCLK, and MOSI pins of connector J1 on the KTH7111\_EVB board are directly connected to pins U1.9, U1.10, and U1.11 of the encoder chip. By configuring different combinations of MODE level and IO\_MUX register settings, different data output modes can be achieved.

PIN and Register	Status 1	Status 2	Status 3	Status 4
PIN2: MODE	High level	Low level	Low level	Low level
IO_MUX[2:0]	Any	4	1	2
PIN9	SDA	A	U	SSD
PIN10	SCLK	B	V	SSCK
PIN11	CS	Z	W	Z

Table 3: KTH7111 Interface Output Selection Table

The MODE level is switched by changing the pull-up or pull-down configuration using the mode configuration resistors R1 and R3 on the board. Together with the IO\_MUX register values configured as described in the datasheet, the CS, SCLK, and MOSI pins on J1 can be switched to different output modes such as ABZ, UVW, and SSI.