

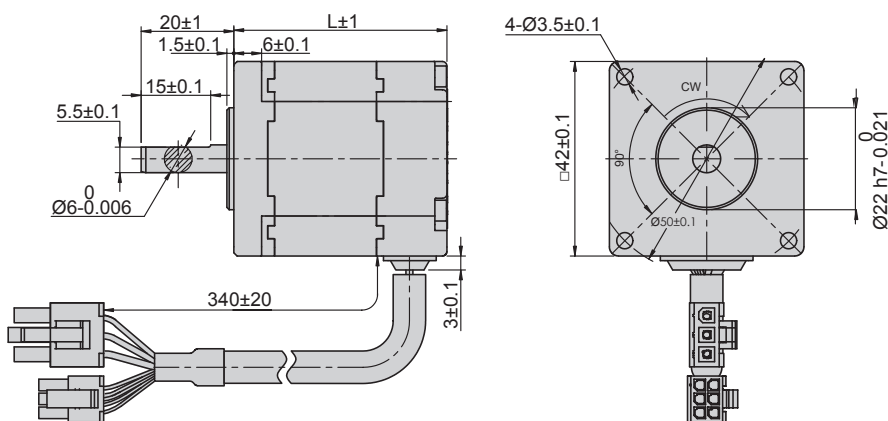
42 BLD Motor

Technical specification

	Symbols	Units	Type					
			AM42BL30L2	AM42BL30L4	AM42BL60L2	AM42BL60L4	AM42BL90L2	AM42BL90L4
		mm	42	42	42	42	42	42
length	L	mm	46	46	70	70	100	100
Input voltage	Un	VDC	24	48	24	48	24	48
Rated power	Pn		30	30	60	60	90	90
Phase number	P		3					
Rated speed	Nn	RPM	4000	4000	4000	4000	4000	4000
Max. speed	Np	RPM	5000	5000	5000	5000	5000	5000
Rated torque	T	Nm	0.072	0.072	0.144	0.144	0.215	0.215
Max. torque	T max	Nm	0.144	0.144	0.288	0.288	0.43	0.43
Rated current	I	Arms	1.67	0.81	3.28	1.63	4.92	2.40
Max. current	I max	Arms	3.34	1.62	6.56	3.26	9.84	4.8
Voltage ± 10%		Vrms/Krpm	2.95	6.13	3.00	6.00	3.00	6.10
Torque ± 10%		Nm/Arms	0.043	0.089	0.044	0.088	0.044	0.089
Moment of inertia		g.cm ²	39	39	72	72	114	114
Resistance ± 10%(25°C)	R	Ω	1.34	5.92	0.68	2.62	0.40	1.47
Inductance	L	mH	1.15	3.15	0.60	2.5	0.37	1.57
Sensor			Hall					
Ins.class			E					
Protective rating			IP40					
Storage temperature			-25~+70°C					
Operating temperature			0~+40°C					
Operating humidity			85% RH or below (noncondensing)					
Operating environment			Outdoor (no direct sunlight), no corrosive gas, no flammable gas, no oil mist, no dust					
Altitude			1000m or below					

Mechanical Dimension(Unit:mm)

Series	length
	mm
AM42BL30L2	46
AM42BL60L2	70
AM42BL90L2	100



Torque Curves

