

## 10W CONVECTION COOLED

AC-DC POWER SUPPLIES

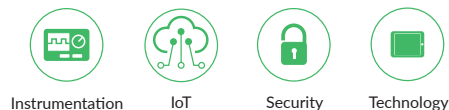
The ECE10 is a series of open frame and encapsulated AC-DC single output power supplies designed for low power ITE and industrial applications. The series provides two mechanical options including open frame and encapsulated PCB mount. With approvals to world-wide safety standards, compliance with class B for conducted and radiated emissions and a 20%, 30s peak load capability, these class II isolation parts benefit system designers with easy integration into a wide range of applications.



### Features

- Ultra Compact Size
- Single Outputs from 3.3 to 48V
- Encapsulated PCB Mount
- <0.3W No Load Input Power
- Peak Load Capability
- No External Components Required
- 3 Year Warranty

### Applications



### Dimensions

#### ECE10:

1.50" x 1.00" x 0.60" (38.1 x 25.4 x 15.24mm)

#### ECE10-P:

1.40" x 0.93" x 0.64" (35.56 x 23.7 x 16.3mm)

### Models & Ratings

Model Number <sup>(2)</sup>	Output Voltage	Output Current		Efficiency <sup>(3)</sup>	Output Power
		Nominal	Peak <sup>(1)</sup>		
ECE10US03	3.3VDC	2.60A	3.12A	77%	10W
ECE10US05	5.0VDC	2.00A	2.40A	80%	10W
ECE10US09	9.0VDC	1.11A	1.33A	82%	10W
ECE10US12	12.0VDC	0.83A	1.00A	83%	10W
ECE10US15	15.0VDC	0.66A	0.79A	82%	10W
ECE10US24	24.0VDC	0.41A	0.49A	83%	10W
ECE10US48	48.0VDC	0.21A	0.25A	83%	10W

#### Notes:

1. Peak load lasting <30s with a maximum duty cycle of 10%, average output power not to exceed nominal power.
2. Add suffix-P to model number to denote open frame version. Available for OEM quantities.
3. Efficiencies measured at 100% load with 115VAC input.

## Summary

Characteristic	Minimum	Typical	Maximum	Units	Notes & Conditions
Input Voltage Range	85		264	VAC	Derate from 100% at 90VAC to 90% at 85VAC
No Load Input Power			0.3	W	
Efficiency		83		%	Model dependent
Operating Temperature	-25		+70	°C	Derate linearly from 100% at +50°C to 50% at +70°C
EMC	EN55032 Level B Conducted & Radiated, EN601000-3-2, EN61000-3-3, EN60601-1-2				
Safety Approvals	IEC62368-1, IEC60950-1, EN62368-1, UL62368-1				

## Input

Characteristic	Minimum	Typical	Maximum	Units	Notes & Conditions
Input Voltage Range	85		264	VAC	Derate load from 100% at 90VAC to 90% at 85VAC
	120		370	VDC	
Input Frequency	47		63	Hz	
Input Current			0.2	A rms	At 230VAC
No Load Input Power			0.3	W	
Inrush Current			10/20	A	10A at 115VAC, 20A at 230VAC cold start at 25°C
Earth Leakage Current					Class II construction no earth
Input Protection	Internal T1 A/250VAC fuse				
Power Factor	EN61000-3-2 Class A				

## Output

Characteristic	Minimum	Typical	Maximum	Units	Notes & Conditions
Output Voltage	3.3		48	VDC	
Initial Set Accuracy			±1	%	
Minimum Load	0			A	No minimum load required
Line Regulation			±0.5	%	
Load Regulation			±1	%	
Start Up Delay			2	s	
Start Up Rise Time			25	ms	
Hold Up Time		8		ms	At full load and 115VAC
		40			At full load and 230VAC
Transient Response			4	%	Deviation, recovery within 1% in less than 500µs for a 25% load change
Ripple & Noise			60	mV pk-pk	3.3 & 5V models, 20MHz bandwidth
			1	% pk-pk	All other models, 20MHz bandwidth
Overvoltage Protection	125		190	%	ECE10US03
	195		216		
Overload Protection	125		190	%	
Short Circuit Protection					Trip & Restart (hiccup mode)
Temperature Coefficient			0.05	%/°C	

## General

Characteristic	Minimum	Typical	Maximum	Units	Notes & Conditions
Efficiency		83		%	
Isolation: Input to Output	4000			VAC	
Switching Frequency		130		kHz	
Power Density			11.1	W/in <sup>3</sup>	
Mean Time Between Failure	450			khrs	MIL-HDBK-217F, +25°C GB
Weight		0.053 (24)		lb (g)	ECE10
		0.031 (14)			ECE10-P

## Environmental

Characteristic	Minimum	Typical	Maximum	Units	Notes & Conditions
Operating Temperature	-25		+70	°C	Derate linearly from 100% at +50°C to 50% at +70°C
Storage Temperature	-40		+85	°C	
Cooling	Convection-cooled				
Humidity			95	%RH	Non-condensing
Operating Altitude			3048 (10 000)	m (ft)	
Vibration	2g, 10Hz to 500Hz, 10 mins/cycle, 60 mins each of 3 axes.				

## Safety Approvals

Certification	Standard	Notes & Conditions
CB	IEC60950-1	ITE
	IEC62368-1	
UL	UL62368-1	ITE
TUV	EN62368-1	
CE	Meets all applicable directives	
UKCA	Meets all applicable legislation	

## EMC: Emissions

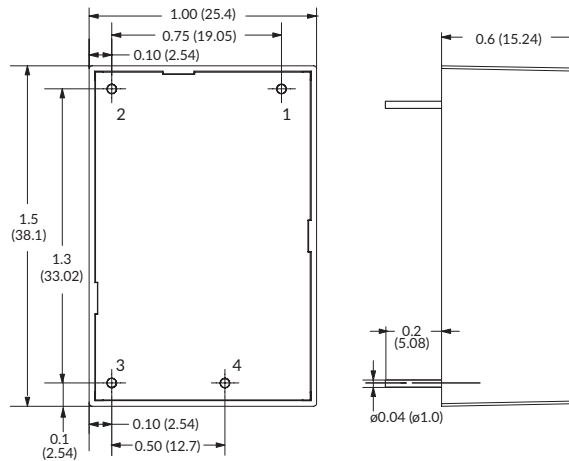
Phenomenon	Standard	Test Level	Notes & Conditions
Conducted	EN55032	Class B	If output is connected to ground, please contact applications engineering for further information
Radiated	EN55032	Class B	
Harmonic Current	EN61000-3-2, EN61000-3-3	Class A	

## EMC: Immunity

Phenomenon	Standard	Test Level	Criteria	Notes & Conditions
ESD Immunity	EN61000-4-2	3	A	
Radiated Immunity	EN61000-4-3	10 V/m, 80%	A	
EFT/Burst	EN61000-4-4	3	A	
Surge	EN61000-4-5	3	A	Line to line
Conducted	EN61000-4-6	10Vrms	A	
Magnetic Fields	EN61000-4-8	10A/m	A	
Dips and Interruptions	EN61000-4-11	30% for 10ms	A	
		60% for 100ms	B	
		100% for 5000ms	B	

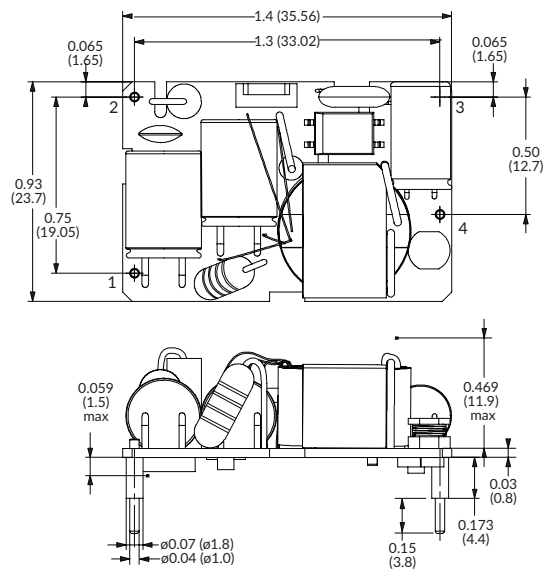
## Mechanical Details

### ECE10



Pin	Function
1	ACN
2	ACL
3	+Vout
4	-Vout

### ECE10-P



#### Notes:

1. All dimensions in inches (mm).
2. Weight: ECE10: 0.053lbs (24g), ECE10-P: 0.031lbs (14g)
3. Pin 1, 2 Size is 0.024" (0.6mm) DIA 0.002" (0.05mm) Pin 3, 4, 5 Size is 0.02" (0.5mm) DIA 0.002" (0.05mm)

4. Tolerances: x.xx =  $\pm 0.02$  (x.x =  $\pm 0.5$ ), x.xxx =  $\pm 0.01$  (x.xx =  $\pm 0.25$ )