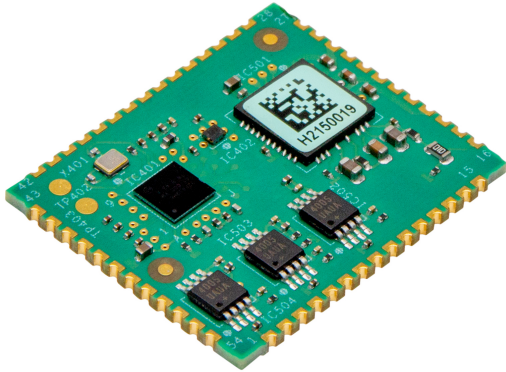


TMCM-1690-TMCL Hardware Manual

HW Version V1.0 | Rev 0 • 11/23

The TMCM-1690-TMCL is a single axis FOC servo controller gate driver module for 3-phase brushless direct current (BLDC) and DC motors with up to 1.5A gate drive current and +60V (+48 V nominal) supply. It offers universal asynchronous receiver-transmitter (UART) (RS232-/RS485-ready) and controller area network (CAN) interfaces with TMCL protocol support for communication. TMCM-1690-TMCL supports incremental encoders, digital hall sensors, and absolute encoder as position feedback.



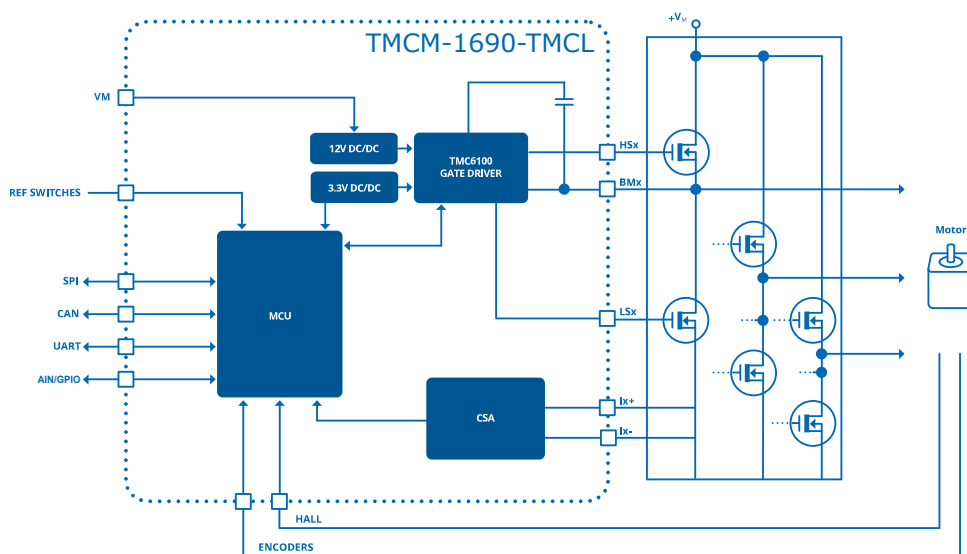
Features

- Supply Voltage +10 to +60V DC
- FOC Servo Controller and Gate Driver Module for BLDC and DC Motors
- 0.5A/1.0A/1.5A Gate Drive Current
- Up to 120kHz PWM Frequency
- Onboard Current-Sense Amplifiers
- Supports UART (RS232/RS485-ready) and CAN Interfaces
- Supports Incremental Encoders (ABN), Digital HALL Sensors, Absolute SPI Encoders
- Reference Switch Inputs
- Compact Size (27mm x 22.5mm)

Applications

- Robotics
- Laboratory Automation
- Manufacturing
- Factory Automation
- Servo Drives
- Motorized Tables and Chairs
- Industrial BLDC and DC Motor Drives

Simplified Block Diagram



Contents

1	Features	3
2	Order Codes	4
3	Mechanical and Electrical Interfacing	5
3.1	Size of the board	5
3.2	Board mounting considerations	5
4	Pinout and Pin Descriptions	6
4.1	Package Pinout	6
4.2	Pin Table	7
5	System Architecture	11
6	External Components	12
6.1	Analog Input	12
6.2	Power Supply Requirements	12
6.3	Power Stage – MOSFET Bridge	13
6.3.1	Tuning of the MOSFET Bridge	16
6.3.2	Bridge Optimization Example	17
6.3.3	Bridge Layout Considerations	18
6.3.4	Current Sensing Resistors	18
6.4	Diagnostics and Protections	20
6.4.1	Temperature Sensors	20
6.4.2	Gate Driver Short Circuit Protection	21
6.4.3	Avoiding Power Supply Overshoot	22
7	TMCL Protocol Firmware	23
8	Communication	24
8.1	RS485	24
8.2	CAN	25
9	Absolute Maximum Ratings	27
10	Electrical Characteristics	28
11	Figures Index	31
12	Tables Index	32
13	Supplemental Directives	33
13.1	Producer Information	33
13.2	Copyright	33
13.3	Trademark Designations and Symbols	33
13.4	Target User	33
13.5	Disclaimer: Life Support Systems	33
13.6	Disclaimer: Intended Use	33
13.7	Collateral Documents & Tools	34
14	Revision History	35
14.1	Hardware Revision	35
14.2	Document Revision	35

1 Features

The TMCM-1690-TMCL is a single axis field-oriented control (FOC) servo controller gate driver module for 3-phase BLDC and DC motors with up to 1.5A gate drive current and +60V supply. It offers UART (RS232-/RS485-ready) and CAN interfaces with TMCL protocol for communication. TMCM-1690-TMCL supports incremental encoders, digital hall sensors, and absolute SPI encoder as position feedback.

Controller and Driver

- Gate drive current: 1.5A
- Supply voltage +10V to +60V DC (+48V nominal)
- Field-oriented control with up to 100kHz PWM and current control loop
- Temperature rating: -30°C... +60°C

Position Feedback

- Incremental encoders (ABN)
- Digital hall sensors
- Absolute SPI encoder support for Analog Devices ADA4573 and RLS AM4096

Interfaces

- Digital UART interface (RS232 with external transceiver on base board)
- Digital RS485 interface with up to 1Mb/s (external transceiver needed on base board)
- Digital CAN interface with up to 1Mb/s (external transceiver needed on base board)
- 2x general purpose digital inputs/outputs (0V...+3.3V input range)
- 1x analog input (0V...+3.3V input range)

Mechanical data

- Board size: 27.0mm x 22.5mm
- Edge castellation with 54 half-cut plated through-hole pins at 1.5mm pin pitch

Software

- TMCL™ remote (direct mode) and standalone operation (memory for up to 1024 TMCL commands), fully supported by TMCL-IDE (PC based integrated development environment). Further information is given in the TMCM-1690-TMCL TMCL firmware manual.

2 Order Codes

The TMCM-1690-TMCL comes preprogrammed with ADI Trinamic TMCL protocol firmware. Specific information on the TMCL protocol is provided in the separate firmware manual.

Order Code	Description	Size (L x W x H)
TMCM-1690-TMCL	60V/10A _{RMS} FOC servo controller and gate driver module for BLDC and DC motors with TMCL software stack.	27.0mm x 22.5mm x 3mm

Table 1: TMCM-1690-TMCL Order Code

(-T = tape and reel version)

3 Mechanical and Electrical Interfacing

3.1 Size of the board

The board with the controller/driver electronics has an overall size of 27.0mm x 22.5mm x 3mm.

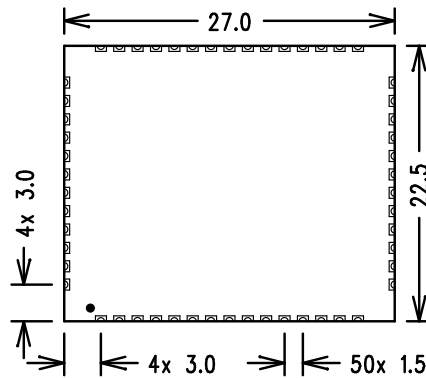


Figure 1: Board Dimensions and Pin Positions (All Values in mm)

3.2 Board mounting considerations

The pins of the board have the dimensions of 1.0mm x 0.65mm. The recommended pad size is 1.0mm x 1.3mm with the center positioned on the board outline such that the part extending under the board is 1:1 with the pin.

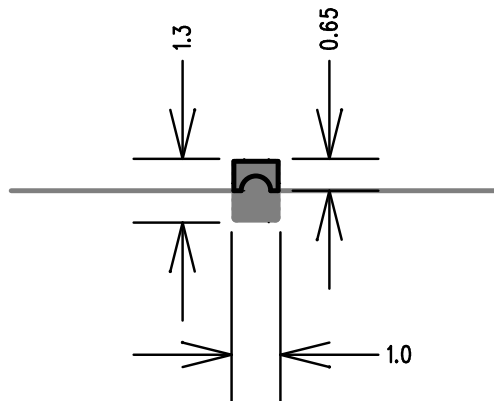


Figure 2: Pin Dimensions and Recommended Pad Size (All Values in mm)

4 Pinout and Pin Descriptions

4.1 Package Pinout

Pin numbers are also printed in the top silkscreen of TMCM-1690-TMCL.

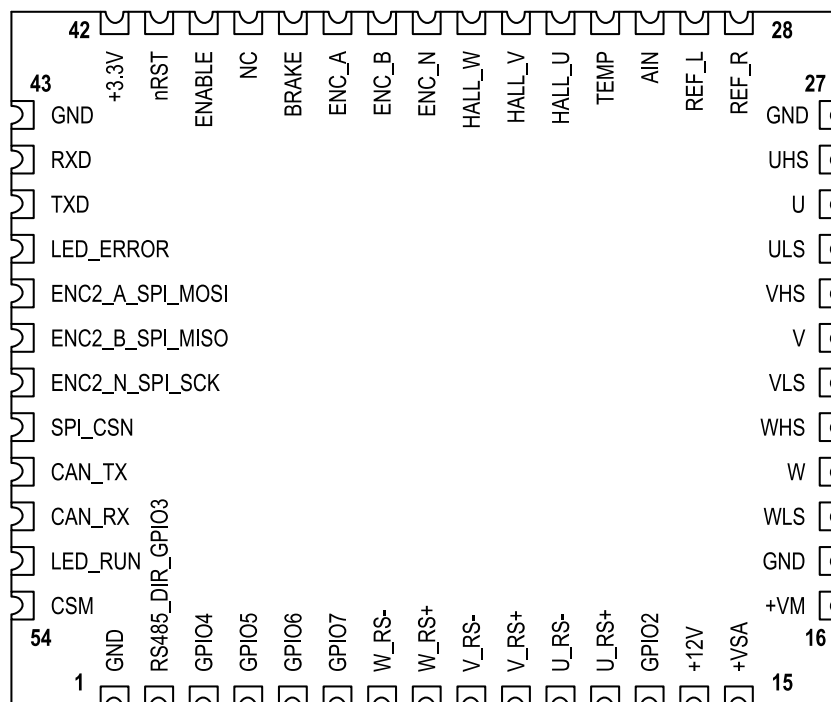
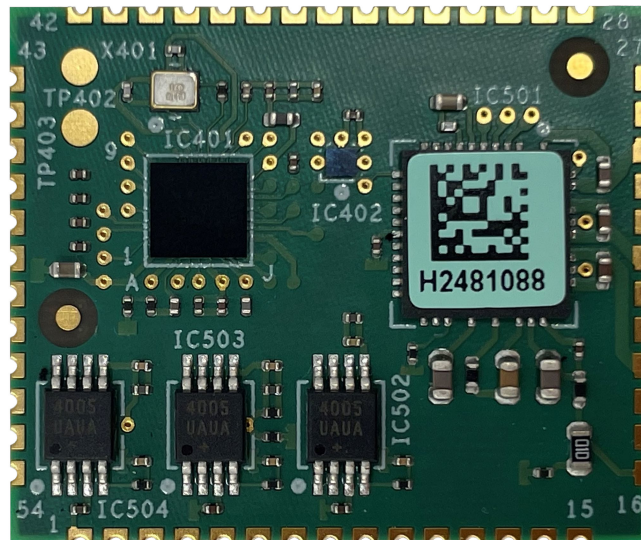


Figure 3: TMCM-1690-TMCL Pinout (Top View)

4.2 Pin Table

Pin Assignments				
Pin	Name	Direction	Ref Supply	Description
1, 17, 27, 43	GND	—	—	System ground
2	RS485_DIR_GPIO3	in/out	+3.3V	RS485 transceiver direction control output or software configurable general purpose IO. Output mode = push-pull. Input mode with configurable built-in pull-up resistor.
3	GPIO4	in/out	+3.3V	Software configurable general purpose IO. Output mode = push-pull. Input mode with configurable built-in pull-up resistor.
4	GPIO5	in/out	+3.3V	Software configurable general purpose IO. Output mode = push-pull. Input mode with configurable built-in pull-up resistor.
5	GPIO6	in/out	+3.3V	Software configurable general purpose IO. Output mode = push-pull. Input mode with configurable built-in pull-up resistor.
6	GPIO7	in/out	+3.3V	Software configurable general purpose IO. Output mode = push-pull. Input mode with configurable built-in pull-up resistor.
7	W_RS-	input	+3.3V	Motor phase W load-side current-sense resistor connection
8	W_RS+	input	+3.3V	Motor phase W power-side current-sense resistor connection
9	V_RS-	input	+3.3V	Motor phase V load-side current-sense resistor connection
10	V_RS+	input	+3.3V	Motor phase V power-side current-sense resistor connection
11	U_RS-	input	+3.3V	Motor phase U load-side current-sense resistor connection
12	U_RS+	input	+3.3V	Motor phase U power-side current-sense resistor connection
13	GPIO2	output	+3.3V	Software configurable general purpose IO. Output mode = push-pull. Input mode with configurable built-in pull-up resistor.

Pin	Name	Direction	Ref Supply	Description
14	+12V	in/out	—	Output of internal gate voltage regulator and supply pin of low side gate drivers. Attach 2.2 μ F to 22 μ F ceramic capacitor to GND plane near to pin for best performance. Use at least 5 to 10 times more capacity than for bootstrap capacitors. In case an external gate voltage supply is available, tie VSA and +12V to the external supply. See section on power supply requirements.
15	+VSA	input	—	Analog gate driver supply for internal regulators. Provide a 100nF filtering capacitor to GND. See section on power supply requirements.
16	+VM	input	—	Motor supply voltage. Provide filtering capacity near pin with short loop to GND plane. Must be tied to the positive bridge supply voltage. Severe ringing must be avoided. See section on power supply requirements.
18	LSW	output	+VM	Low-Side Gate Drive Output. Connect to the gate of the W phase low-side n-channel MOSFET.
19	W	input	+VM	Bridge center and bootstrap capacitor negative connection. Connect to source pin of the high side W phase MOSFET.
20	HSW	output	+VM	High-Side Gate Drive Output. Connect to the gate of the W phase high-side n-channel MOSFET.
21	LSV	output	+VM	Low-Side Gate Drive Output. Connect to the gate of the V phase low-side n-channel MOSFET.
22	V	input	+VM	Bridge center and bootstrap capacitor negative connection. Connect to source pin of the high side V phase MOSFET.
23	HSV	output	+VM	High-Side Gate Drive Output. Connect to the gate of the V phase high-side n-channel MOSFET.
24	LSU	output	+VM	Low-Side Gate Drive Output. Connect to the gate of the U phase low-side n-channel MOSFET.
25	U	input	+VM	Bridge center and bootstrap capacitor negative connection. Connect to source pin of the high side U phase MOSFET.
26	HSU	output	+VM	High-Side Gate Drive Output. Connect to the gate of the U phase high-side n-channel MOSFET.

Pin	Name	Direction	Ref Supply	Description
28	REF_R	input	+3.3V	Right reference switch input. When enabled in software, the REF_R switch input stops motor movement in positive direction (position counter increasing) while activated.
29	REF_L	input	+3.3V	Left reference switch input. When enabled in software, the REF_L input stops motor movement in negative direction (position counter decreasing) while activated.
30	AIN	input	+3.3V	General purpose analog input using the integrated ADC of the on-board microcontroller. The resolution of this converter is 12 bit. The analog input can also be used as a digital input. The analog input voltage range is 0V to +3.3V.
31	TEMP	input	+3.3V	Analog input for temperature measurement. Connect a 10k Ω thermal resistor (NTC) to +3.3V and a 2.2k Ω resistor to ground from this pin.
32	HALL_U	input	+3.3V	Digital Hall sensor input, channel U
33	HALL_V	input	+3.3V	Digital Hall sensor input, channel V
34	HALL_W	input	+3.3V	Digital Hall sensor input, channel W
35	ENC_N	input	+3.3V	Incremental encoder input index channel
36	ENC_B	input	+3.3V	Incremental encoder input channel B
37	ENC_A	input	+3.3V	Incremental encoder input channel A
38	BRAKE	output	+3.3V	PWM output for brake chopper circuit. The BRAKE output can be used to limit the supply voltage. Connect it to an external MOSFET with load resistor to dump energy into the resistor.
39	NC	—	—	Not connected.
40	ENABLE	input	+3.3V	Enable pin. Drive low to put TMCM-1690-TMCL in low power mode. Drive high to +3.3V rail for operation. Pulled low by a built-in pull-up resistor when left open.
41	nRST	input	+3.3V	Resets the entire module when pulled low. As the module is reset automatically on power up, the nRST pin can normally be left open: it is pulled high by a built-in pull-up resistor.
42	+3.3V	input	—	+3.3V logic and interface supply voltage. See section on power supply requirements.
44	RXD	input	+3.3V	UART interface receive line
45	TXD	output	+3.3V	UART interface transmit line
46	LED_ERROR	output	+3.3V	LED output, ERROR status signal

Pin	Name	Direction	Ref Supply	Description
47	ENC2_A_SPI_MOSI	in/out	+3.3V	SPI serial data output (primarily for external absolute encoder) or incremental encoder 2 A input.
48	ENC2_B_SPI_MISO	input	+3.3V	SPI serial data input (primarily for external absolute encoder) or incremental encoder 2 B input.
49	ENC2_N_SPI_SCK	in/out	+3.3V	SPI serial clock (primarily for external absolute encoder) or incremental encoder 2 N input.
50	SPI_CSN	output	+3.3V	SPI chip select output
51	CAN_TX	in/out	+3.3V	CAN interface transmit line
52	CAN_RX	in/out	+3.3V	CAN interface receive line
53	LED_RUN	in/out	+3.3V	LED output, RUN status signal
54	CSM	input	+3.3V	Tie to ground. For future use.

Table 2: Pin Assignments TMC-1690-TMCL

5 System Architecture

TMCM-1690-TMCL comes with an MCU containing motion control algorithms, a MOSFET gate driver, and three current-sense amplifiers (CSAs). It is designed to be easily mounted either by hand soldering or reflow to a carrier board containing the power stage, user-defined connectors, and minimal support components. The TMCM-1690-TMCL features state-of-the-art field-oriented control (FOC) algorithm using hall or incremental encoder signals for permanent magnet synchronous motors (PMSM) as well as block hall commutation (six step mode) for BLDC motors. Current-, velocity- and position controller are implemented for all commutation modes and can be parameterized using the various supported protocols and interfaces. Absolute encoders can be connected through one of the available serial peripheral/port interfaces, if required by the application. The high-level system architecture is shown in [Figure 4](#).

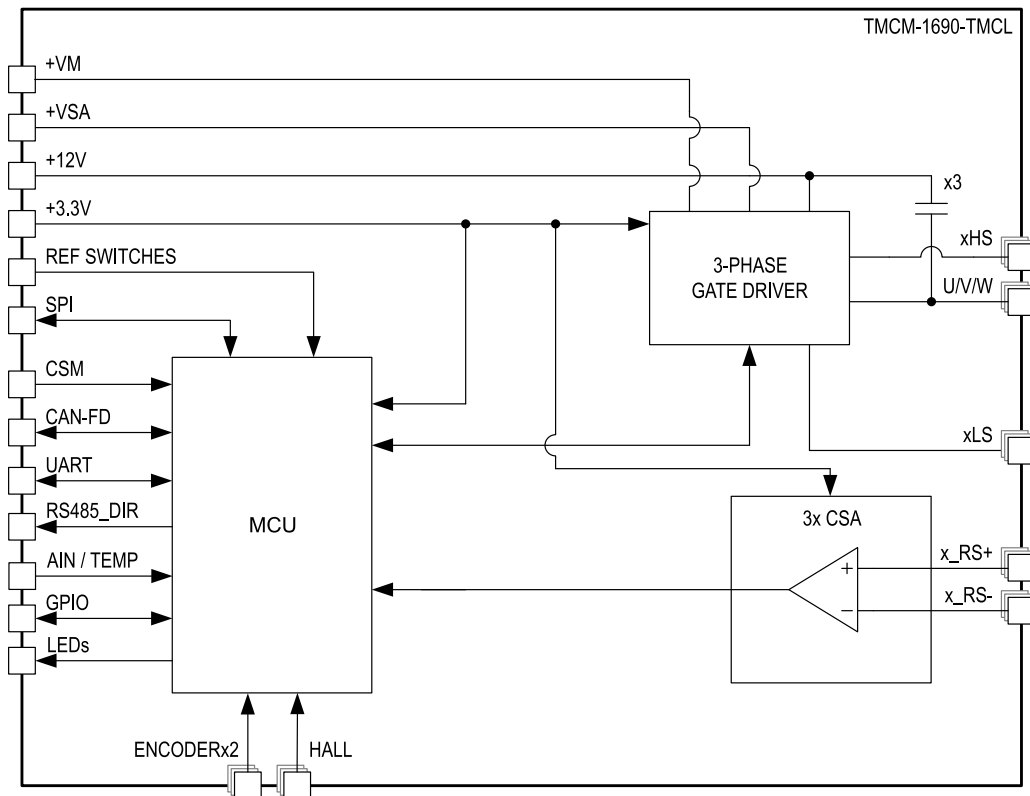


Figure 4: TMCM-1690-TMCL System Architecture

6 External Components

Very few external components are required to get started with the TMCM-1690-TMCL. The following sections highlight the requirements.

6.1 Analog Input

The analog input signal of TMCM-1690-TMCL can be used as a target value to control, for example, torque, velocity, or other parameters. The analog input voltage is routed directly to the TMCM-1690-TMCL microcontroller and is converted with a resolution of 12 bit. AIN is designed for a voltage range between 0V and 3.3V. For higher voltages, use a voltage divider plus optional protection diode, as shown in [Figure 5](#).

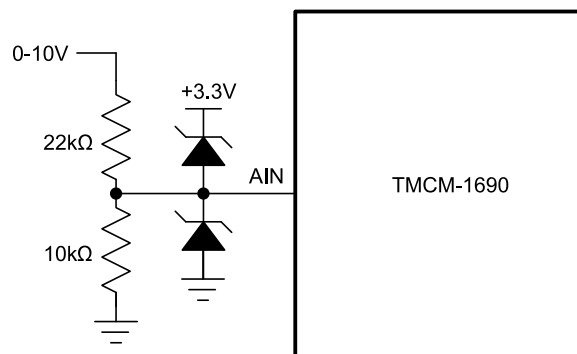


Figure 5: Protection of AIN for Higher Voltage Control

6.2 Power Supply Requirements

Two power supplies are required for the operation of TMCM-1690-TMCL in addition to the motor supply. A 12V VSA supply powers the gate driver, which is used to drive the power stage. A 3.3V I/O power supply is required to operate the motion controller and current-sense amplifiers. The MAXM15068 is a great low-touch candidate for use for the 12V supply and the MAXM17502 is an excellent choice for the 3.3V I/O supply.

In cases where the motor is run at or below 24V, it is possible to eliminate the need for the external 12V power supply by instead relying on the internal 12V LDO on the gate driver. When this configuration is desired, simply separate the +12V and VSA rails, powering VSA from the VM supply and leaving +12V floating. When the motor is run with a supply greater than 24V nominal, the power dissipation in the LDO is too high and VSA should be connected externally to +12V and both should be supplied by a 12V power supply (see [Figure 6](#)).

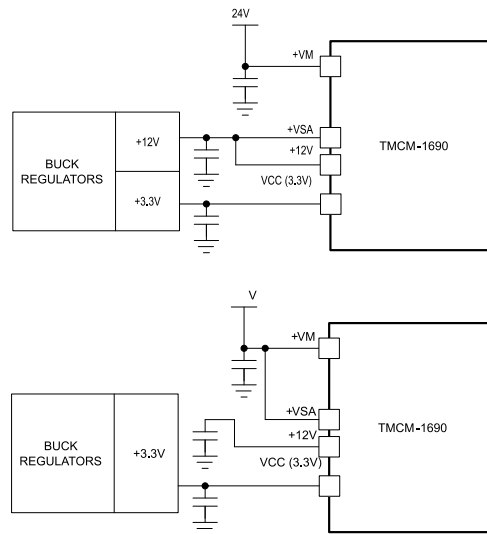


Figure 6: Power Supply Configurations

The TMCM-1690-TMCL includes small bypass capacitances, which filter power supply ripple arising from small local inductances. External bulk capacitances must be placed to handle the much larger board level parasitics and to provide a stable power supply for the TMCM-1690-TMCL. It is recommended that the 3.3V rail be bypassed by minimum $10\mu\text{F}$ of capacitance. The VM and VSA (12V) supplies should be bypassed externally by roughly $9\mu\text{F}$ to $10\mu\text{F}$ minimum as well. To minimize ESR, place two $4.7\mu\text{F}$ capacitors in parallel. All bypass capacitors should be placed as close to the pin as possible.

6.3 Power Stage – MOSFET Bridge

The TMCM-1690-TMCL uses the TMC6100 high-power gate-driver for PMSM servo or BLDC motors. Using six external MOSFETs, the TMCM-1690-TMCL controls motors in power ranges from watts to kilowatts. Software-controlled drive strength allows in-system EME optimization. Programmable safety features like short detection and overtemperature thresholds together with an SPI for diagnostics allow robust and reliable designs. With the TMCM-1690-TMCL, minimal external components are required to build a rugged drive with full protection and diagnostics. The driver is capable of driving the MOSFETs' gates with controlled gate charge current options of 0.5A, 1A, or 1.5A. This allows the user to reduce dynamic losses and improve system efficiency over a broad power range. External series resistors can also be used to further shape the slope of the curve, if necessary.

The selection of power MOSFETs depends on a number of factors, like package size, on-resistance, gate charge, voltage rating, and supplier availability. It is not true that larger, lower RDS-ON MOSFETs are always better since a larger device also has higher capacitances. Larger capacitances may add more ringing in trace inductance and may also lead to increased power dissipation in the gate drive circuitry. MOSFETs should be selected first based on the required motor voltage (adding 5V to 10V of reserve to the peak supply voltage for margin) and the desired maximum current. Current requirements must be met both in terms of the rated current of the device as well as in terms of resistive power losses, which result in power losses that can be dissipated by the chosen MOSFET package. TMCM-1690-TMCL drives the MOSFET gates with roughly 10V. Therefore, normal 10V specified gate voltage MOSFETs are sufficient. Logic level FETs (4.5V specified RDS-ON) do also work but may be more susceptible to bridge cross-conduction due to lower $V_{GS(th)}$.

The gate-drive current and MOSFET gate resistors R_G (optional) should be chosen based on the MOSFET gate-drain charge (Miller charge) to yield reasonable slope times. Figure 7 shows how the Miller charge influences the switching event.

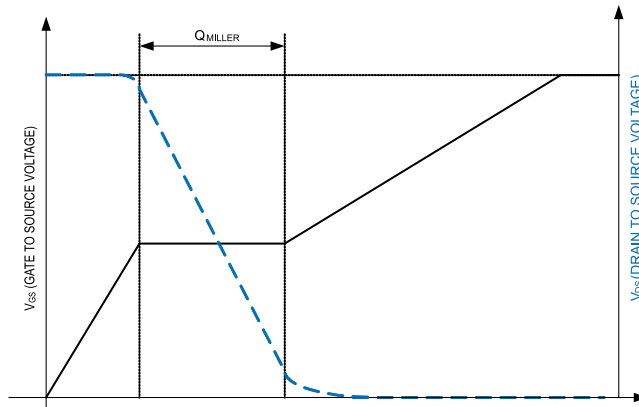


Figure 7: Miller Charge Determines Switching Slope

Figure 8 additionally shows the switching events in different load situations (load pulling the output up or down), and the required bridge brake-before-make time. Note that modern MOSFETs with fast and soft recovery bulk diodes and low reverse recovery charge should be chosen. A small, SMD MOSFET package allows for more compact routing, which reduces the effects of parasitic inductances.

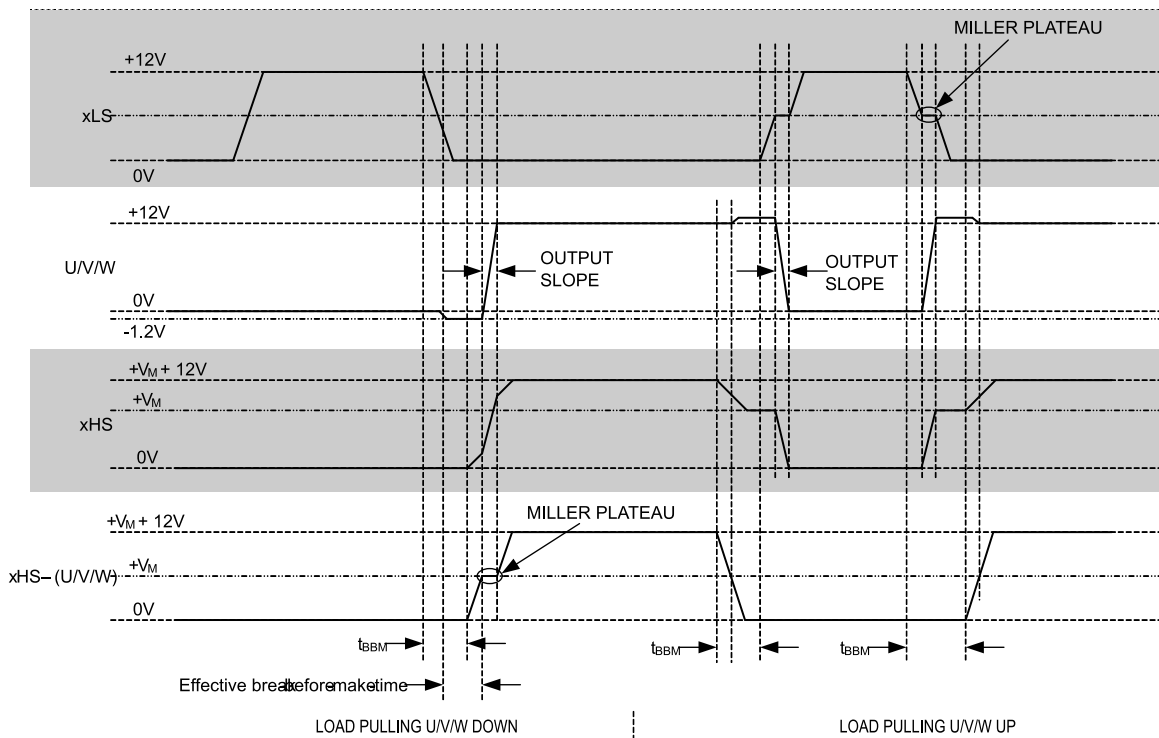


Figure 8: Slopes, Miller Plateau, and Blanking Time

Table 3 offers a rule of thumb for the MOSFET driver current (DRVSTRENGTH setting) and the selection of gate resistors (R_G).

Miller Charge [nC] (typ)	DRVSTRENGTH setting	Gate Resistor R_G [Ω]
<10	0 or 1	≤ 10 (recommended)
10 to 20	0 to 2	≤ 5 (optional)
20 to 80	1 to 3	≤ 2.5 (optional)
>80	3	≤ 1 (optional)

Table 3: MOSFET Miller Charge vs. DRVSTRENGTH Setting and Gate Resistor R_G

Use the lowest gate driver strength setting DRVSTRENGTH giving favorable switching slopes, before increasing the value of the gate series resistors. A slope time of 40ns to 80ns is sufficient and is normally covered by a break-before-make (BBM) time setting of 1 to 4 (4 is default). In case slower slopes have to be used, for example with large MOSFETs, ensure that the break-before-make time sufficiently covers the switching event to avoid bridge cross conduction. The shortest break-before-make time, safely covering the switching event, gives best results. Add roughly 30% of margin to cover manufacturing variations in the MOSFETs and driver.

The TMC1690-TMCL provides an increased hold OFF gate current to avoid cross-conduction in the bridge, which can be induced by high dV/dt on the U/V/W node. This protection is less effective when using gate resistors (R_G). Therefore, a diode in parallel with R_G may be required to ensure that the high-side (low-side) MOSFETs are held safely OFF during switching events on the low-side (high-side) MOSFET. Break-before-make timing on the gate driver can be configured per the appropriate firmware user guide based on the version in use.

6.3.1 Tuning of the MOSFET Bridge

To ensure low power dissipation and good EMC behavior, a clean switching event with limited ringing is essential. Poor layout and/or improperly selected components can endanger stable operation of the circuit. Therefore, it is important to understand the effect of parasitic trace inductivity and MOSFET reverse recovery.

Stray inductances in power routing cause ringing whenever the opposite MOSFET is in diode conduction prior to switching on a low-side or high-side MOSFET. Diode conduction occurs during break-before-make time whenever the load current is inverse to the following bridge polarity. The MOSFET bulk diode has a certain, type-specific reverse recovery time and charge. This time typically is in the range of a few 10ns. During reverse recovery time, the bulk diode causes high current flow across the bridge. This current is taken from the power supply filter capacitors (see the thick lines in Figure 9). Once the diode opens, parasitic inductances try to keep the current flowing.

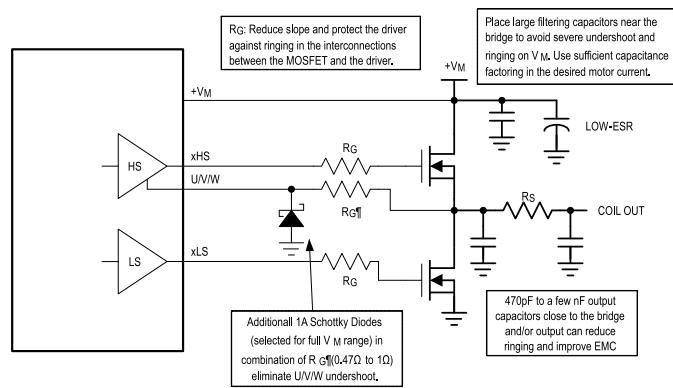


Figure 9: Bridge Protection Options and Power Routing Ringing Mitigation

A high, fast slope results and leads to ringing in all parasitic inductances (see Figure 10, Figure 11, and Figure 12). This ringing may lead to bridge voltage undershooting the GND level as well as fast pulses on the gate driver source and all MOSFET connections. The driver IC must not see spikes on its U/V/W pins to GND going below -5V. Additionally, severe gate driver source ripple can potentially overload the charge-pump circuitry. Measure the voltage directly at the driver pins to driver GND to see the effects of the parasitics with a given layout. The amount of undershoot depends on energy stored in parasitic inductances from low side drain to low side source and to GND (including any sense resistances). When using relatively small MOSFETs, a soft slope control requires a high gate series resistance. This endangers safe MOSFET switch off. Add additional diodes to ensure safe MOSFET off conditions with slow switch-on slopes (Figure 13).

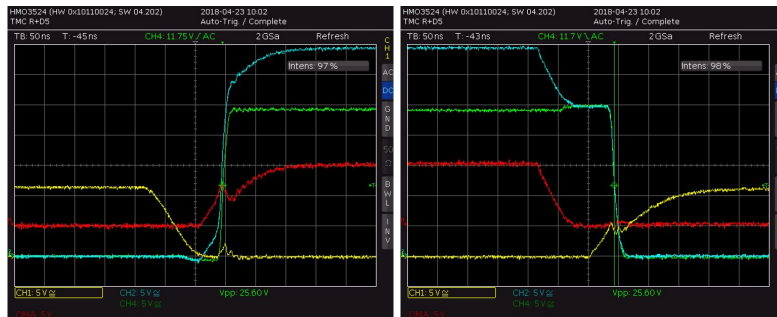


Figure 10: Ringing of Output (Green) and Gate Voltages (Yellow, Blue) with DRVSTRENGTH = 0

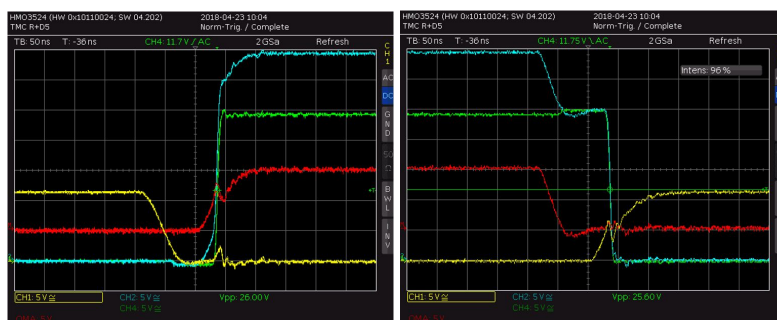


Figure 11: Ringing of Output (Green) and Gate Voltages (Yellow, Blue) with $DRVSTRENGTH = 2$

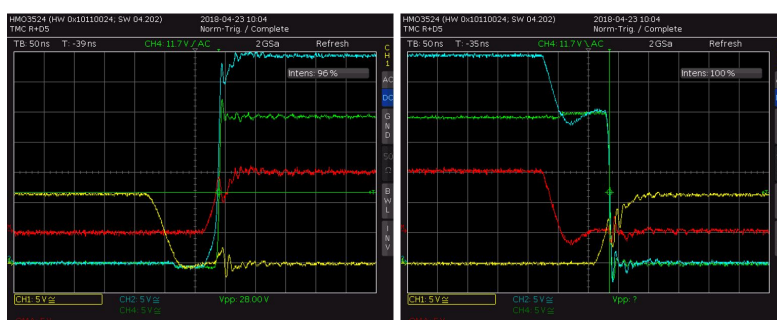


Figure 12: Ringing of Output (Green) and Gate Voltages (Yellow, Blue) with $DRVSTRENGTH = 3$

Tips for success:

1. Use SMD MOSFETs and short interconnections.
2. Provide sufficient power filtering capacity close to the bridge and close to VM pin.
3. Tune MOSFET switching slopes (measure switch-on event at MOSFET gate) to be slower than the MOSFET bulk diode reverse recovery time. This reduces cross conduction.
4. Add optional gate resistors close to MOSFET gate and output capacitors to ensure clean switching and reliable operation by minimizing ringing.
5. Some MOSFETs eliminate reverse recovery charge by integrating a fast diode from source to drain.

6.3.2 Bridge Optimization Example

Figure 13 shows a driver for a 15A/60V application using the MOSFET BSC037N08NS (3.7m Ω , 80V, QG = 56nC, $t_{RR} = 41$ ns). The MOSFETs offer roughly 20ns slope time at the lowest driver strength setting. Switching quality is good and signals are clean (see Figure 8). At double drive strength, the slope time halves, and switching events still are clean. When increasing to full gate drive strength, faster slopes lead to increased ringing on all signals. Low or medium slope setting is best. Additional gate resistors or 1nF output capacitors do not bring any additional improvement. The layout already proves to be good with no additional components required!

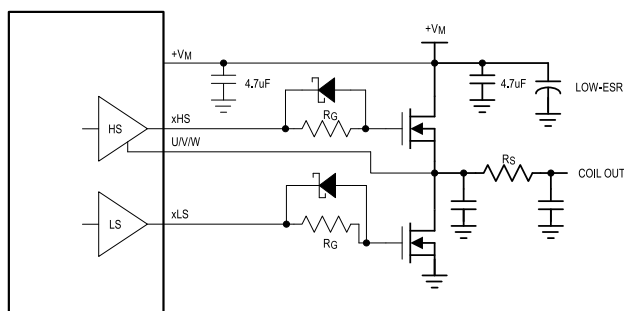


Figure 13: Bridge Design Example

6.3.3 Bridge Layout Considerations

- Tune the bridge layout for minimum loop inductivity. A compact layout is best.
- Keep MOSFET gate connections short and straight and avoid loop inductivity between bridge feedback (U,V,W) and corresponding HS driver pin. Loop inductance is minimized with parallel traces, or adjacent traces on adjacent layers. A wider trace reduces inductivity (do not use minimum trace width).
- Place the TMC6100-1690-TMCL near the low side MOSFETs GND connections, with its GND connections directly connected to the same GND plane.
- Optimize switching behavior by using lowest acceptable gate current setting.
- Check influence of optional components shown in Figure 9.
- Measure the performance of the bridge by probing BM pins directly at the bridge or at the TMC6100 using a short GND tip on the scope probe rather than a GND cable, if available.

6.3.4 Current Sensing Resistors

Direct coil current measurement is recommended for FOC in both hall- or encoder-mode operation. Therefore, the TMC6100-1690-TMCL includes three current-sense amplifiers capable of handling the high common mode excursions required for in-line current sensing. Current-sense resistors should be placed in-line with each phase, and Kelvin sense connections should be run to the corresponding x_RS+ and x_RS- lines for each phase. The same connection can also optionally be used for block hall commutation, though it is not necessary. A low-side current-sense mode is also available for applications where this is preferred. Tie CSM to the +3.3V rail for in-line current sensing and to GND for bottom shunt current sensing. Figure 15 and Figure 16 illustrate the in-line and bottom shunt current sensing.

For in-line current sensing, the internal current-sense amplifiers have a gain of 10 and the outputs should remain in the range of 0V to +3.3V. The output of the amplifiers is internally connected to a 12-bit ADC, which centers the zero current at +3.3V/2 = 1.65V. A margin of roughly 10% at the high and low sides should be included to prevent saturation of the amplifiers and/or exceeding the full-scale range of the ADC when close to maximum current. The following equation can be used to select the appropriate sense resistor.

$$R_{SENSE} = \frac{0.148V}{I_{PEAK_TARGET}} = \frac{0.148V}{\sqrt{2} \times I_{RMS_TARGET}}$$

The power losses in these sense resistors can be calculated by the following formula:

$$P_{LOSS_RSNS} = \left(\frac{I_{PEAK_TARGET}}{\sqrt{2}}\right)^2 \times R_{SENSE} = (I_{RMS_TARGET})^2 \times R_{SENSE}$$

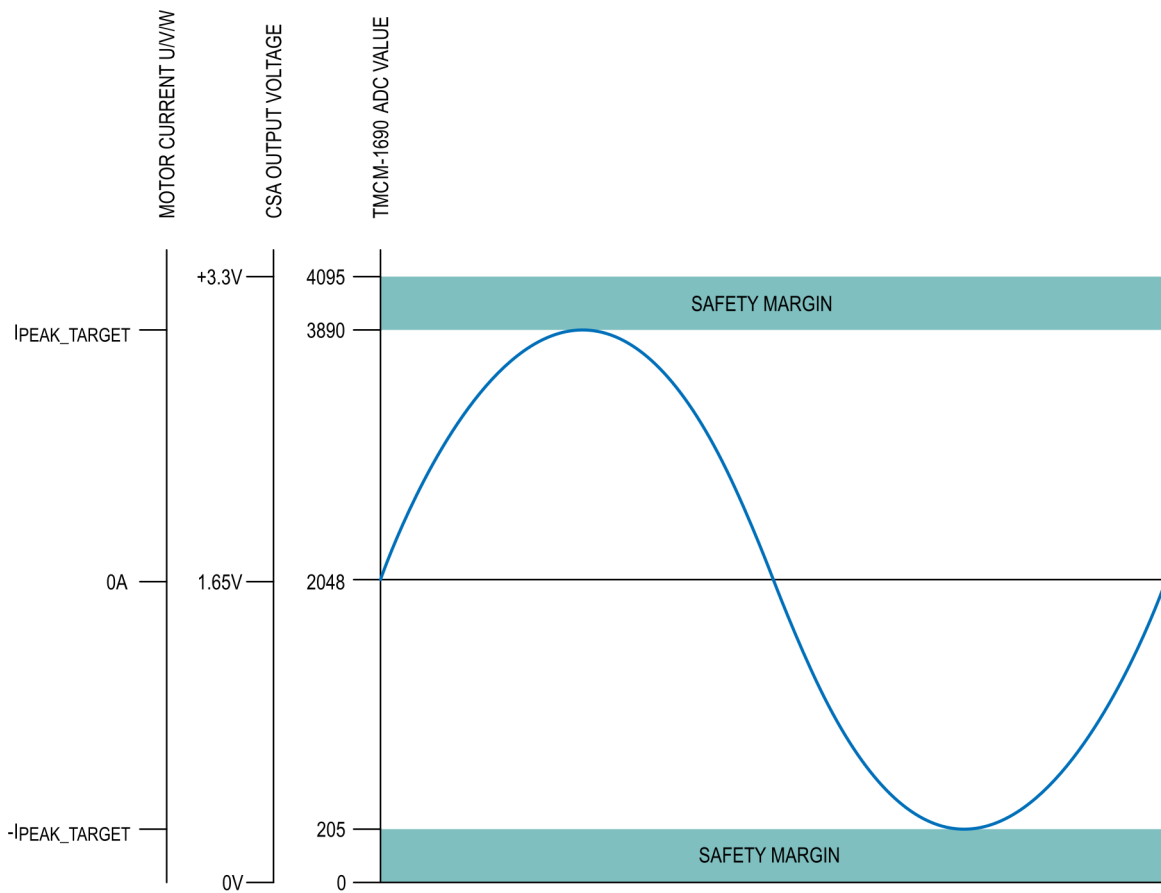


Figure 14: Direct Coil Current Sense Resistor Selection

For bottom shunt current sensing, the internal current-sense amplifiers still have a gain of 10 and the outputs should again remain in the range of 0V to +3.3V. The output of the amplifiers is internally connected to a 12-bit ADC, which centers the zero current at $+3.3V/2 = 1.65V$. Margin of roughly 10% at the high side should be included to prevent saturation of the amplifiers and/or exceeding the full-scale range of the ADC when close to maximum current. The same equation detailed above for in-line current sensing can be used to select the sense resistor for bottom-shunt current sensing.

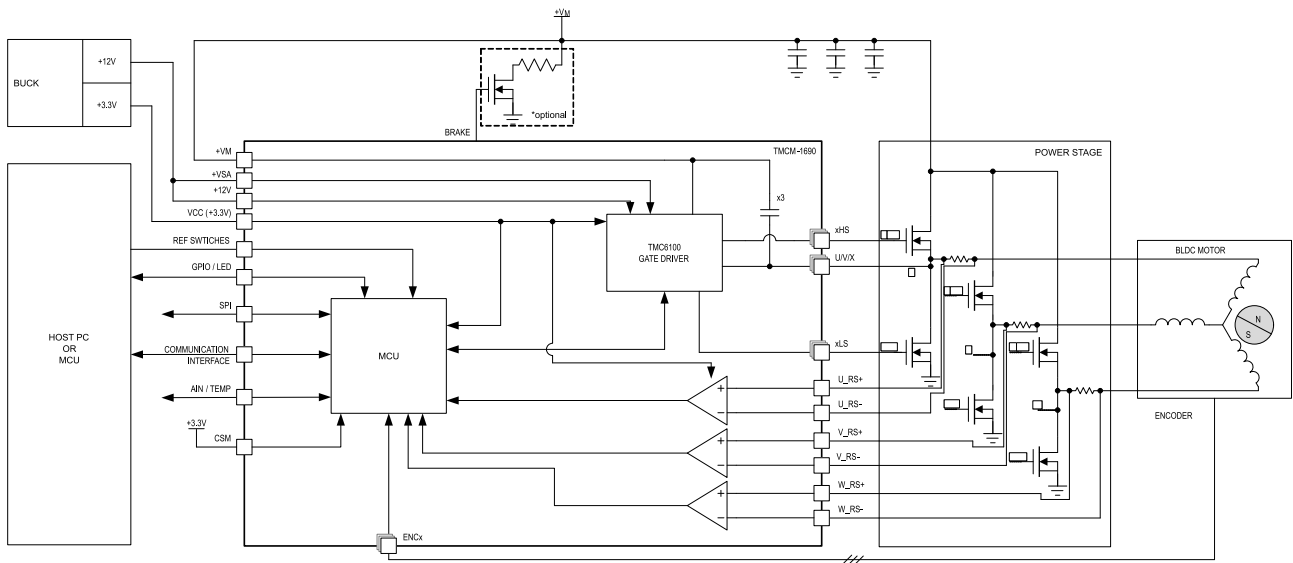


Figure 15: Inline Current Sense

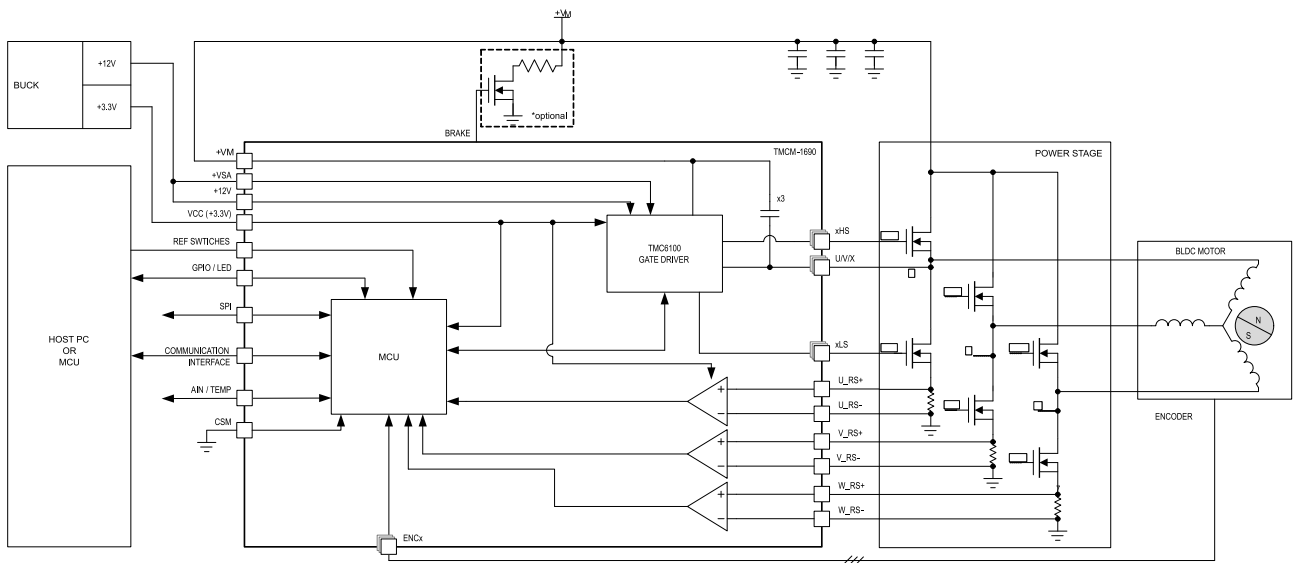


Figure 16: Bottom Shunt Current Sense

6.4 Diagnostics and Protections

TMCM-1690-TMCL supplies a complete set of diagnostic and protection capabilities, like short circuit protection and undervoltage detection. See the firmware manual for full details.

6.4.1 Temperature Sensors

TMCM-1690-TMCL includes a TEMP input for temperature monitoring of the external power stage. Place a thermistor in thermal contact with one of the external MOSFETs, as shown in Figure 17, to monitor the temperature of the bridge.

TMCM-1690-TMCL's on-board gate driver also integrates a four-level temperature sensor (120°C pre-warning and selectable 136°C/143°C/150°C thermal shutdown) for diagnostics, and for protection of the IC and power MOSFETs and adjacent components against excess heat. Choose the overtemperature level to safely cover error conditions like missing heat convection. In typical applications, however, heat is mainly generated by the power MOSFETs, and, at increased voltage, by the internal voltage regulators. For many applications, already the overtemperature pre-warning indicates an abnormal operation situation and can be used to initiate user warning or power reduction measures like motor current reduction. The thermal shutdown is just an emergency measure and temperature rising to the shutdown level should be prevented by design.

After triggering the overtemperature sensor (ot flag), the driver remains switched off until the system temperature falls below the pre-warning level (otpw) to avoid continuous heating to the shutdown level. Full details on software implementation of all temperature sensors can be found in the firmware user guide for each firmware version.

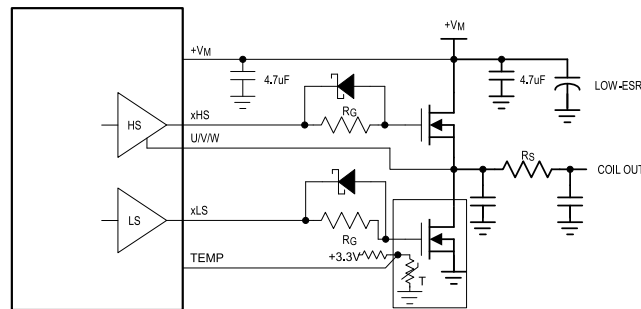


Figure 17: Thermistor Implementation

6.4.2 Gate Driver Short Circuit Protection

TMCM-1690-TMCL protects the MOSFET power stages against a short circuit or overload condition by monitoring the voltage drop in the high-side MOSFETs, as well as the voltage drop in the low-side MOSFETs (Figure 18). A programmable short detection delay allows adjusting the detector to work with very slow switching slopes. Additionally, the short detector allows filtering of the signal. This helps to prevent spurious triggering caused by effects of PCB layout, or long, adjacent motor cables. All control bits are available through an internal register. Additionally, the short detection is protected against single events, for example caused by electrostatic discharges (ESD events), by retrying up to three times (configurable between one and three) before switching off the motor continuously.

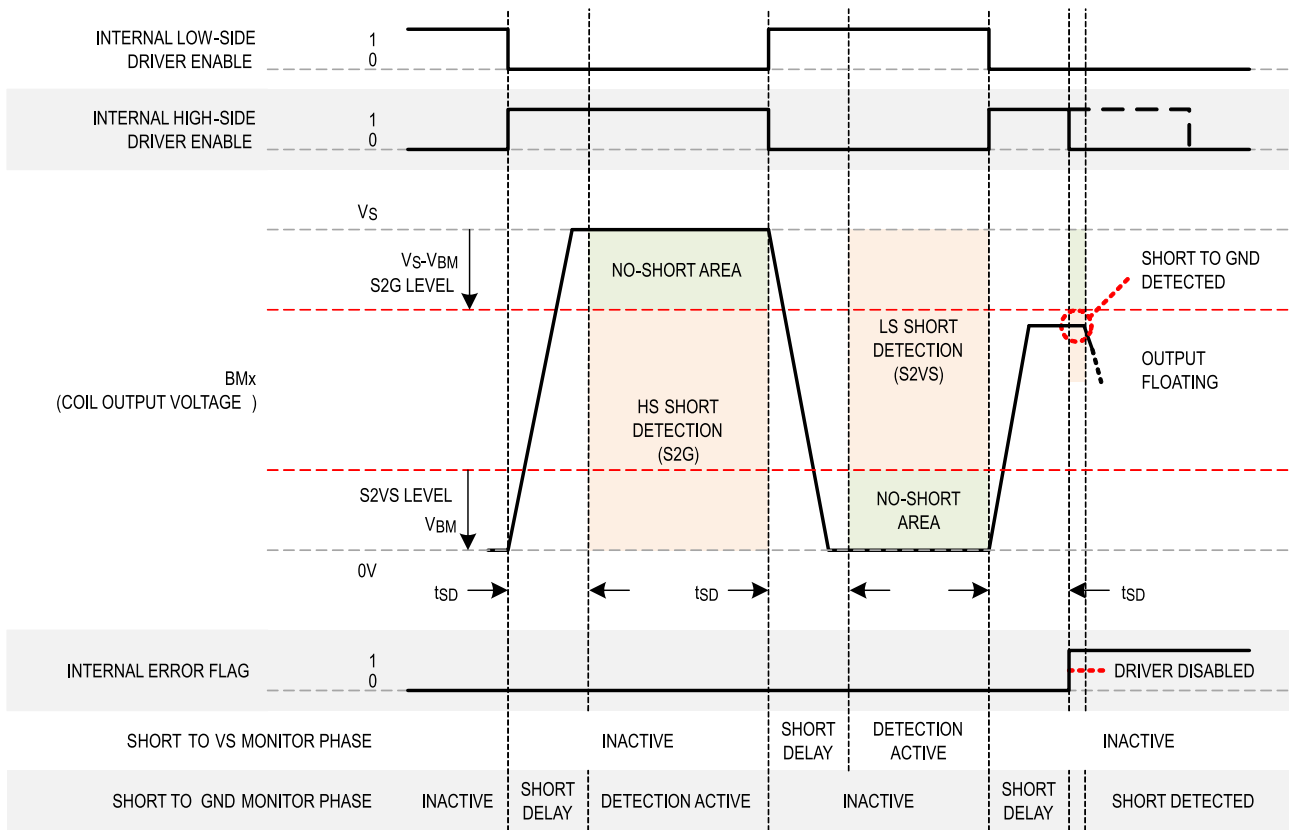


Figure 18: Short Detection (UV/W Outputs)

The following is a list of configurable aspects of the short circuit protection scheme. Details on the setting ranges specifics about how to change them can be found in the firmware manuals.

- Short or overcurrent detector level for lowside FETs. Checks for voltage drop in LS MOSFET and/or bottom shunt sense resistor when in low side mode. This parameter may be tuned for sensitive detection.
- Short to GND detector level for highside FETs. Checks for voltage drop on high side MOSFET. Use high setting to avoid false detection.
- Spike filtering bandwidth for short detection. Increase value if erroneous short detection occurs.
- Number of retries after short detection until permanent bridge shutdown.
- Short detection delay. Ensure the delay covers the bridge switching time.
- Disable short to VS protection.
- Disable short to GND protection.
- Option to respond individually to half bridge protection needs or to disable all bridges upon single half-bridge short condition.

6.4.3 Avoiding Power Supply Overshoot

To avoid power supply overshoot during events like deceleration where energy is fed back from the motor to the supply, the TMCM-1690-TMCL includes a brake chopper output, which can be connected to a low-

side N-channel MOSFET. The brake chopper duty cycle is actively adapted to control overshoot on the supply. [Figure 15](#) and [Figure 16](#) show an example circuit.

7 TMCL Protocol Firmware

The Trinamic Motion Control Language (TMCL) is a versatile protocol that can be used with a CAN, UART, RS232, or RS485 interface. While it is mainly developed for evaluation kits and programming standalone TMCL applications, it is widely used by customers who like the intuitive and free to use graphical user interface that comes with it. This TMCL-IDE user interface is a flexible integrated development environment supporting the use of TMCL commands in direct mode and which monitors real-time behavior visualized in graphs, and logs and stores data. All settings can quickly be exported for use in own firmware project. Details on implementation are found in the TMCM-1690-TMCL TMCL firmware manual.

An easy-to-use, guided GUI is provided to ease bring-up and parametrization. For further ease of use, TMCL programs can be stored in the on-board electrically erasable programmable read-only memory (EEPROM), if available on that board. Programs stored in EEPROM can be executed after power-up or when triggered by the system host. An analog input is also available for simple standalone applications or evaluation.

The TMCM-1690-TMCL TMCL version can be used with a standard UART connection or any other serial interface when using an external transceiver (for example, RS485 or CAN).

8 Communication

8.1 RS485

For remote control and communication with a host system, the TMC-1690-TMCL provides a two-wire RS485 bus interface. For proper operation, consider the following items when setting up an RS485 network.

1. BUS STRUCTURE:

The network topology should follow a bus structure as closely as possible. That is, the connection between each node and the bus itself should be as short as possible. Basically, it should be short compared to the length of the bus.

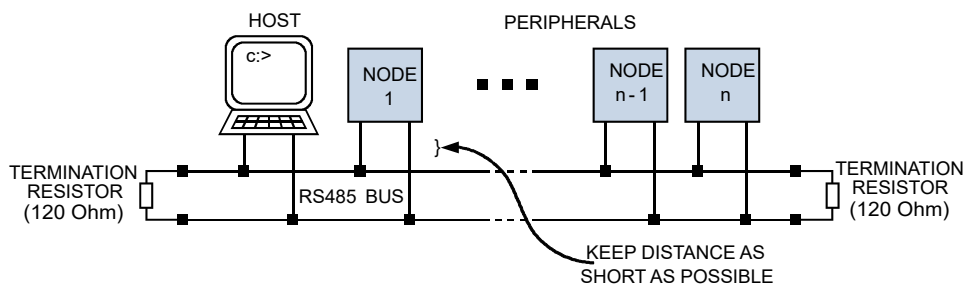


Figure 19: RS485 Bus Structure with Termination Resistors

2. BUS TERMINATION:

For longer buses and/or multiple nodes connected to the bus and/or high communication speeds, the bus should be properly terminated at both ends. The TMC-1690-TMCL does not integrate any termination resistor. Therefore, 120 Ω termination resistors at both ends of the bus have to be added externally.

3. NUMBER OF NODES:

The RS485 electrical interface standard (EIA-485) allows up to 32 nodes to be connected to a single bus. The bus transceiver used on the TMC-1690-TMCL units (MAX22501) offers a significantly reduced bus load compared to the standard and allows a maximum of 255 units to be connected to a single RS485 bus using standard TMCL firmware.

Usually, reliable communication and maximum supported communication speed cannot be expected at the same time with the maximum number of nodes connected to one bus. Instead, a compromise has to be found between bus cable length, communication speed, and number of nodes.

4. COMMUNICATION SPEED:

The maximum RS485 communication speed supported by the TMC-1690-TMCL hardware is 1Mb/s. Factory default is 115200 bit/s. Refer to the separate TMC-1690-TMCL TMCL firmware manual for information regarding other possible communication speeds below the upper hardware limit.

5. NO FLOATING BUS LINES:

Avoid floating bus lines while neither the host nor one of the peripherals along the bus line is transmitting data (all bus nodes switched to receive mode). Floating bus lines may lead to communication errors. To ensure valid signals on the bus, it is recommended to use a resistor network connecting both bus lines to well defined logic levels.

There are two recommended options:

- a) Add a resistor (bias) network on one side of the bus only. A 120 Ω termination resistor is still required at both ends.

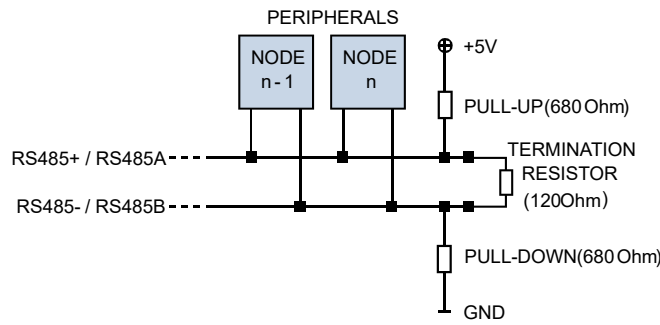


Figure 20: RS485 Bus Lines with Resistor (Bias) Network on One Side Only

b) Add a resistor network at both ends of the bus in addition to the 120Ω termination resistors.

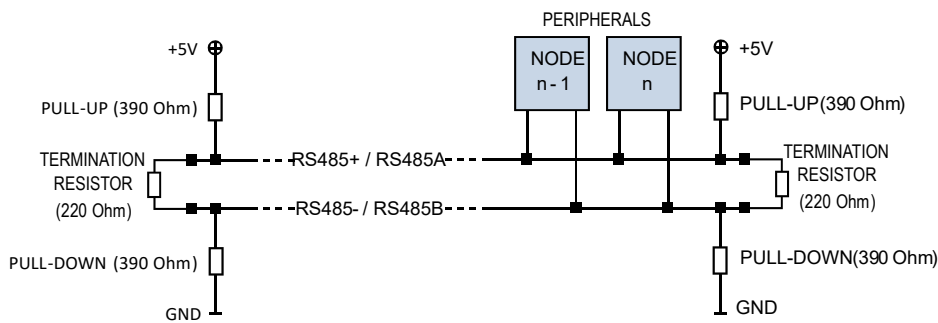


Figure 21: RS485 Bus Lines with Dual Resistor Network Line Termination

8.2 CAN

TMCM-1690-TMCL provides a CAN bus interface. The bus transceiver is not integrated on the TMCM-1690-TMCL. For proper operation, consider the following items when setting up a CAN network.

1. BUS STRUCTURE:

The network topology should follow a bus structure as closely as possible. That is, the connection between each node and the bus itself should be as short as possible. Basically, it should be short compared to the length of the bus.

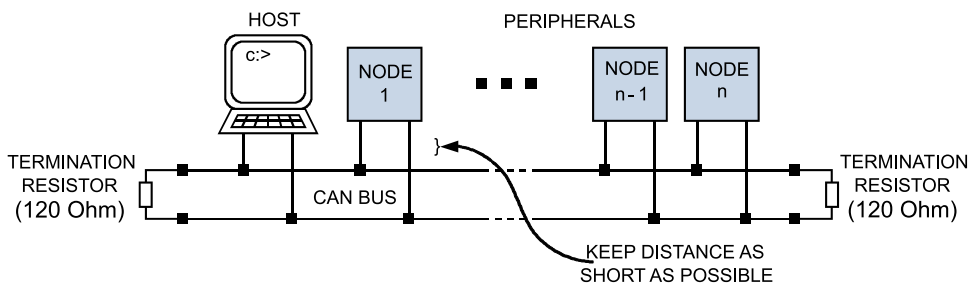


Figure 22: CAN Bus Structure with Termination Resistors

2. BUS TERMINATION:

For longer buses and/or multiple nodes connected to the bus and/or high communication speeds,

the bus should be properly terminated at both ends. The TMCM-1690-TMCL does not integrate any termination resistor. Therefore, 120 Ω termination resistors at both ends of the bus have to be added externally. The number of nodes per CAN bus highly depend on bus length (longer bus -> less nodes) and communication speed (higher speed -> less nodes).

9 Absolute Maximum Ratings

Symbol	Description	Min	Max	Unit
VM	Motor supply voltage range	-0.5	65	V
VM	Short duration max (limited by peak voltage on charge pump output and internal bootstrap cap voltages)		70	V
VSA	Motor driver supply voltage range	-0.5	65	V
+12V	Motor driver supply voltage range	-0.5	15	V
+3.3V	Logic supply voltage range	-0.3	4	V
U, V, W	Peak voltage due to inductive kick	-6	VSA + 6	V
LSU, LSV, LSW		-0.5	15	V
HSU, HSV, HSW		-0.5	VM + 15	V
U_RS+, U_RS-, V_RS+, V_RS-, W_RS+, W_RS-		-5	70	V
U_RS+ to U_RS-, V_RS+ to V_RS-, W_RS+ to W_RS-		-2	2	V
All other pins		-0.3	4	V
Continuous current into x_RS+ and x_RS-		-10	10	mA
Continuous current into any other pin		-5	5	mA
T _{ENV}	Operating temperature range	-30	60	°C
T _{SHELF}	Storage temperature range	-40	125	°C

Table 4: Absolute Maximum Ratings

NOTICE

Stresses outside the ranges listed in Table 4 may cause permanent damage to the device. This is a stress rating only and functional operation of the device at those or any other conditions above those indicated in the operation listings of this specification is not implied. Exposure close to or outside the maximum rating conditions for extended periods may affect device reliability.

10 Electrical Characteristics

Symbol	Description	Min	Typ	Max	Unit
POWER SUPPLY INPUTS OPERATING VOLTAGE RANGES					
V_{VM_IN}	VM Input Operating Voltage Range	10	48	60	V
V_{VSA_IN}	VSA Input Operating Voltage Range	10	12	60	V
V_{+12V_IN}	+12V Input Operating Voltage Range	11	12	13	V
$V_{+3.3V_IN}$	+3.3V Input Operating Voltage Range	3.0	3.3	3.6	V
GATE DRIVER POWER SUPPLY CURRENT RATINGS					
I_S	Total gate driver supply current, driver disabled		10	15	mA
I_{VSA}	VSA supply current with $f_{CLK} = 24\text{MHz}$, internal clock, driver disabled		7		mA
LINEAR REGULATOR (+12V OUT PIN — ONLY WHEN OPERATING BELOW 24V)					
V_{12VOUT}	See also section on power supply requirements	10.8	11.5	12.2	V
DIGITAL PINS					
V_{IL}	Input logic level low			$0.3 \times V_{+3.3V}$	V
V_{IH}	Input logic level high	$0.7 \times V_{+3.3V}$			V
V_{IN_HYST}	Input logic level hysteresis		$0.1 \times V_{+3.3V}$		V
V_{OL}	Output low voltage, $I_{OUT_LO} = 2\text{mA}$			0.2	V
V_{OH}	Output high voltage, $I_{OUT_HI} = -2\text{mA}$	$V_{+3.3V} - 0.2$			V
I_{LEAK}	Input leakage current	-10		10	μA
AIN, TEMP					
V_I	Input voltage range	0		3.3	V
	Resolution		12		bits
GATE DRIVER					
R_{ONL}	R_{DS_ON} Low-Side Off-State Driver		1.0	1.6	Ω
R_{ONH}	R_{DS_ON} High-Side Off-State Driver		1.3	2.0	Ω
$I_{SLPONLS0_2V}$	Low-Side Gate Driver Current, Turning on, at $V_{GS} = 2\text{V}$, $DRIVESTRENGTH = 0$		400		mA
$I_{SLPONLS2_2V}$	Low-Side Gate Driver Current, Turning on, at $V_{GS} = 2\text{V}$, $DRIVESTRENGTH = 2$		800		mA
$I_{SLPONLS3_2V}$	Low-Side Gate Driver Current, Turning on, at $V_{GS} = 2\text{V}$, $DRIVESTRENGTH = 3$		1200		mA
$I_{SLPOFFLS0_4V}$	Low-Side Gate Driver Current, Turning off, at $V_{GS} = 4\text{V}$, $DRIVESTRENGTH = 0$		600		mA

$I_{SLPOFFLS2_4V}$	Low-Side Gate Driver Current, Turning off, at $V_{GS} = 4V$, DRIVESTRENGTH = 2		1200		mA
$I_{SLPOFFLS3_4V}$	Low-Side Gate Driver Current, Turning off, at $V_{GS} = 4V$, DRIVESTRENGTH = 3		1800		mA
$I_{SLPONHS0_2V}$	High-Side Gate Driver Current, Turning on, at $V_{GS} = 2V$, DRIVESTRENGTH = 0		400		mA
$I_{SLPONHS2_2V}$	High-Side Gate Driver Current, Turning on, at $V_{GS} = 2V$, DRIVESTRENGTH = 2		800		mA
$I_{SLPONHS3_2V}$	High-Side Gate Driver Current, Turning on, at $V_{GS} = 2V$, DRIVESTRENGTH = 3		1200		mA
$I_{SLPOFFHS0_4V}$	High-Side Gate Driver Current, Turning off, at $V_{GS} = 4V$, DRIVESTRENGTH = 0		600		mA
$I_{SLPOFFHS2_4V}$	High-Side Gate Driver Current, Turning off, at $V_{GS} = 4V$, DRIVESTRENGTH = 2		1200		mA
$I_{SLPOFFHS3_4V}$	High-Side Gate Driver Current, Turning off, at $V_{GS} = 4V$, DRIVESTRENGTH = 3		1800		mA
t_{BBM0}	Minimum Effective BBM Time, Individual LS and HS signals (Singleline = 0)	30	50	70	ns
t_{DLY}	Propagation Delay Time, Time from LS/HS Input signal change to start of driver output change	65	85	110	ns
t_{DLY_MATCH}	Propagation Delay Matching, Individual LS and HS signals (Singleline = 0)			10	ns
V_{CP}	Charge Pump Output Voltage	$V_{12VOUT} - 2$	$V_{12VOUT} - 1$		V
$V_{VCP} - V_{VM}$	Charge Pump Voltage Threshold for Undervoltage Detection, rising, using internal 5V regulator voltage	4.5	5.5	6.5	V
f_{CP}	Charge Pump Frequency		$1/32 f_{CLKOSC}$		Hz
GATE DRIVER INTERNAL CLOCK					
f_{CLKOSC}	$T_J = -50^{\circ}C$		23.4		MHz
f_{CLKOSC}	$T_J = 50^{\circ}C$	23.0	24.0	26.0	MHz
f_{CLKOSC}	$T_J = 150^{\circ}C$		24.2		MHz
SHORT DETECTION (VS CONNECTS TO VM INSIDE TMCM-1690)					
t_{SD0}	Short-to-GND Detection Delay, $FILT_ISENSE = 0$, $S2xx_LEVEL = 6$, $shortdelay = 0$	0.5	0.85	1.1	μS
t_{SD1}	Short-to-GND Detection Delay, $shortdelay = 1$	1.1	1.6	2.2	μS
V_{BM}	Short Detection Level $S2VS$, Measurement includes drop in case of bottom shunt current sensing, $S2VS_LEVEL = 15$	1.4	1.56	1.72	V

V_{BM}	Short Detection Level S2VS, Measurement includes drop in case of bottom shunt current sensing, S2VS_LEVEL = 6	0.550	0.625	0.700	V
$V_{VS} - V_{BM}$	S2G_LEVEL = 15, VM < 52V	1.30	1.56	1.85	V
$V_{VS} - V_{BM}$	S2G_LEVEL = 15, VM < 60V	1.00			V
$V_{VS} - V_{BM}$	S2G_LEVEL = 6, VM < 52V	0.460	0.625	0.850	V
$V_{VS} - V_{BM}$	S2G_LEVEL = 6, VM < 60V	0.200			V
CURRENT SENSE INPUTS					
V_{CM}	Input common mode range	-0.3		65	V
V_{SENSE}	Input differential voltage range	-0.165		0.165	V
	Nominal gain		10		V/V

Table 5: General Operational Ratings of the Module

11 Figures Index

1	Board Dimensions and Pin Positions .	5	12	Ringling of Output (Green) and Gate Voltages (Yellow, Blue) with DRVSTRENGTH = 3	17
2	Pin Dimensions and Recommended Pad Size	5	13	Bridge Design Example	18
3	TMCM-1690-TMCL Pinout (Top View)	6	14	Direct Coil Current Sense Resistor Selection	19
4	TMCM-1690-TMCL System Architecture	11	15	Inline Current Sense	20
5	Protection of AIN for Higher Voltage Control	12	16	Bottom Shunt Current Sense	20
6	Power Supply Configurations	13	17	Thermistor Implementation	21
7	Miller Charge Determines Switching Slope	14	18	Short Detection (U/V/W Outputs)	22
8	Slopes, Miller Plateau, and Blanking Time	14	19	RS485 Bus Structure with Termination Resistors	24
9	Bridge Protection Options and Power Routing Ringing Mitigation	16	20	RS485 Bus Lines with Resistor (Bias) Network on one Side only	25
10	Ringling of Output (Green) and Gate Voltages (Yellow, Blue) with DRVSTRENGTH = 0	16	21	RS485 Bus Lines with dual Resistor network Line Termination	25
11	Ringling of Output (Green) and Gate Voltages (Yellow, blue) with DRVSTRENGTH = 2	17	22	CAN Bus Structure with Termination Resistors	25

12 Tables Index

1	TMC1690-TMCL Order Code	4	5	General Operational Ratings of the Module	30
2	Pin Assignments TMC1690-TMCL	10	6	Hardware Revision	35
3	MOSFET Miller Charge vs. DRVSTRENGTH Setting and Gate Resistor R_G	15	7	Document Revision	35
4	Absolute Maximum Ratings	27			

13 Supplemental Directives

13.1 Producer Information

13.2 Copyright

ADI Trinamic/Trinamic Motion Control GmbH & Co. KG owns the content of this user manual in its entirety, including but not limited to pictures, logos, trademarks, and resources.

Redistribution of sources or derived formats (for example, Portable Document Format or Hypertext Markup Language) must retain the above copyright notice, and the complete data sheet, user manual, and documentation of this product including associated application notes; and a reference to other available product-related documentation.

13.3 Trademark Designations and Symbols

Trademark designations and symbols used in this documentation indicate that a product or feature is owned and registered as trademark and/or patent either by ADI Trinamic or by other manufacturers, whose products are used or referred to in combination with ADI Trinamic's products and ADI Trinamic's product documentation.

This Hardware Manual is a non-commercial publication that seeks to provide concise scientific and technical user information to the target user. Thus, trademark designations and symbols are only entered in the Short Spec of this document that introduces the product at a quick glance. The trademark designation /symbol is also entered when the product or feature name occurs for the first time in the document. All trademarks and brand names used are property of their respective owners.

13.4 Target User

The documentation provided here, is for programmers and engineers only, who are equipped with the necessary skills and have been trained to work with this type of product.

The Target User knows how to responsibly make use of this product without causing harm to himself or others, and without causing damage to systems or devices, in which the user incorporates the product.

13.5 Disclaimer: Life Support Systems

ADI Trinamic/Trinamic Motion Control GmbH & Co. KG does not authorize or warrant any of its products for use in life support systems, without the specific written consent of ADI Trinamic/Trinamic Motion Control GmbH & Co. KG.

Life support systems are equipment intended to support or sustain life, and whose failure to perform, when properly used in accordance with instructions provided, can be reasonably expected to result in personal injury or death.

Information given in this document is believed to be accurate and reliable. However, no responsibility is assumed for the consequences of its use nor for any infringement of patents or other rights of third parties which may result from its use. Specifications are subject to change without notice.

13.6 Disclaimer: Intended Use

The data specified in this user manual is intended solely for the purpose of product description. No representations or warranties, either express or implied, of merchantability, fitness for a particular purpose

or of any other nature are made hereunder with respect to information/specification or the products to which information refers and no guarantee with respect to compliance to the intended use is given.

In particular, this also applies to the stated possible applications or areas of applications of the product. TRINAMIC products are not designed for and must not be used in connection with any applications where the failure of such products would reasonably be expected to result in significant personal injury or death (safety-Critical Applications) without ADI Trinamic's/Trinamic Motion Control GmbH & Co. KG specific written consent.

ADI Trinamic/Trinamic Motion Control GmbH & Co. KG products are not designed nor intended for use in military or aerospace applications or environments or in automotive applications unless specifically designated for such use by ADI Trinamic/Trinamic Motion Control GmbH & Co. KG.

ADI Trinamic/Trinamic Motion Control GmbH & Co. KG conveys no patent, copyright, mask work right or other trade mark right to this product. ADI Trinamic/Trinamic Motion Control GmbH & Co. KG assumes no liability for any patent and/or other trade mark rights of a third party resulting from processing or handling of the product and/or any other use of the product.

13.7 Collateral Documents & Tools

This product documentation is related and/or associated with additional tool kits, firmware and other items, as provided on the product page at: www.analog.com.

14 Revision History

14.1 Hardware Revision

Version	Date	Description
V1.00	10/23	Initial release version

Table 6: Hardware Revision

14.2 Document Revision

Version	Date	Description
0	11/23	Initial release version

Table 7: Document Revision