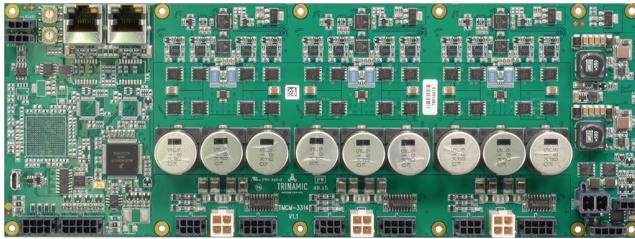


TMCM-3314 TMCL™ Firmware Manual

Firmware Version V1.04 | Document Revision V1.01 • 2016-JUL-20

The TMCM-3314 is a three axes controller/driver modules for 2-phase bipolar stepper motors with separate differential encoder and separate home and stop switch inputs for each axis. Dynamic current control, and quiet, smooth and efficient operation are combined with stealthChop™, dcStep™, stallGuard™ and coolStep™ features. The module offers four analog or digital inputs as well as four digital outputs in combination with a break chopper unit.



Features

- 3-Axes Stepper motor control
- TMCL™
- Encoder Support
- coolStep™
- dcStep™
- stallGuard2™
- stealthChop™

Applications

- Lab-Automation
- Semiconductor Handling
- Manufacturing
- Robotics
- Factory Automation
- CNC
- Laboratory Automation



Contents

| | | |
|----------|--|-----------|
| 1 | Features | 5 |
| 1.1 | stallGuard2 | 6 |
| 1.2 | coolStep | 6 |
| 2 | First Steps with TMCL | 7 |
| 2.1 | Basic Setup | 7 |
| 2.2 | Using the TMCL Direct Mode | 7 |
| 2.3 | Changing Axis Parameters | 7 |
| 2.4 | Testing with a simple TMCL Program | 8 |
| 3 | TMCL and the TMCL-IDE — An Introduction | 10 |
| 3.1 | Binary Command Format | 10 |
| 3.1.1 | Checksum Calculation | 11 |
| 3.2 | Reply Format | 12 |
| 3.2.1 | Status Codes | 12 |
| 3.3 | Standalone applications | 13 |
| 3.4 | TMCL Command Overview | 14 |
| 3.4.1 | TMCL Commands | 14 |
| 3.5 | TMCL Commands by Subject | 15 |
| 3.5.1 | Motion Commands | 15 |
| 3.5.2 | Parameter Commands | 16 |
| 3.5.3 | Branch Commands | 16 |
| 3.5.4 | I/O Port Commands | 16 |
| 3.5.5 | Calculation Commands | 17 |
| 3.5.6 | Interrupt Processing Commands | 17 |
| 3.6 | Detailed TMCL Command Descriptions | 21 |
| 3.6.1 | ROR (Rotate Right) | 21 |
| 3.6.2 | ROL (Rotate Left) | 22 |
| 3.6.3 | MST (Motor Stop) | 23 |
| 3.6.4 | MVP (Move to Position) | 24 |
| 3.6.5 | SAP (Set Axis Parameter) | 27 |
| 3.6.6 | GAP (Get Axis Parameter) | 28 |
| 3.6.7 | SGP (Set Global Parameter) | 29 |
| 3.6.8 | GGP (Get Global Parameter) | 30 |
| 3.6.9 | STGP (Store Global Parameter) | 31 |
| 3.6.10 | RSGP (Restore Global Parameter) | 32 |
| 3.6.11 | RFS (Reference Search) | 33 |
| 3.6.12 | SIO (Set Output) | 35 |
| 3.6.13 | GIO (Get Input) | 37 |
| 3.6.14 | CALC (Calculate) | 40 |
| 3.6.15 | COMP (Compare) | 42 |
| 3.6.16 | JC (Jump conditional) | 43 |
| 3.6.17 | JA (Jump always) | 45 |
| 3.6.18 | CSUB (Call Subroutine) | 46 |
| 3.6.19 | RSUB (Return from Subroutine) | 47 |
| 3.6.20 | WAIT (Wait for an Event to occur) | 48 |
| 3.6.21 | STOP (Stop TMCL Program Execution – End of TMCL Program) | 50 |
| 3.6.22 | SCO (Set Coordinate) | 51 |
| 3.6.23 | GCO (Get Coordinate) | 52 |
| 3.6.24 | CCO (Capture Coordinate) | 54 |
| 3.6.25 | ACO (Accu to Coordinate) | 55 |
| 3.6.26 | CALCX (calculate using the X register) | 56 |



| | |
|---|------------|
| 3.6.27 AAP (Accu to Axis Parameter) | 58 |
| 3.6.28 AGP (Accu to Global Parameter) | 59 |
| 3.6.29 CLE (Clear Error Flags) | 60 |
| 3.6.30 EI (Enable Interrupt) | 62 |
| 3.6.31 DI (Disable Interrupt) | 63 |
| 3.6.32 VECT (Define Interrupt Vector) | 64 |
| 3.6.33 RETI (Return from Interrupt) | 66 |
| 3.6.34 Customer specific Command Extensions (UF0... UF7 – User Functions) | 67 |
| 3.6.35 Request Target Position reached Event | 68 |
| 3.6.36 TMCL Control Commands | 70 |
| 4 Axis Parameters | 72 |
| 4.1 Axis Parameter Overview | 72 |
| 5 Global Parameters | 81 |
| 5.1 Bank 0 | 81 |
| 5.2 Bank 1 | 84 |
| 5.3 Bank 2 | 84 |
| 5.4 Bank 3 | 84 |
| 6 Hints and Tips | 86 |
| 6.1 Reference Search | 86 |
| 6.1.1 Mode 1 | 87 |
| 6.1.2 Mode 2 | 87 |
| 6.1.3 Mode 3 | 87 |
| 6.1.4 Mode 4 | 88 |
| 6.1.5 Mode 5 | 88 |
| 6.1.6 Mode 6 | 89 |
| 6.1.7 Mode 7 | 89 |
| 6.1.8 Mode 8 | 90 |
| 6.2 stallGuard2 | 91 |
| 6.3 coolStep | 92 |
| 6.4 Velocity and Acceleration Calculation | 94 |
| 7 TMCL Programming Techniques and Structure | 95 |
| 7.1 Initialization | 95 |
| 7.2 Main Loop | 95 |
| 7.3 Using Symbolic Constants | 95 |
| 7.4 Using Variables | 96 |
| 7.5 Using Subroutines | 97 |
| 7.6 Combining Direct Mode and Standalone Mode | 97 |
| 8 Figures Index | 99 |
| 9 Tables Index | 100 |
| 10 Supplemental Directives | 101 |
| 10.1 Producer Information | 101 |
| 10.2 Copyright | 101 |
| 10.3 Trademark Designations and Symbols | 101 |
| 10.4 Target User | 101 |
| 10.5 Disclaimer: Life Support Systems | 101 |
| 10.6 Disclaimer: Intended Use | 101 |
| 10.7 Collateral Documents & Tools | 102 |



| | |
|----------------------------------|------------|
| 11 Revision History | 103 |
| 11.1 Firmware Revision | 103 |
| 11.2 Document Revision | 103 |



1 Features

The TMC3314 is a triple axis controller/driver module for 2-phase bipolar stepper motors with state of the art feature set. It is highly integrated, offers a convenient handling and can be used in many decentralized applications. The module has been designed for coil currents up to 3A RMS and 48 V DC supply voltage. With its high energy efficiency from TRINAMIC's coolStep™ technology cost for power consumption is kept down. The TMCL firmware allows for both standalone and direct mode operation.

Main characteristics

- Motion controller & stepper motor driver:
 - Hardware motion profile calculation in real-time.
 - On the fly alteration of motion parameters (e.g. position, velocity, acceleration) .
 - High performance microcontroller for overall system control and communication protocol handling.
 - Up to 256 microsteps per full step.
 - High-efficient operation, low power dissipation.
 - Dynamic current control.
 - Integrated protection.
 - stallGuard2™ feature for stall detection.
 - coolStep™ feature for reduced power consumption and heat dissipation.
 - stealthChop™ feature for quiet operation and smooth motion.
 - dcStep™ feature for load dependent speed control.
 - Incremental encoder interface for each axis.
 - Dedicated home and stop switch inputs for each motor.
 - True servo-like closed loop operation possible on each axis.
- Interfaces
 - RS485 2-wire communication interface.
 - CAN 2.0B communication interface.
 - USB full speed (12Mbit/s) device interface.
 - 4 general purpose digital/analog inputs.
 - 4 general-purpose digital outputs.

Software

TMCL: standalone operation or remote controlled operation or both modes combined, program memory (non volatile) for up to 6144 TMCL commands. PC-based application development software TMCL-IDE available for free.

Electrical data

- Supply voltage: +24V and +48V nominal (9...53V DC supply range).
- Motor current: up to 7A RMS / 10A peak (programmable).

Please see also the separate Hardware Manual.



1.1 stallGuard2

stallGuard2 is a high-precision sensorless load measurement using the back EMF of the coils. It can be used for stall detection as well as other uses at loads below those which stall the motor. The stallGuard2 measurement value changes linearly over a wide range of load, velocity, and current settings. At maximum motor load, the value reaches zero or is near zero. This is the most energy-efficient point of operation for the motor.

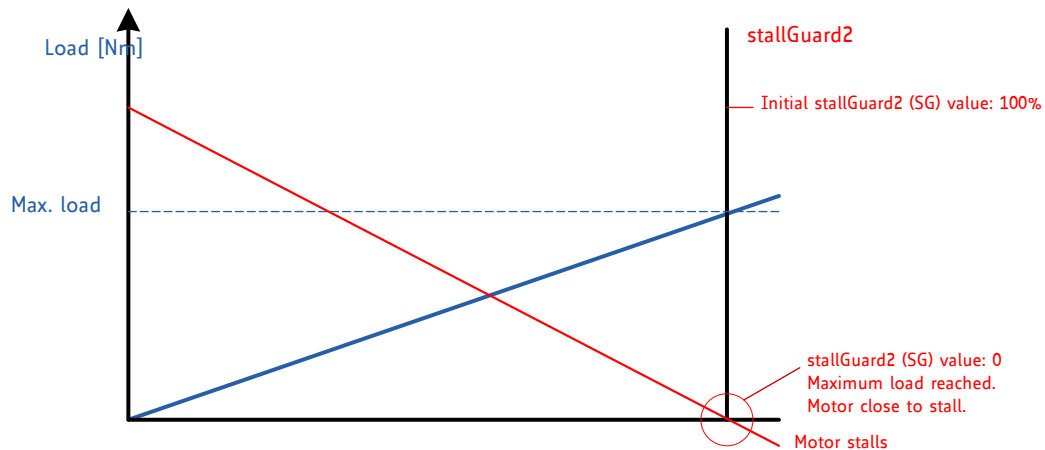


Figure 1: stallGuard2 Load Measurement as a Function of Load

1.2 coolStep

coolStep is a load-adaptive automatic current scaling based on the load measurement via stallGuard2 adapting the required current to the load. Energy consumption can be reduced by as much as 75%. coolStep allows substantial energy savings, especially for motors which see varying loads or operate at a high duty cycle. Because a stepper motor application needs to work with a torque reserve of 30% to 50%, even a constant-load application allows significant energy savings because coolStep automatically enables torque reserve when required. Reducing power consumption keeps the system cooler, increases motor life, and allows cost reduction.

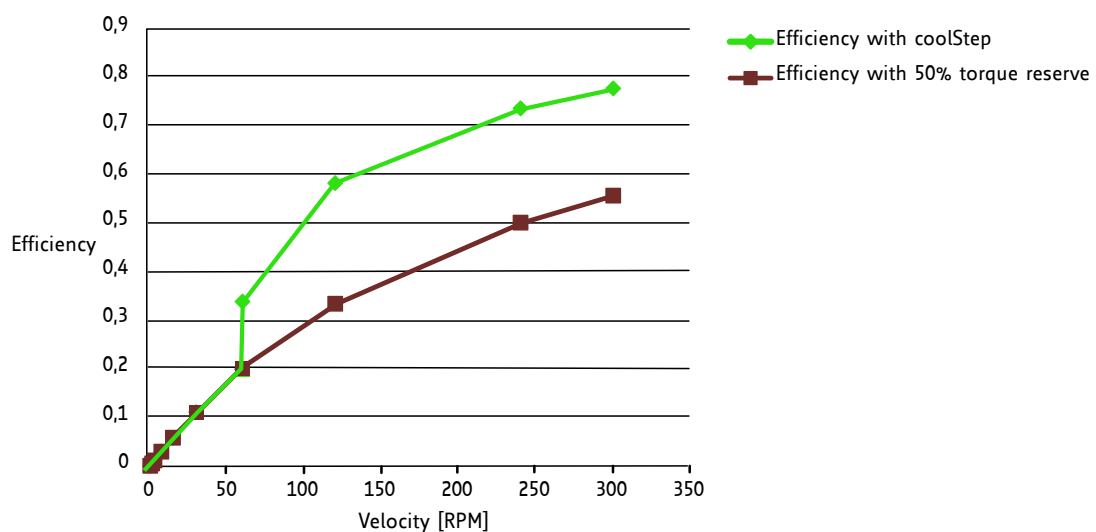


Figure 2: Energy Efficiency Example with coolStep



2 First Steps with TMCL

In this chapter you can find some hints for your first steps with the TMCM-3314 and TMCL. You may skip this chapter if you are already familiar with TMCL and the TMCL-IDE.

Things that you will need

- Your TMCM-3314 module.
- An USB cable with micro USB plug or an RS485 interface with suitable cable or a CAN interface with suitable cable.
- A power supply (24V DC) for your TMCM-3314 module.
- The TMCL-IDE 3.x already installed on your PC
- A two-phase bipolar stepper motor.

2.1 Basic Setup

First of all, you will need a PC with Windows (at least Windows 7) and the TMCL-IDE 3.x installed on it. If you do not have the TMCL-IDE installed on your PC then please download it from the TMCL-IDE product page of Trinamic's website (<http://www.trinamic.com>) and install it on your PC.

Please also ensure that your TMCM-3314 is properly connected to your power supply and that the stepper motor is properly connected to the module. Please see the TMCM-3314 hardware manual for instructions on how to do this. **Do not connect or disconnect a stepper motor to or from the module while the module is powered!**

Then, please start up the TMCL-IDE. After that you can connect your TMCM-3314. The easiest way to do that is via USB. Just connect the module via USB and switch on the power supply for the module (while the TMCL-IDE is running on your PC). The module will be recognized by the TMCL-IDE, and necessary driver registrations in Windows will automatically be done by the TMCL-IDE.

Of course you can also use RS485 or CAN bus. Please see the TMCM-3314 hardware manual on how to connect to RS485 or CAN bus.

2.2 Using the TMCL Direct Mode

At first try to use some TMCL commands in direct mode. In the TMCL-IDE a tree view showing the TMCM-3314 and all tools available for it is displayed. Click on the Direct Mode entry of the tool tree. Now, the Direct Mode tool will pop up.

In the Direct Mode tool you can choose a TMCL command, enter the necessary parameters and execute the command. For example, choose the command ROL (rotate left). Then choose the appropriate motor (motor 0 if your motor is connected to the motor 0 connector). Now, enter the desired speed. Try entering 51200 (pps) as the value and then click the Execute button. The motor will now run. Choose the MST (motor stop) command and click Execute again to stop the motor.

2.3 Changing Axis Parameters

Next you can try changing some settings (also called axis parameters) using the SAP command in direct mode. Choose the SAP command. Then choose the parameter type and the motor number. Last, enter the desired value and click execute to execute the command which then changes the desired parameter.



The following table points out the most important axis parameters. Please see chapter 4.1 for a complete list of all axis parameters.

| Most important axis parameters | | | | |
|--------------------------------|---------------------------|---|---------------------------------|--------|
| Number | Axis Parameter | Description | Range [Units] | Access |
| 4 | Maximum positioning speed | The maximum speed used for positioning ramps. | 0...7999774 [pps] | RW |
| 5 | Maximum acceleration | Maximum acceleration in positioning ramps. Acceleration and deceleration value in velocity mode. | 0...7629278 [pps ²] | RW |
| 6 | Maximum current | Motor current used when motor is running. The maximum value is 255 which means 100% of the maximum current of the module. <i>The most important setting, as too high values can cause motor damage.</i> | 0...255 | RW |
| 7 | Standby current | The current used when the motor is not running. The maximum value is 255 which means 100% of the maximum current of the module. This value should be as low as possible so that the motor can cool down when it is not moving. Please see also parameter 214. | 0...255 | RW |

Table 1: Most important Axis Parameters

2.4 Testing with a simple TMCL Program

Now, test the TMCL stand alone mode with a simple TMCL program. To type in, assemble and download the program, you will need the TMCL creator. This is also a tool that can be found in the tool tree of the TMCL-IDE. Click the TMCL creator entry to open the TMCL creator. In the TMCL creator, type in the following little TMCL program:

```

1   ROL 0, 51200           //Rotate motor 0 with speed 10000
   WAIT TICKS, 0, 500
3   MST 0
   ROR 0, 51200           //Rotate motor 0 with 50000
5   WAIT TICKS, 0, 500
   MST 0
7
   SAP 4, 0, 51200        //Set max. Velocity
9   SAP 5, 0, 51200        //Set max. Acceleration
Loop:
11  MVP ABS, 0, 512000     //Move to Position 512000
   WAIT POS, 0, 0         //Wait until position reached
13  MVP ABS, 0, -512000   //Move to Position -512000
   WAIT POS, 0, 0         //Wait until position reached
15  JA Loop                //Infinite Loop
    
```

After you have done that, take the following steps:



1. Click the Assemble icon (or choose Assemble from the TMCL menu) in the TMCL creator to assemble the program.
2. Click the Download icon (or choose Download from the TMCL menu) in the TMCL creator to download the program to the module.
3. Click the Run icon (or choose Run from the TMCL menu) in the TMCL creator to run the program on the module.

Also try out the debugging functions in the TMCL creator:

1. Click on the Bug icon to start the debugger.
2. Click the Animate button to see the single steps of the program.
3. You can at any time pause the program, set or reset breakpoints and resume program execution.
4. To end the debug mode click the Bug icon again.



3 TMCL and the TMCL-IDE — An Introduction

As with most TRINAMIC modules the software running on the microprocessor of the TMCM-3314 consists of two parts, a boot loader and the firmware itself. Whereas the boot loader is installed during production and testing at TRINAMIC and remains untouched throughout the whole lifetime, the firmware can be updated by the user. New versions can be downloaded free of charge from the TRINAMIC website (<http://www.trinamic.com>).

The TMCM-3314 supports TMCL direct mode (binary commands). It also implements standalone TMCL program execution. This makes it possible to write TMCL programs using the TMCL-IDE and store them in the memory of the module.

In direct mode the TMCL communication over RS-232, RS-485, CAN and USB follows a strict master/slave relationship. That is, a host computer (e.g. PC/PLC) acting as the interface bus master will send a command to the TMCM-3314. The TMCL interpreter on the module will then interpret this command, do the initialization of the motion controller, read inputs and write outputs or whatever is necessary according to the specified command. As soon as this step has been done, the module will send a reply back over the interface to the bus master. Only then should the master transfer the next command.

Normally, the module will just switch to transmission and occupy the bus for a reply, otherwise it will stay in receive mode. It will not send any data over the interface without receiving a command first. This way, any collision on the bus will be avoided when there are more than two nodes connected to a single bus. The Trinamic Motion Control Language [TMCL] provides a set of structured motion control commands. Every motion control command can be given by a host computer or can be stored in an EEPROM on the TMCM module to form programs that run standalone on the module. For this purpose there are not only motion control commands but also commands to control the program structure (like conditional jumps, compare and calculating).

Every command has a binary representation and a mnemonic. The binary format is used to send commands from the host to a module in direct mode, whereas the mnemonic format is used for easy usage of the commands when developing standalone TMCL applications using the TMCL-IDE (IDE means Integrated Development Environment).

There is also a set of configuration variables for the axis and for global parameters which allow individual configuration of nearly every function of a module. This manual gives a detailed description of all TMCL commands and their usage.

3.1 Binary Command Format

Every command has a mnemonic and a binary representation. When commands are sent from a host to a module, the binary format has to be used. Every command consists of a one-byte command field, a one-byte type field, a one-byte motor/bank field and a four-byte value field. So the binary representation of a command always has seven bytes. When a command is to be sent via RS-232, RS-485, RS-422 or USB interface, it has to be enclosed by an address byte at the beginning and a checksum byte at the end. In these cases it consists of nine bytes.

The binary command format with RS-232, RS-485, RS-422 and USB is as follows:



| TMCL Command Format | |
|---------------------|----------------------|
| Bytes | Meaning |
| 1 | Module address |
| 1 | Command number |
| 1 | Type number |
| 1 | Motor or Bank number |
| 4 | Value (MSB first!) |
| 1 | Checksum |

Table 2: TMCL Command Format

Info

The checksum is calculated by accumulating all the other bytes using an 8-bit addition.

Note

When using the CAN interface, leave out the address byte and the checksum byte. With CAN, the CAN-ID is used as the module address and the checksum is not needed because CAN bus uses hardware CRC checking.

3.1.1 Checksum Calculation

As mentioned above, the checksum is calculated by adding up all bytes (including the module address byte) using 8-bit addition. Here are two examples which show how to do this:

Checksum calculation in C:

```

1 unsigned char i, Checksum;
  unsigned char Command[9];
3
  //Set the Command array to the desired command
5 Checksum = Command[0];
  for(i=1; i<8; i++)
7     Checksum+=Command[i];
9
  Command[8]=Checksum; //insert checksum as last byte of the command
  //Now, send it to the module

```

Checksum calculation in Delphi:

```

var
2   i, Checksum: byte;
   Command: array[0..8] of byte;
4
   //Set the Command array to the desired command
6
   //Calculate the Checksum:
8   Checksum:=Command[0];
   for i:=1 to 7 do Checksum:=Checksum+Command[i];
10  Command[8]:=Checksum;
   //Now, send the Command array (9 bytes) to the module

```



3.2 Reply Format

Every time a command has been sent to a module, the module sends a reply. The reply format with RS-232, RS-485, RS-422 and USB is as follows:

| TMCL Reply Format | |
|-------------------|----------------------------------|
| Bytes | Meaning |
| 1 | Reply address |
| 1 | Module address |
| 1 | Status (e.g. 100 means no error) |
| 1 | Command number |
| 4 | Value (MSB first!) |
| 1 | Checksum |

Table 3: TMCL Reply Format

Info

The checksum is also calculated by adding up all the other bytes using an 8-bit addition. Do not send the next command before having received the reply!

Note

When using CAN interface, the reply does not contain an address byte and a checksum byte. With CAN, the CAN-ID is used as the reply address and the checksum is not needed because the CAN bus uses hardware CRC checking.

3.2.1 Status Codes

The reply contains a status code. The status code can have one of the following values:

| TMCL Status Codes | |
|-------------------|---|
| Code | Meaning |
| 100 | Successfully executed, no error |
| 101 | Command loaded into TMCL program EEPROM |
| 1 | Wrong checksum |
| 2 | Invalid command |
| 3 | Wrong type |
| 4 | Invalid value |
| 5 | Configuration EEPROM locked |
| 6 | Command not available |

Table 4: TMCL Status Codes



3.3 Standalone applications

The module is equipped with a TMCL memory for storing TMCL applications. You can use the TMCL-IDE for developing standalone TMCL applications. You can download a program into the EEPROM and afterwards it will run on the module. The TMCL-IDE contains an editor and the TMCL assembler where the commands can be entered using their mnemonic format. They will be assembled automatically into their binary representations. Afterwards this code can be downloaded into the module to be executed there.



3.4 TMCL Command Overview

This sections gives a short overview of all TMCL commands.

3.4.1 TMCL Commands

| Overview of all TMCL Commands | | | |
|-------------------------------|--------|--|---|
| Command | Number | Parameter | Description |
| ROR | 1 | <motor number>, <velocity> | Rotate right with specified velocity |
| ROL | 2 | <motor number>, <velocity> | Rotate left with specified velocity |
| MST | 3 | <motor number> | Stop motor movement |
| MVP | 4 | ABS REL COORD, <motor number>, <position offset> | Move to position (absolute or relative) |
| SAP | 5 | <parameter>, <motor number>, <value> | Set axis parameter (motion control specific settings) |
| GAP | 6 | <parameter>, <motor number> | Get axis parameter (read out motion control specific settings) |
| SGP | 9 | <parameter>, <bank number>, <value> | Set global parameter (module specific settings e.g. communication settings or TMCL user variables) |
| GGP | 10 | <parameter>, <bank number> | Get global parameter (read out module specific settings e.g. communication settings or TMCL user variables) |
| STGP | 11 | <parameter>, <bank number> | Store global parameter (TMCL user variables only) |
| RSGP | 12 | <parameter>, <bank number> | Restore global parameter (TMCL user variables only) |
| RFS | 13 | <START STOP STATUS>, <motor number> | Reference search |
| SIO | 14 | <port number>, <bank number>, <value> | Set digital output to specified value |
| GIO | 15 | <port number>, <bank number> | Get value of analogue/digital input |
| CALC | 19 | <operation>, <value> | Process accumulator and value |
| COMP | 20 | <value> | Compare accumulator with value |
| JC | 21 | <condition>, <jump address> | Jump conditional |
| JA | 22 | <jump address> | Jump absolute |
| CSUB | 23 | <subroutine address> | Call subroutine |
| RSUB | 24 | | Return from subroutine |
| EI | 25 | <interrupt number> | Enable interrupt |
| DI | 26 | <interrupt number> | Disable interrupt |



| Command | Number | Parameter | Description |
|---------|--------|---|-------------------------------------|
| WAIT | 27 | <condition>, <motor number>, <ticks> | Wait with further program execution |
| STOP | 28 | | Stop program execution |
| SCO | 30 | <coordinate number>, <motor number>, <position> | Set coordinate |
| GCO | 31 | <coordinate number>, <motor number> | Get coordinate |
| CCO | 32 | <coordinate number>, <motor number> | Capture coordinate |
| CALCX | 33 | <operation> | Process accumulator and X-register |
| AAP | 34 | <parameter>, <motor number> | Accumulator to axis parameter |
| AGP | 35 | <parameter>, <bank number> | Accumulator to global parameter |
| CLE | 36 | <flag> | Clear an error flag |
| VECT | 37 | <interrupt number>, <address> | Define interrupt vector |
| RETI | 38 | | Return from interrupt |
| ACO | 39 | <coordinate number>, <motor number> | Accu to coordinate |

Table 5: Overview of all TMCL Commands

3.5 TMCL Commands by Subject

3.5.1 Motion Commands

These commands control the motion of the motor. They are the most important commands and can be used in direct mode or in standalone mode.

| Motion Commands | | |
|-----------------|----------------|--------------------|
| Mnemonic | Command number | Meaning |
| ROL | 2 | Rotate left |
| ROR | 1 | Rotate right |
| MVP | 4 | Move to position |
| MST | 3 | Motor stop |
| SCO | 30 | Store coordinate |
| CCO | 32 | Capture coordinate |
| GCO | 31 | Get coordinate |

Table 6: Motion Commands



3.5.2 Parameter Commands

These commands are used to set, read and store axis parameters or global parameters. Axis parameters can be set independently for each axis, whereas global parameters control the behavior of the module itself. These commands can also be used in direct mode and in standalone mode.

| Parameter Commands | | |
|--------------------|----------------|--------------------------|
| Mnemonic | Command number | Meaning |
| SAP | 5 | Set axis parameter |
| GAP | 6 | Get axis parameter |
| SGP | 9 | Set global parameter |
| GGP | 10 | Get global parameter |
| STGP | 11 | Store global parameter |
| RSGP | 12 | Restore global parameter |

Table 7: Parameter Commands

3.5.3 Branch Commands

These commands are used to control the program flow (loops, conditions, jumps etc.). Using them in direct mode does not make sense. They are intended for standalone mode only.

| Branch Commands | | |
|-----------------|----------------|---|
| Mnemonic | Command number | Meaning |
| JA | 22 | Jump always |
| JC | 21 | Jump conditional |
| COMP | 20 | Compare accumulator with constant value |
| CSUB | 23 | Call subroutine |
| RSUB | 24 | Return from subroutine |
| WAIT | 27 | Wait for a specified event |
| STOP | 28 | End of a TMCL program |

Table 8: Branch Commands

3.5.4 I/O Port Commands

These commands control the external I/O ports and can be used in direct mode as well as in standalone mode.



| I/O Port Commands | | |
|-------------------|----------------|------------|
| Mnemonic | Command number | Meaning |
| SIO | 14 | Set output |
| GIO | 15 | Get input |

Table 9: I/O Port Commands

3.5.5 Calculation Commands

These commands are intended to be used for calculations within TMCL applications. Although they could also be used in direct mode it does not make much sense to do so.

| Calculation Commands | | |
|----------------------|----------------|--|
| Mnemonic | Command number | Meaning |
| CALC | 19 | Calculate using the accumulator and a constant value |
| CALCX | 33 | Calculate using the accumulator and the X register |
| AAP | 34 | Copy accumulator to an axis parameter |
| AGP | 35 | Copy accumulator to a global parameter |
| ACO | 39 | Copy accu to coordinate |

Table 10: Calculation Commands

For calculating purposes there is an accumulator (also called accu or A register) and an X register. When executed in a TMCL program (in standalone mode), all TMCL commands that read a value store the result in the accumulator. The X register can be used as an additional memory when doing calculations. It can be loaded from the accumulator.

When a command that reads a value is executed in direct mode the accumulator will not be affected. This means that while a TMCL program is running on the module (standalone mode), a host can still send commands like GAP and GGP to the module (e.g. to query the actual position of the motor) without affecting the flow of the TMCL program running on the module.

3.5.6 Interrupt Processing Commands

TMCL also contains functions for a simple way of interrupt processing. Using interrupts, many tasks can be programmed in an easier way.

The following commands are used to define and handle interrupts:



| Interrupt Processing Commands | | |
|-------------------------------|----------------|-----------------------|
| Mnemonic | Command number | Meaning |
| EI | 25 | Enable interrupt |
| DI | 26 | Disable interrupt |
| VECT | 37 | Set interrupt vector |
| RETI | 38 | Return from interrupt |

Table 11: Interrupt Processing Commands

3.5.6.1 Interrupt Types

There are many different interrupts in TMCL, like timer interrupts, stop switch interrupts, position reached interrupts, and input pin change interrupts. Each of these interrupts has its own interrupt vector. Each interrupt vector is identified by its interrupt number. Please use the TMCL include file Interrupts.inc in order to have symbolic constants for the interrupt numbers. Table 12 show all interrupts that are available on the TMCM-3314.

| Interrupt Vectors | |
|-------------------|---------------------------|
| Interrupt number | Interrupt type |
| 0 | Timer 0 |
| 1 | Timer 1 |
| 2 | Timer 2 |
| 3 | Target position reached 0 |
| 4 | Target position reached 1 |
| 5 | Target position reached 2 |
| 15 | stallGuard axis 0 |
| 16 | stallGuard axis 1 |
| 17 | stallGuard axis 2 |
| 21 | Deviation axis 0 |
| 22 | Deviation axis 1 |
| 23 | Deviation axis 2 |
| 27 | Left stop switch 0 |
| 28 | Right stop switch 0 |
| 29 | Left stop switch 1 |
| 30 | Right stop switch 1 |
| 31 | Left stop switch 2 |
| 32 | Right stop switch 2 |
| 39 | Input change 0 |
| 40 | Input change 1 |



| Interrupt number | Interrupt type |
|------------------|-------------------|
| 41 | Input change 2 |
| 42 | Input change 3 |
| 255 | Global interrupts |

Table 12: Interrupt Vectors

3.5.6.2 Interrupt Processing

When an interrupt occurs and this interrupt is enabled and a valid interrupt vector has been defined for that interrupt, the normal TMCL program flow will be interrupted and the interrupt handling routine will be called. Before an interrupt handling routine gets called, the context of the normal program (i.e. accumulator register, X register, flags) will be saved automatically.

There is no interrupt nesting, i.e. all other interrupts are disabled while an interrupt handling routine is being executed.

On return from an interrupt handling routine (RETI command), the context of the normal program will automatically be restored and the execution of the normal program will be continued.

3.5.6.3 Further Configuration of Interrupts

Some interrupts need further configuration (e.g. the timer interval of a timer interrupt). This can be done using SGP commands with parameter bank 3 (SGP <type> , 3, <value>). Please refer to the SGP command (chapter 3.6.7) for further information about that.

3.5.6.4 Using Interrupts in TMCL

To use an interrupt the following things have to be done:

- Define an interrupt handling routine using the VECT command.
- If necessary, configure the interrupt using an SGP <type>, 3, <value> command.
- Enable the interrupt using an EI <interrupt> command.
- Globally enable interrupts using an EI 255 command.
- An interrupt handling routine must always end with a RETI command.
- Do not allow the normal program flow to run into an interrupt handling routine.

The following example shows the use of a timer interrupt:

```

1  VECT 0, Timer0Irq //define the interrupt vector
   SGP 0, 3, 1000 //configure the interrupt: set its period to 1000ms
3  EI 0 //enable this interrupt
   EI 255 //globally switch on interrupt processing
5
//Main program: toggles output 3, using a WAIT command for the delay
7 Loop:
   SIO 3, 2, 1
9   WAIT TICKS, 0, 50
   SIO 3, 2, 0
11  WAIT TICKS, 0, 50
   JA Loop
13
//Here is the interrupt handling routine

```



```
15 Timer0Irq:
    GIO 0, 2           //check if OUTO is high
17    JC NZ, Out00ff   //jump if not
    SIO 0, 2, 1       //switch OUTO high
19    RETI             //end of interrupt
Out00ff:
21    SIO 0, 2, 0     //switch OUTO low
    RETI              //end of interrupt
```

In the example above, the interrupt numbers are being used directly. To make the program better readable use the provided include file `Interrupts.inc`. This file defines symbolic constants for all interrupt numbers which can be used in all interrupt commands. The beginning of the program above then looks as follows:

```
#include Interrupts.inc
2    VECT TI_TIMER0, Timer0Irq
    SGP TI_TIMER0, 3, 1000
4    EI TI_TIMER0
    EI TI_GLOBAL
```



3.6 Detailed TMCL Command Descriptions

The module specific commands are explained in more detail on the following pages. They are listed according to their command number.

3.6.1 ROR (Rotate Right)

The motor is instructed to rotate with a specified velocity in right direction (increasing the position counter). The velocity is given in microsteps per second (pulse per second, pps).

Internal function:

- First, velocity mode is selected.
- Then, the velocity value is transferred to axis parameter #2 (target velocity).

Related commands: ROL, MST, SAP, GAP.

Mnemonic: ROR 0, <velocity>

| Binary Representation | | | |
|-----------------------|------|------------|--------------------------|
| Instruction | Type | Motor/Bank | Value |
| 1 | 0 | 0...3 | -2147483648...2147583647 |

| Reply in Direct Mode | |
|----------------------|------------|
| Status | Value |
| 100 - OK | don't care |

Example

Rotate right motor 0, velocity 51200.

Mnemonic: ROR 0, 51200.

| Binary Form of ROR 0, 51200 | |
|-----------------------------|-----------------|
| Field | Value |
| Target address | 01 _h |
| Instruction number | 01 _h |
| Type | 00 _h |
| Motor/Bank | 00 _h |
| Value (Byte 3) | 00 _h |
| Value (Byte 2) | 00 _h |
| Value (Byte 1) | C8 _h |
| Value (Byte 0) | 00 _h |
| Checksum | CA _h |



3.6.2 ROL (Rotate Left)

The motor is instructed to rotate with a specified velocity in left direction (increasing the position counter). The velocity is given in microsteps per second (pulse per second, pps).

Internal function:

- First, velocity mode is selected.
- Then, the velocity value is transferred to axis parameter #2 (target velocity).

Related commands: ROR, MST, SAP, GAP.

Mnemonic: ROL 0, <velocity>

| Binary Representation | | | |
|-----------------------|------|------------|--------------------------|
| Instruction | Type | Motor/Bank | Value |
| 1 | 0 | 0...3 | -2147483648...2147583647 |

| Reply in Direct Mode | |
|----------------------|------------|
| Status | Value |
| 100 - OK | don't care |

Example

Rotate left motor 0, velocity 51200.

Mnemonic: ROL 0, 51200.

| Binary Form of ROL 0, 51200 | |
|-----------------------------|-----------------|
| Field | Value |
| Target address | 01 _h |
| Instruction number | 02 _h |
| Type | 00 _h |
| Motor/Bank | 00 _h |
| Value (Byte 3) | 00 _h |
| Value (Byte 2) | 00 _h |
| Value (Byte 1) | C8 _h |
| Value (Byte 0) | 00 _h |
| Checksum | CB _h |



3.6.3 MST (Motor Stop)

The motor is instructed to stop with a soft stop.

Internal function: The velocity mode is selected. Then, the target speed (axis parameter #0) is set to zero.

Related commands: ROR, ROL, SAP, GAP.

Mnemonic: MST <axis>

| Binary Representation | | | |
|-----------------------|------|------------|-------|
| Instruction | Type | Motor/Bank | Value |
| 1 | 0 | 0...3 | 0 |

| Reply in Direct Mode | |
|----------------------|------------|
| Status | Value |
| 100 - OK | don't care |

Example

Stop motor 0.

Mnemonic: MST 0.

| Binary Form of MST 0 | |
|----------------------|-----------------|
| Field | Value |
| Target address | 01 _h |
| Instruction number | 03 _h |
| Type | 00 _h |
| Motor/Bank | 00 _h |
| Value (Byte 3) | 00 _h |
| Value (Byte 2) | 00 _h |
| Value (Byte 1) | 00 _h |
| Value (Byte 0) | 00 _h |
| Checksum | 04 _h |



3.6.4 MVP (Move to Position)

With this command the motor will be instructed to move to a specified relative or absolute position. It will use the acceleration/deceleration ramp and the positioning speed programmed into the unit. This command is non-blocking - that is, a reply will be sent immediately after command interpretation and initialization of the motion controller. Further commands may follow without waiting for the motor reaching its end position. The maximum velocity and the acceleration and deceleration parameters are defined by axis parameters #4, #5, #15, #16, #17, #18, #19, #20.

The range of the MVP command is 32 bit signed (-2147483648...2147483647). Positioning can be interrupted using MST, ROL or ROR commands.

Three operation types are available:

- Moving to an absolute position in the range from -2147483648...2147483647 ($-2^{31} \dots 2^{31} - 1$).
- Starting a relative movement by means of an offset to the actual position. In this case, the new resulting position value must not exceed the above mentioned limits, too.
- Moving the motor to a (previously stored) coordinate (refer to SCO for details).

Note

The distance between the actual position and the new position must not be more than 2147483647 ($2^{31} - 1$) microsteps. Otherwise the motor will run in the opposite direction in order to take the shorter distance (caused by 32 bit overflow).

Internal function: A new position value is transferred to the axis parameter #0 (target position).

Related commands: SAP, GAP, SCO, GCO, CCO, ACO, MST.

Mnemonic: MVP <ABS|REL|COORD>, <axis>, <position|offset|coordinate>

| Binary Representation | | | |
|-----------------------|------------------------|------------|-----------------------------|
| Instruction | Type | Motor/Bank | Value |
| 4 | 0 - ABS - absolute | 0...3 | <position> |
| | 1 - REL - relative | 0...3 | <offset> |
| | 2 - COORD - coordinate | 0...255 | <coordinate number (0..20)> |

| Reply in Direct Mode | |
|----------------------|------------|
| Status | Value |
| 100 - OK | don't care |

Example

Move motor 0 to position 90000.

Mnemonic: MVP ABS, 0, 90000



| Binary Form of MVP ABS, 0, 90000 | |
|----------------------------------|-----------------|
| Field | Value |
| Target address | 01 _h |
| Instruction number | 04 _h |
| Type | 00 _h |
| Motor/Bank | 00 _h |
| Value (Byte 3) | 00 _h |
| Value (Byte 2) | 10 _h |
| Value (Byte 1) | 5F _h |
| Value (Byte 0) | 90 _h |
| Checksum | F5 _h |

Example

Move motor 0 from current position 10000 microsteps backward.

Mnemonic: MVP REL, 0, -10000

| Binary Form of MVP REL, 0, -10000 | |
|-----------------------------------|-----------------|
| Field | Value |
| Target address | 01 _h |
| Instruction number | 04 _h |
| Type | 01 _h |
| Motor/Bank | 00 _h |
| Value (Byte 3) | FF _h |
| Value (Byte 2) | FF _h |
| Value (Byte 1) | D8 _h |
| Value (Byte 0) | F0 _h |
| Checksum | CC _h |

Example

Move motor 0 to stored coordinate #8.

Mnemonic: MVP COORD, 0, 8



| Binary Form of MVP COORD, 0, 8 | |
|--------------------------------|-----------------|
| Field | Value |
| Target address | 01 _h |
| Instruction number | 04 _h |
| Type | 02 _h |
| Motor/Bank | 00 _h |
| Value (Byte 3) | 00 _h |
| Value (Byte 2) | 00 _h |
| Value (Byte 1) | 00 _h |
| Value (Byte 0) | 08 _h |
| Checksum | 0F _h |

Note

Before moving to a stored coordinate, the coordinate has to be set using an SCO, CCO or ACO command.



3.6.5 SAP (Set Axis Parameter)

With this command most of the motion control parameters of the module can be specified. The settings will be stored in SRAM and therefore are volatile. That is, information will be lost after power off.

Info

For a table with parameters and values which can be used together with this command please refer to section 4.1.

Internal function: The specified value is written to the axis parameter specified by the parameter number.

Related commands: GAP, AAP.

Mnemonic: SAP <parameter number>, <axis>, <value>

Binary representation

| Binary Representation | | | |
|-----------------------|-----------------|------------|---------|
| Instruction | Type | Motor/Bank | Value |
| 5 | see chapter 4.1 | 0...3 | <value> |

| Reply in Direct Mode | |
|----------------------|------------|
| Status | Value |
| 100 - OK | don't care |

Example

Set the maximum positioning speed for motor 0 to 51200 pps.

Mnemonic: SAP 4, 0, 51200.

| Binary Form of SAP 4, 0, 51200 | |
|--------------------------------|-----------------|
| Field | Value |
| Target address | 01 _h |
| Instruction number | 05 _h |
| Type | 06 _h |
| Motor/Bank | 00 _h |
| Value (Byte 3) | 00 _h |
| Value (Byte 2) | 00 _h |
| Value (Byte 1) | C8 _h |
| Value (Byte 0) | 00 _h |
| Checksum | D2 _h |



3.6.6 GAP (Get Axis Parameter)

Most motion / driver related parameters of the TMCM-3314 can be adjusted using e.g. the SAP command. With the GAP parameter they can be read out. In standalone mode the requested value is also transferred to the accumulator register for further processing purposes (such as conditional jumps). In direct mode the value read is only output in the value field of the reply, without affecting the accumulator.

Info

For a table with parameters and values that can be used together with this command please refer to section 4.1.

Internal function: The specified value gets copied to the accumulator.

Related commands: SAP, AAP.

Mnemonic: GAP <parameter number>, <axis>

| Binary Representation | | | |
|-----------------------|-----------------|------------|---------|
| Instruction | Type | Motor/Bank | Value |
| 6 | see chapter 4.1 | 0...3 | <value> |

| Reply in Direct Mode | |
|----------------------|----------------------------|
| Status | Value |
| 100 - OK | value read by this command |

Example

Get the actual position of motor 0.

Mnemonic: GAP 1, 0.

| Binary Form of GAP 1, 0 | |
|-------------------------|-----------------|
| Field | Value |
| Target address | 01 _h |
| Instruction number | 06 _h |
| Type | 01 _h |
| Motor/Bank | 00 _h |
| Value (Byte 3) | 00 _h |
| Value (Byte 2) | 00 _h |
| Value (Byte 1) | 00 _h |
| Value (Byte 0) | 00 _h |
| Checksum | 08 _h |



3.6.7 SGP (Set Global Parameter)

With this command most of the module specific parameters not directly related to motion control can be specified and the TMCL user variables can be changed. Global parameters are related to the host interface, peripherals or application specific variables. The different groups of these parameters are organized in banks to allow a larger total number for future products. Currently, bank 0 is used for global parameters, and bank 2 is used for user variables. Bank 3 is used for interrupt configuration. All module settings in bank 0 will automatically be stored in non-volatile memory (EEPROM).

Info

For a table with parameters and values which can be used together with this command please refer to section 5.

Internal function: The specified value will be copied to the global parameter specified by the type and bank number. Most parameters of bank 0 will automatically be stored in non-volatile memory.

Related commands: GGP, AGP.

Mnemonic: SGP <parameter number>, <bank>, <value>

| Binary Representation | | | |
|-----------------------|---------------|------------|---------|
| Instruction | Type | Motor/Bank | Value |
| 9 | see chapter 5 | 0/2/3 | <value> |

| Reply in Direct Mode | |
|----------------------|------------|
| Status | Value |
| 100 - OK | don't care |

Example

Set the serial address of the device to 3.
Mnemonic: SGP 66, 0, 3.

| Binary Form of SGP 66, 0, 3 | |
|-----------------------------|-----------------|
| Field | Value |
| Target address | 01 _h |
| Instruction number | 09 _h |
| Type | 42 _h |
| Motor/Bank | 00 _h |
| Value (Byte 3) | 00 _h |
| Value (Byte 2) | 00 _h |
| Value (Byte 1) | 00 _h |
| Value (Byte 0) | 03 _h |
| Checksum | 4F _h |



3.6.8 GGP (Get Global Parameter)

All global parameters can be read with this function. Global parameters are related to the host interface, peripherals or application specific variables. The different groups of these parameters are organized in banks to allow a larger total number for future products. Currently, bank 0 is used for global parameters, and bank 2 is used for user variables. Bank 3 is used for interrupt configuration.

i Info

For a table with parameters and values which can be used together with this command please refer to section 5.

Internal function: The global parameter specified by the type and bank number will be copied to the accumulator register.

Related commands: SGP, AGP.

Mnemonic: GGP <parameter number>, <bank>

| Binary Representation | | | |
|-----------------------|---------------|------------|----------------|
| Instruction | Type | Motor/Bank | Value |
| 10 | see chapter 5 | 0/2/3 | 0 (don't care) |

| Reply in Direct Mode | |
|----------------------|----------------------------|
| Status | Value |
| 100 - OK | value read by this command |

Example

Get the serial address of the device.

Mnemonic: GGP 66, 0.

| Binary Form of GGP 66, 0 | |
|--------------------------|-----------------|
| Field | Value |
| Target address | 01 _h |
| Instruction number | 0A _h |
| Type | 42 _h |
| Motor/Bank | 00 _h |
| Value (Byte 3) | 00 _h |
| Value (Byte 2) | 00 _h |
| Value (Byte 1) | 00 _h |
| Value (Byte 0) | 00 _h |
| Checksum | 4D _h |



3.6.9 STGP (Store Global Parameter)

This command is used to store TMCL global parameters permanently in the EEPROM of the module. This command is mainly needed to store the TMCL user variables (located in bank 2) in the EEPROM of the module, as most other global parameters (located in bank 0) are stored automatically when being modified. The contents of the user variables can either be automatically or manually restored at power on.

Info

For a table with parameters and values which can be used together with this command please refer to section 5.3.

Internal function: The global parameter specified by the type and bank number will be stored in the EEPROM.

Related commands: SGP, AGP, GGP, RSGP.

Mnemonic: STGP <parameter number>, <bank>

| Binary Representation | | | |
|-----------------------|-----------------|------------|----------------|
| Instruction | Type | Motor/Bank | Value |
| 11 | see chapter 5.3 | 2 | 0 (don't care) |

| Reply in Direct Mode | |
|----------------------|----------------|
| Status | Value |
| 100 - OK | 0 (don't care) |

Example

Store user variable #42.

Mnemonic: STGP 42, 2.

| Binary Form of STGP 42, 4 | |
|---------------------------|-----------------|
| Field | Value |
| Target address | 01 _h |
| Instruction number | 0B _h |
| Type | 2A _h |
| Motor/Bank | 02 _h |
| Value (Byte 3) | 00 _h |
| Value (Byte 2) | 00 _h |
| Value (Byte 1) | 00 _h |
| Value (Byte 0) | 00 _h |
| Checksum | 38 _h |



3.6.10 RSGP (Restore Global Parameter)

With this command the contents of a TMCL user variable can be restored from the EEPROM. By default, all user variables are automatically restored after power up. A user variable that has been changed before can be reset to the stored value by this instruction.

Info

For a table with parameters and values which can be used together with this command please refer to section 5.3.

Internal function: The global parameter specified by the type and bank number will be restored from the EEPROM.

Related commands: SGP, AGP, GGP, STGP.

Mnemonic: RSGP <parameter number>, <bank>

| Binary Representation | | | |
|-----------------------|-----------------|------------|----------------|
| Instruction | Type | Motor/Bank | Value |
| 12 | see chapter 5.3 | 2 | 0 (don't care) |

| Reply in Direct Mode | |
|----------------------|----------------|
| Status | Value |
| 100 - OK | 0 (don't care) |

Example

Restore user variable #42.

Mnemonic: RSGP 42, 2.

| Binary Form of RSGP 42, 2 | |
|---------------------------|-----------------|
| Field | Value |
| Target address | 01 _h |
| Instruction number | 0C _h |
| Type | 2A _h |
| Motor/Bank | 02 _h |
| Value (Byte 3) | 00 _h |
| Value (Byte 2) | 00 _h |
| Value (Byte 1) | 00 _h |
| Value (Byte 0) | 00 _h |
| Checksum | 39 _h |



3.6.11 RFS (Reference Search)

The TMCM-3314 has a built-in reference search algorithm. The reference search algorithm provides different reference search modes. This command starts or stops the built-in reference search algorithm. The status of the reference search can also be queried to see if it already has finished. (In a TMCL program it mostly is better to use the WAIT RFS command to wait for the end of a reference search.) Please see the appropriate parameters in the axis parameter table to configure the reference search algorithm to meet your needs (please see chapter 4.1).

Internal function: The internal reference search state machine is started or stoped, or its state is queried.

Related commands: SAP, GAP, WAIT.

Mnemonic: RFS <START|STOP|STATUS>, <motor>

| Binary Representation | | | |
|-----------------------|----------------------------------|------------|----------------|
| Instruction | Type | Motor/Bank | Value |
| 13 | 0 START — start reference search | 0 | 0 (don't care) |
| | 1 STOP — stop reference search | 0...3 | |
| | 2 STATUS — get status | | |

| Reply in Direct Mode (RFS START or RFS STOP) | |
|--|----------------|
| Status | Value |
| 100 - OK | 0 (don't care) |

| Reply in Direct Mode (RFS STATUS) | | |
|-----------------------------------|--------------|-------------------------|
| Status | Value | |
| 100 - OK | 0 | no ref. search active |
| | other values | reference search active |

Example

Start reference search of motor 0.

Mnemonic: RFS START, 0.



| Binary Form of RFS START | |
|--------------------------|-----------------|
| Field | Value |
| Target address | 01 _h |
| Instruction number | 0D _h |
| Type | 00 _h |
| Motor/Bank | 00 _h |
| Value (Byte 3) | 00 _h |
| Value (Byte 2) | 00 _h |
| Value (Byte 1) | 00 _h |
| Value (Byte 0) | 00 _h |
| Checksum | 0E _h |



3.6.12 SIO (Set Output)

This command sets the states of the general purpose digital outputs.

Internal function: The state of the output line specified by the type parameter is set according to the value passed to this command.

Related commands: GIO.

Mnemonic: SIO <port number>, <bank number>, <value>

| Binary Representation | | | |
|-----------------------|-----------------------|-------------------|-------|
| Instruction | Type | Motor/Bank | Value |
| 14 | <port number> (0...4) | <bank number> (2) | 0/1 |

| Reply in Direct Mode | |
|----------------------|----------------|
| Status | Value |
| 100 - OK | 0 (don't care) |

Example

Set output 3 (bank 2) to high.

Mnemonic: SIO 3, 2, 1.

| Binary Form of SIO 3, 2, 1 | |
|----------------------------|-----------------|
| Field | Value |
| Target address | 01 _h |
| Instruction number | 0E _h |
| Type | 03 _h |
| Motor/Bank | 02 _h |
| Value (Byte 3) | 00 _h |
| Value (Byte 2) | 00 _h |
| Value (Byte 1) | 00 _h |
| Value (Byte 0) | 01 _h |
| Checksum | 15 _h |

Bank 2 – Digital Outputs

The following OUT lines can be set by the SIO commands) using bank 2.



| Digital Outputs in Bank 2 | | |
|---------------------------|-------------------|-------|
| Port | Command | Range |
| OUT0 | SIO 0, 2, <value> | 0/1 |
| OUT1 | SIO 1, 2, <value> | 0/1 |
| OUT2 | SIO 2, 2, <value> | 0/1 |
| OUT3 | SIO 3, 2, <value> | 0/1 |



3.6.13 GIO (Get Input)

With this command the status of the available general purpose outputs of the module can be read. The function reads a digital or analogue input port. Digital lines will read 0 and 1, while the ADC channels deliver their 16 bit result in the range of 0...65535. In standalone mode the requested value is copied to the accumulator register for further processing purposes such as conditional jumps. In direct mode the value is only output in the value field of the reply, without affecting the accumulator. The actual status of a digital output line can also be read.

Internal function: The state of the i/o line specified by the type parameter and the bank parameter is read.

Related commands: SIO.

Mnemonic: GIO <port number>, <bank number>

| Binary Representation | | | |
|-----------------------|-----------------------|-----------------------|----------------|
| Instruction | Type | Motor/Bank | Value |
| 15 | <port number> (0...4) | <bank number> (0/1/2) | 0 (don't care) |

| Reply in Direct Mode | |
|----------------------|--------------------|
| Status | Value |
| 100 - OK | status of the port |

Example

Get the value of ADC channel 0.

Mnemonic: GIO 0, 1.

| Binary Form of GIO 0, 1 | |
|-------------------------|-----------------|
| Field | Value |
| Target address | 01 _h |
| Instruction number | 0F _h |
| Type | 00 _h |
| Motor/Bank | 01 _h |
| Value (Byte 3) | 00 _h |
| Value (Byte 2) | 00 _h |
| Value (Byte 1) | 00 _h |
| Value (Byte 0) | 00 _h |
| Checksum | 11 _h |



| Reply (Status=no error, Value=302) | |
|------------------------------------|-----------------|
| Field | Value |
| Host address | 02 _h |
| Target address | 01 _h |
| Status | 64 _h |
| Instruction | 0F _h |
| Value (Byte 3) | 00 _h |
| Value (Byte 2) | 00 _h |
| Value (Byte 1) | 01 _h |
| Value (Byte 0) | 2E _h |
| Checksum | A5 _h |

Bank 0 - digital inputs

The ADIN lines can be read as digital or analogue inputs at the same time. The digital states can be accessed in bank 0.

| Digital Inputs in Bank 0 | | |
|--------------------------|----------|-------|
| Port | Command | Range |
| IN0 | GIO 0, 0 | 0/1 |
| IN1 | GIO 1, 0 | 0/1 |
| IN2 | GIO 2, 0 | 0/1 |
| IN3 | GIO 3, 0 | 0/1 |

Bank 1 - analogue inputs

The ADIN lines can be read back as digital or analogue inputs at the same time. The analogue values can be accessed in bank 1.

| Analog Inputs in Bank 1 | | |
|-------------------------|----------|-----------|
| Port | Command | Range |
| IN0 | GIO 0, 1 | 0...65535 |
| IN1 | GIO 1, 1 | 0...65535 |
| IN2 | GIO 2, 1 | 0...65535 |
| IN3 | GIO 3, 1 | 0...65535 |

Bank 2 - states of the digital outputs

The states of the OUT lines (that have been set by SIO commands) can be read back using bank 2.



| Digital Outputs in Bank 2 | | |
|---------------------------|----------|-------|
| Port | Command | Range |
| OUT0 | GIO 0, 2 | 0/1 |
| OUT1 | GIO 1, 2 | 0/1 |
| OUT2 | GIO 2, 2 | 0/1 |
| OUT3 | GIO 3, 2 | 0/1 |



3.6.14 CALC (Calculate)

A value in the accumulator variable, previously read by a function such as GAP (get axis parameter) can be modified with this instruction. Nine different arithmetic functions can be chosen and one constant operand value must be specified. The result is written back to the accumulator, for further processing like comparisons or data transfer. *This command is mainly intended for use in standalone mode.*

Related commands: CALCX, COMP, AAP, AGP, GAP, GGP, GIO.

Mnemonic: CALC <operation>, <operand>

Binary representation

| Binary Representation | | | |
|-----------------------|--|----------------|-----------|
| Instruction | Type | Motor/Bank | Value |
| 19 | 0 ADD – add to accumulator | 0 (don't care) | <operand> |
| | 1 SUB – subtract from accumulator | | |
| | 2 MUL – multiply accumulator by | | |
| | 3 DIV – divide accumulator by | | |
| | 4 MOD – modulo divide accumulator by | | |
| | 5 AND – logical and accumulator with | | |
| | 6 OR – logical or accumulator with | | |
| | 7 XOR – logical exor accumulator with | | |
| | 8 NOT – logical invert accumulator | | |
| | 9 LOAD – load operand into accumulator | | |

| Reply in Direct Mode | |
|----------------------|--------------------------|
| Status | Value |
| 100 - OK | the operand (don't care) |

Example

Multiply accumulator by -5000.

Mnemonic: CALC MUL, -5000



| Binary Form of CALC MUL, -5000 | |
|--------------------------------|-----------------|
| Field | Value |
| Target address | 01 _h |
| Instruction number | 13 _h |
| Type | 02 _h |
| Motor/Bank | 00 _h |
| Value (Byte 3) | FF _h |
| Value (Byte 2) | FF _h |
| Value (Byte 1) | EC _h |
| Value (Byte 0) | 78 _h |
| Checksum | 78 _h |

| Reply (Status=no error, value=-5000: | |
|--------------------------------------|-----------------|
| Field | Value |
| Host address | 02 _h |
| Target address | 01 _h |
| Status | 64 _h |
| Instruction | 13 _h |
| Value (Byte 3) | FF _h |
| Value (Byte 2) | FF _h |
| Value (Byte 1) | EC _h |
| Value (Byte 0) | 78 _h |
| Checksum | DC _h |



3.6.15 COMP (Compare)

The specified number is compared to the value in the accumulator register. The result of the comparison can for example be used by the conditional jump (JC) instruction. *This command is intended for use in standalone operation only.*

Internal function: The accumulator register is compared with the specified value. The internal arithmetic status flags are set according to the result of the comparison. These can then control e.g. a conditional jump.

Related commands: JC, GAP, GGP, GIO, CALC, CALCX.

Mnemonic: COMP <operand>

| Binary Representation | | | |
|-----------------------|----------------|----------------|-----------|
| Instruction | Type | Motor/Bank | Value |
| 20 | 0 (don't care) | 0 (don't care) | <operand> |

Example

Jump to the address given by the label when the position of motor #0 is greater than or equal to 1000.

```

1 GAP 1, 0 //get actual position of motor 0
  COMP 1000 //compare actual value with 1000
3 JC GE, Label //jump to Lable if greter or equal to 1000
    
```

| Binary Form of COMP 1000 | |
|--------------------------|-----------------|
| Field | Value |
| Target address | 01 _h |
| Instruction number | 14 _h |
| Type | 00 _h |
| Motor/Bank | 00 _h |
| Value (Byte 3) | 00 _h |
| Value (Byte 2) | 00 _h |
| Value (Byte 1) | 03 _h |
| Value (Byte 0) | E8 _h |
| Checksum | 00 _h |



3.6.16 JC (Jump conditional)

The JC instruction enables a conditional jump to a fixed address in the TMCL program memory, if the specified condition is met. The conditions refer to the result of a preceding comparison. Please refer to COMP instruction for examples. *This command is intended for standalone operation only.*

Internal function: The TMCL program counter is set to the value passed to this command if the status flags are in the appropriate states.

Related commands: JA, COMP, WAIT, CLE.

Mnemonic: JC <condition>, <label>

| Binary Representation | | | |
|-----------------------|--------------------------|----------------|----------------|
| Instruction | Type | Motor/Bank | Value |
| 21 | 0 ZE - zero | 0 (don't care) | <jump address> |
| | 1 NZ - not zero | | |
| | 2 EQ - equal | | |
| | 3 NE - not equal | | |
| | 4 GT - greater | | |
| | 5 GE - greater/equal | | |
| | 6 LT - lower | | |
| | 7 LE - lower/equal | | |
| | 8 ETO - time out error | | |
| | 9 EAL - external alarm | | |
| | 10 EDV - deviation error | | |
| | 11 EPO - position error | | |

Example

Jump to the address given by the label when the position of motor #0 is greater than or equal to 1000.

```

1 GAP 1, 0 //get actual position of motor 0
  COMP 1000 //compare actual value with 1000
3 JC GE, Label //jump to Lable if greter or equal to 1000
  ...
5 Label: ROL 0, 1000
    
```



| Binary form of JC GE, Label assuming Label at address 10 | |
|--|-----------------|
| Field | Value |
| Target address | 01 _h |
| Instruction number | 15 _h |
| Type | 05 _h |
| Motor/Bank | 00 _h |
| Value (Byte 3) | 00 _h |
| Value (Byte 2) | 00 _h |
| Value (Byte 1) | 00 _h |
| Value (Byte 0) | 0A _h |
| Checksum | 25 _h |



3.6.17 JA (Jump always)

Jump to a fixed address in the TMCL program memory. *This command is intended for standalone operation only.*

Internal function: The TMCL program counter is set to the value passed to this command.

Related commands: JC, WAIT, CSUB.

Mnemonic: JA <label>

| Binary Representation | | | |
|-----------------------|----------------|----------------|----------------|
| Instruction | Type | Motor/Bank | Value |
| 22 | 0 (don't care) | 0 (don't care) | <jump address> |

Example

An infinite loop in TMCL:

```

1 Loop :
    MVP ABS , 0 , 51200
3    WAIT POS , 0 , 0
    MVP ABS , 0 , 0
5    WAIT POS , 0 , 0
    JA Loop
    
```

Binary form of the JA Loop command when the label Loop is at address 10:

| Binary Form of JA Loop (assuming Loop at address 10) | |
|--|-----------------|
| Field | Value |
| Target address | 01 _h |
| Instruction number | 16 _h |
| Type | 00 _h |
| Motor/Bank | 00 _h |
| Value (Byte 3) | 00 _h |
| Value (Byte 2) | 00 _h |
| Value (Byte 1) | 00 _h |
| Value (Byte 0) | 0A _h |
| Checksum | 21 _h |



3.6.18 CSUB (Call Subroutine)

This function calls a subroutine in the TMCL program memory. *It is intended for standalone operation only.*

Internal function: the actual TMCL program counter value is saved to an internal stack, afterwards overwritten with the passed value. The number of entries in the internal stack is limited to 8. This also limits nesting of subroutine calls to 8. The command will be ignored if there is no more stack space left.

Related commands: RSUB, JA.

Mnemonic: CSUB <label>

| Binary Representation | | | |
|-----------------------|----------------|----------------|----------------------|
| Instruction | Type | Motor/Bank | Value |
| 23 | 0 (don't care) | 0 (don't care) | <subroutine address> |

Example

Call a subroutine:

```

Loop :
2   MVP ABS , 0 , 10000
   CSUB SubW //Save program counter and jump to label SubW
4   MVP ABS , 0 , 0
   CSUB SubW //Save program counter and jump to label SubW
6   JA Loop

8 SubW :
   WAIT POS , 0 , 0
10  WAIT TICKS , 0 , 50
   RSUB //Continue with the command following the CSUB command
    
```

| Binary form of CSUB SubW (assuming SubW at address 100) | |
|--|-----------------|
| Field | Value |
| Target address | 01 _h |
| Instruction number | 17 _h |
| Type | 00 _h |
| Motor/Bank | 00 _h |
| Value (Byte 3) | 00 _h |
| Value (Byte 2) | 00 _h |
| Value (Byte 1) | 00 _h |
| Value (Byte 0) | 64 _h |
| Checksum | 7C _h |



3.6.19 RSUB (Return from Subroutine)

Return from a subroutine to the command after the CSUB command. *This command is intended for use in standalone mode only.*

Internal function: the TMCL program counter is set to the last value saved on the stack. The command will be ignored if the stack is empty.

Related commands: CSUB.

Mnemonic: RSUB

| Binary Representation | | | |
|-----------------------|----------------|----------------|----------------|
| Instruction | Type | Motor/Bank | Value |
| 24 | 0 (don't care) | 0 (don't care) | 0 (don't care) |

Example

Please see the CSUB example (section 3.6.18).

Binary form:

| Binary Form of RSUB | |
|---------------------|-----------------|
| Field | Value |
| Target address | 01 _h |
| Instruction number | 18 _h |
| Type | 00 _h |
| Motor/Bank | 00 _h |
| Value (Byte 3) | 00 _h |
| Value (Byte 2) | 00 _h |
| Value (Byte 1) | 00 _h |
| Value (Byte 0) | 00 _h |
| Checksum | 19 _h |



3.6.20 WAIT (Wait for an Event to occur)

This instruction interrupts the execution of the TMCL program until the specified condition is met. *This command is intended for standalone operation only.*

There are five different wait conditions that can be used:

- TICKS: Wait until the number of timer ticks specified by the <ticks> parameter has been reached.
- POS: Wait until the target position of the motor specified by the <motor> parameter has been reached. An optional timeout value (0 for no timeout) must be specified by the <ticks> parameter.
- REFSW: Wait until the reference switch of the motor specified by the <motor> parameter has been triggered. An optional timeout value (0 for no timeout) must be specified by the <ticks> parameter.
- LIMSW: Wait until a limit switch of the motor specified by the <motor> parameter has been triggered. An optional timeout value (0 for no timeout) must be specified by the <ticks> parameter.
- RFS: Wait until the reference search of the motor specified by the <motor> field has been reached. An optional timeout value (0 for no timeout) must be specified by the <ticks> parameter.

The timeout flag (ETO) will be set after a timeout limit has been reached. You can then use a JC ETO command to check for such errors or clear the error using the CLE command.

Internal function: the TMCL program counter is set held at the address of this WAIT command until the condition is met or the timeout has expired.

Related commands: JC, CLE.

Mnemonic: WAIT <condition>, <motor number>, <ticks>

| Binary Representation | | | |
|-----------------------|------------------------------------|----------------|--|
| Instruction | Type | Motor/Bank | Value |
| 27 | 0 TICKS – timer ticks | 0 (don't care) | <no. of ticks to wait ¹ > |
| | 1 POS – target position reached | <motor number> | <no. of ticks for timeout ¹ > 0 for no timeout |
| | 2 REFSW – reference switch | <motor number> | <no. of ticks for timeout ¹ > 0 for no timeout |
| | 3 LIMSW – limit switch | <motor number> | <no. of ticks for timeout ¹ > 0 for no timeout |
| | 4 RFS – reference search completed | <motor number> | <no. of ticks for timeout ¹ > 0 for no timeout |

Example

Wait for motor 0 to reach its target position, without timeout.

Mnemonic: WAIT POS, 0, 0

¹ one tick is 10 milliseconds



| Binary Form of WAIT POS, 0, 0 | |
|-------------------------------|-----------------|
| Field | Value |
| Target address | 01 _h |
| Instruction number | 1B _h |
| Type | 01 _h |
| Motor/Bank | 00 _h |
| Value (Byte 3) | 00 _h |
| Value (Byte 2) | 00 _h |
| Value (Byte 1) | 00 _h |
| Value (Byte 0) | 00 _h |
| Checksum | 1D _h |



3.6.21 STOP (Stop TMCL Program Execution – End of TMCL Program)

This command stops the execution of a TMCL program. *It is intended for use in standalone operation only.*

Internal function: Execution of a TMCL program in standalone mode will be stopped.

Related commands: none.

Mnemonic: STOP

| Binary Representation | | | |
|-----------------------|----------------|----------------|----------------|
| Instruction | Type | Motor/Bank | Value |
| 28 | 0 (don't care) | 0 (don't care) | 0 (don't care) |

Example

Mnemonic: STOP

| Binary Form of STOP | |
|---------------------|-----------------|
| Field | Value |
| Target address | 01 _h |
| Instruction number | 1C _h |
| Type | 00 _h |
| Motor/Bank | 00 _h |
| Value (Byte 3) | 00 _h |
| Value (Byte 2) | 00 _h |
| Value (Byte 1) | 00 _h |
| Value (Byte 0) | 00 _h |
| Checksum | 1D _h |



3.6.22 SCO (Set Coordinate)

Up to 20 position values (coordinates) can be stored for every axis for use with the MVP COORD command. This command sets a coordinate to a specified value. Depending on the global parameter 84, the coordinates are only stored in RAM or also stored in the EEPROM and copied back on startup (with the default setting the coordinates are stored in RAM only).

Note Coordinate #0 is always stored in RAM only.

Internal function: the passed value is stored in the internal position array.

Related commands: GCO, CCO, ACO, MVP COORD.

Mnemonic: SCO <coordinate number>, <motor number>, <position>

| Binary Representation | | | |
|-----------------------|-------------------------------|-------------------------|--|
| Instruction | Type | Motor/Bank | Value |
| 30 | <coordinate number> 0...20 | <motor number> 0...3 | <position> $-2^{31} \dots 2^{31} - 1$ |

Example

Set coordinate #1 of motor #0 to 1000.

Mnemonic: SCO 1, 0, 1000

| Binary Form of SCO 1, 0, 1000 | |
|-------------------------------|-----------------|
| Field | Value |
| Target address | 01 _h |
| Instruction number | 1E _h |
| Type | 01 _h |
| Motor/Bank | 00 _h |
| Value (Byte 3) | 00 _h |
| Value (Byte 2) | 00 _h |
| Value (Byte 1) | 03 _h |
| Value (Byte 0) | E8 _h |
| Checksum | 0B _h |

Two special functions of this command have been introduced that make it possible to copy all coordinates or one selected coordinate to the EEPROM. These functions can be accessed using the following special forms of the SCO command:

- SCO 0, 255, 0 copies all coordinates (except coordinate number 0) from RAM to the EEPROM.
- SCO <coordinate number>, 255, 0 copies the coordinate selected by <coordinate number> to the EEPROM. The coordinate number must be a value between 1 and 20.



3.6.23 GCO (Get Coordinate)

Using this command previously stored coordinate can be read back. In standalone mode the requested value is copied to the accumulator register for further processing purposes such as conditional jumps. In direct mode, the value is only output in the value field of the reply, without affecting the accumulator. Depending on the global parameter 84, the coordinates are only stored in RAM or also stored in the EEPROM and copied back on startup (with the default setting the coordinates are stored in RAM only).

Note Coordinate #0 is always stored in RAM only.

Internal function: the desired value is read out of the internal coordinate array, copied to the accumulator register and – in direct mode – returned in the value field of the reply.

Related commands: SCO, CCO, ACO, MVP COORD.

Mnemonic: GCO <coordinate number>, <motor number>

| Binary Representation | | | |
|-----------------------|-------------------------------|-------------------------|----------------|
| Instruction | Type | Motor/Bank | Value |
| 31 | <coordinate number> 0...20 | <motor number> 0...3 | 0 (don't care) |

| Reply in Direct Mode | |
|----------------------|----------------------------|
| Status | Value |
| 100 - OK | value read by this command |

Example

Get coordinate #1 of motor #0.

Mnemonic: GCO 1, 0

| Binary Form of GCO 1, 0 | |
|-------------------------|-----------------|
| Field | Value |
| Target address | 01 _h |
| Instruction number | 1F _h |
| Type | 01 _h |
| Motor/Bank | 00 _h |
| Value (Byte 3) | 00 _h |
| Value (Byte 2) | 00 _h |
| Value (Byte 1) | 00 _h |
| Value (Byte 0) | 00 _h |
| Checksum | 21 _h |



Two special functions of this command have been introduced that make it possible to copy all coordinates or one selected coordinate from the EEPROM to the RAM.

These functions can be accessed using the following special forms of the GCO command:

- GCO 0, 255, 0 copies all coordinates (except coordinate number 0) from the EEPROM to the RAM.
- GCO <coordinate number>, 255, 0 copies the coordinate selected by <coordinate number> from the EEPROM to the RAM. The coordinate number must be a value between 1 and 20.



3.6.24 CCO (Capture Coordinate)

This command copies the actual position of the axis to the selected coordinate variable. Depending on the global parameter 84, the coordinates are only stored in RAM or also stored in the EEPROM and copied back on startup (with the default setting the coordinates are stored in RAM only). Please see the SCO and GCO commands on how to copy coordinates between RAM and EEPROM.

Note Coordinate #0 is always stored in RAM only.

Internal function: the actual position of the selected motor is copied to selected coordinate array entry.

Related commands: SCO, GCO, ACO, MVP COORD.

Mnemonic: CCO <coordinate number>, <motor number>

| Binary Representation | | | |
|-----------------------|-------------------------------|-------------------------|----------------|
| Instruction | Type | Motor/Bank | Value |
| 32 | <coordinate number> 0...20 | <motor number> 0...3 | 0 (don't care) |

| Reply in Direct Mode | |
|----------------------|----------------------------|
| Status | Value |
| 100 - OK | value read by this command |

Example

Store current position of motor #0 to coordinate array entry #3.

Mnemonic: CCO 3, 0

| Binary Form of CCO 3, 0 | |
|-------------------------|-----------------|
| Field | Value |
| Target address | 01 _h |
| Instruction number | 20 _h |
| Type | 01 _h |
| Motor/Bank | 00 _h |
| Value (Byte 3) | 00 _h |
| Value (Byte 2) | 00 _h |
| Value (Byte 1) | 00 _h |
| Value (Byte 0) | 00 _h |
| Checksum | 22 _h |



3.6.25 ACO (Accu to Coordinate)

With the ACO command the actual value of the accumulator is copied to a selected coordinate of the motor. Depending on the global parameter 84, the coordinates are only stored in RAM or also stored in the EEPROM and copied back on startup (with the default setting the coordinates are stored in RAM only).

Note Coordinate #0 is always stored in RAM only.

Internal function: the actual position of the selected motor is copied to selected coordinate array entry.

Related commands: SCO, GCO, CO, MVP COORD.

Mnemonic: ACO <coordinate number>, <motor number>

| Binary Representation | | | |
|-----------------------|-------------------------------|-------------------------|----------------|
| Instruction | Type | Motor/Bank | Value |
| 39 | <coordinate number> 0...20 | <motor number> 0...3 | 0 (don't care) |

| Reply in Direct Mode | |
|----------------------|------------|
| Status | Value |
| 100 - OK | don't care |

Example

Copy the actual value of the accumulator to coordinate #1 of motor #0.

Mnemonic: ACO 1, 0

| Binary Form of ACO 1, 0 | |
|-------------------------|-----------------|
| Field | Value |
| Target address | 01 _h |
| Instruction number | 27 _h |
| Type | 01 _h |
| Motor/Bank | 00 _h |
| Value (Byte 3) | 00 _h |
| Value (Byte 2) | 00 _h |
| Value (Byte 1) | 00 _h |
| Value (Byte 0) | 00 _h |
| Checksum | 29 _h |



3.6.26 CALCX (calculate using the X register)

This instruction is very similar to CALC, but the second operand comes from the X register. The X register can be loaded with the LOAD or the SWAP type of this instruction. The result is written back to the accumulator for further processing like comparisons or data transfer. *This command is mainly intended for use in standalone mode.*

Related commands: CALC, COMP, JC, AAP, AGP, GAP, GGP, GIO.

Mnemonic: CALCX <operation>

| Binary Representation | | | |
|---|--|----------------|----------------|
| Instruction | Type | Motor/Bank | Value |
| 33 | 0 ADD – add X register to accumulator | 0 (don't care) | 0 (don't care) |
| | 1 SUB – subtract X register from accumulator | | |
| | 2 MUL – multiply accumulator by X register | | |
| | 3 DIV – divide accumulator by X register | | |
| | 4 MOD – modulo divide accumulator by X register | | |
| | 5 AND – logical and accumulator with X register | | |
| | 6 OR – logical or accumulator with X register | | |
| | 7 XOR – logical exor accumulator with X register | | |
| | 8 NOT – logical invert X register | | |
| | 9 LOAD – copy accumulator to X register | | |
| 10 SWAP – swap accumulator and X register | | | |

| Reply in Direct Mode | |
|----------------------|------------|
| Status | Value |
| 100 - OK | don't care |

Example

Multiply accumulator and X register.

Mnemonic: CALCX MUL



| Binary Form of CALCX MUL | |
|--------------------------|-----------------|
| Field | Value |
| Target address | 01 _h |
| Instruction number | 21 _h |
| Type | 02 _h |
| Motor/Bank | 00 _h |
| Value (Byte 3) | 00 _h |
| Value (Byte 2) | 00 _h |
| Value (Byte 1) | 00 _h |
| Value (Byte 0) | 00 _h |
| Checksum | 24 _h |



3.6.27 AAP (Accu to Axis Parameter)

The content of the accumulator register is transferred to the specified axis parameter. For practical usage, the accumulator has to be loaded e.g. by a preceding GAP instruction. The accumulator may have been modified by the CALC or CALCX (calculate) instruction. *This command is mainly intended for use in standalone mode.*

Info

For a table with parameters and values which can be used together with this command please refer to section 4.1.

Related commands: AGP, SAP, GAP, SGP, GGP, GIO, GCO, CALC, CALCX.

Mnemonic: AAP <parameter number>, <motor number>

| Binary Representation | | | |
|-----------------------|--------------------|---------------------|----------------|
| Instruction | Type | Motor/Bank | Value |
| 34 | <parameter number> | 0...3<motor number> | 0 (don't care) |

| Reply in Direct Mode | |
|----------------------|------------|
| Status | Value |
| 100 - OK | don't care |

Example

Position motor #0 by a potentiometer connected to analogue input #0:

```

1 Start:
    GIO 0,1 //get value of analogue input line 0
3    CALC MUL, 4 //multiply by 4
    AAP 0,0 //transfer result to target position of motor 0
5    JA Start //jump back to start
    
```

| Binary Form of AAP 0, 0 | |
|-------------------------|-----------------|
| Field | Value |
| Target address | 01 _h |
| Instruction number | 22 _h |
| Type | 00 _h |
| Motor/Bank | 00 _h |
| Value (Byte 3) | 00 _h |
| Value (Byte 2) | 00 _h |
| Value (Byte 1) | 00 _h |
| Value (Byte 0) | 00 _h |
| Checksum | 23 _h |



3.6.28 AGP (Accu to Global Parameter)

The content of the accumulator register is transferred to the specified global parameter. For practical usage, the accumulator has to be loaded e.g. by a preceding GAP instruction. The accumulator may have been modified by the CALC or CALCX (calculate) instruction. *This command is mainly intended for use in standalone mode.*

Info

For an overview of parameter and bank indices that can be used with this command please see section 5.

Related commands: AAP, SGP, GGP, SAP, GAP, GIO.

Mnemonic: AGP <parameter number>, <bank number>

| Binary Representation | | | |
|-----------------------|--------------------|---------------------|----------------|
| Instruction | Type | Motor/Bank | Value |
| 35 | <parameter number> | 0/2/3 <bank number> | 0 (don't care) |

| Reply in Direct Mode | |
|----------------------|------------|
| Status | Value |
| 100 - OK | don't care |

Example

Copy accumulator to user variable #42:

Mnemonic: AGP 42, 2

| Binary Form of AGP 42, 2 | |
|--------------------------|-----------------|
| Field | Value |
| Target address | 01 _h |
| Instruction number | 23 _h |
| Type | 2A _h |
| Motor/Bank | 02 _h |
| Value (Byte 3) | 00 _h |
| Value (Byte 2) | 00 _h |
| Value (Byte 1) | 00 _h |
| Value (Byte 0) | 00 _h |
| Checksum | 50 _h |



3.6.29 CLE (Clear Error Flags)

This command clears the internal error flags. It is mainly intended for use in standalone mode. The following error flags can be cleared by this command (determined by the <flag> parameter):

- ALL: clear all error flags.
- ETO: clear the timeout flag.
- EAL: clear the external alarm flag.
- EDV: clear the deviation flag.
- EPO: clear the position error flag.

Related commands: JC, WAIT.

Mnemonic: CLE <flags>

| Binary Representation | | | |
|-----------------------|---|----------------|----------------|
| Instruction | Type | Motor/Bank | Value |
| 36 | 0 ALL – all flags 1 – (ETO) timeout flag 2 – (EAL) alarm flag 3 – (EDV) deviation flag 4 – (EPO) position flag 5 – (ESD) shutdown flag | 0 (don't care) | 0 (don't care) |

| Reply in Direct Mode | |
|----------------------|------------|
| Status | Value |
| 100 - OK | don't care |

Example

Reset the timeout flag.

Mnemonic: CLE ETO



| Binary Form of CLE ETO | |
|------------------------|-----------------|
| Field | Value |
| Target address | 01 _h |
| Instruction number | 24 _h |
| Type | 01 _h |
| Motor/Bank | 00 _h |
| Value (Byte 3) | 00 _h |
| Value (Byte 2) | 00 _h |
| Value (Byte 1) | 00 _h |
| Value (Byte 0) | 00 _h |
| Checksum | 26 _h |



3.6.30 EI (Enable Interrupt)

The EI command enables an interrupt. It needs the interrupt number as parameter. Interrupt number 255 globally enables interrupt processing. *This command is mainly intended for use in standalone mode.*

Info

Please see table 12 for a list of interrupts that can be used on the TMCM-3314 module.

Related commands: DI, VECT, RETI.

Mnemonic: EI <interrupt number>

| Binary Representation | | | |
|-----------------------|--------------------|----------------|----------------|
| Instruction | Type | Motor/Bank | Value |
| 25 | <interrupt number> | 0 (don't care) | 0 (don't care) |

| Reply in Direct Mode | |
|----------------------|------------|
| Status | Value |
| 100 - OK | don't care |

Example

Globally enable interrupt processing:

Mnemonic: EI 255

| Binary form of EI 255 | |
|-----------------------|-----------------|
| Field | Value |
| Target address | 01 _h |
| Instruction number | 19 _h |
| Type | FF _h |
| Motor/Bank | 00 _h |
| Value (Byte 3) | 00 _h |
| Value (Byte 2) | 00 _h |
| Value (Byte 1) | 00 _h |
| Value (Byte 0) | 00 _h |
| Checksum | 19 _h |



3.6.31 DI (Disable Interrupt)

The DI command disables an interrupt. It needs the interrupt number as parameter. Interrupt number 255 globally disables interrupt processing. *This command is mainly intended for use in standalone mode.*

Info

Please see table 12 for a list of interrupts that can be used on the TMCM-3314 module.

Related commands: EI, VECT, RETI.

Mnemonic: DI <interrupt number>

| Binary Representation | | | |
|-----------------------|--------------------|----------------|----------------|
| Instruction | Type | Motor/Bank | Value |
| 26 | <interrupt number> | 0 (don't care) | 0 (don't care) |

| Reply in Direct Mode | |
|----------------------|------------|
| Status | Value |
| 100 - OK | don't care |

Example

Globally disable interrupt processing:

Mnemonic: DI 255

| Binary Form of DI 255 | |
|-----------------------|-----------------|
| Field | Value |
| Target address | 01 _h |
| Instruction number | 1A _h |
| Type | FF _h |
| Motor/Bank | 00 _h |
| Value (Byte 3) | 00 _h |
| Value (Byte 2) | 00 _h |
| Value (Byte 1) | 00 _h |
| Value (Byte 0) | 00 _h |
| Checksum | 1A _h |



3.6.32 VECT (Define Interrupt Vector)

The VECT command defines an interrupt vector. It takes an interrupt number and a label (just like with JA, JC and CSUB commands) as parameters. The label must be the entry point of the interrupt handling routine for this interrupts. Interrupt vectors can also be re-defined. *This command is intended for use in standalone mode only.*

Info

Please see table 12 for a list of interrupts that can be used on the TMCM-3314 module.

Related commands: EI, DI, RETI.

Mnemonic: VECT <interrupt number>, <label>

| Binary Representation | | | |
|-----------------------|--------------------|----------------|---------|
| Instruction | Type | Motor/Bank | Value |
| 37 | <interrupt number> | 0 (don't care) | <label> |

| Reply in Direct Mode | |
|----------------------|------------|
| Status | Value |
| 100 - OK | don't care |

Example

Define interrupt vector for timer #0 interrupt:

```

1   VECT 0, Timer0Irq
   ...
3 Loop:
   ...
5   JA Loop
   ...
7 Timer0Irq:
   SID 0, 2, 1
9   RETI
    
```



| Binary form of VECT (assuming label is at 50) | |
|---|-----------------|
| Field | Value |
| Target address | 01 _h |
| Instruction number | 25 _h |
| Type | FF _h |
| Motor/Bank | 00 _h |
| Value (Byte 3) | 00 _h |
| Value (Byte 2) | 00 _h |
| Value (Byte 1) | 00 _h |
| Value (Byte 0) | 32 _h |
| Checksum | 58 _h |



3.6.33 RETI (Return from Interrupt)

This command terminates an interrupt handling routine. Normal program flow will be continued then. *This command is intended for use in standalone mode only.*

An interrupt routine must always end with a RETI command. Do not allow the normal program flow to run into an interrupt routine.

Internal function: The saved registers (accumulator, X registers, flags and program counter) are copied back so that normal program flow will continue.

Related commands: EI, DI, VECT.

Mnemonic: RETI

| Binary Representation | | | |
|-----------------------|--------------------|----------------|----------------|
| Instruction | Type | Motor/Bank | Value |
| 38 | <interrupt number> | 0 (don't care) | 0 (don't care) |

| Reply in Direct Mode | |
|----------------------|------------|
| Status | Value |
| 100 - OK | don't care |

Example

Return from an interrupt handling routine.

Mnemonic: RETI

| Binary Form of RETI | |
|---------------------|-----------------|
| Field | Value |
| Target address | 01 _h |
| Instruction number | 26 _h |
| Type | FF _h |
| Motor/Bank | 00 _h |
| Value (Byte 3) | 00 _h |
| Value (Byte 2) | 00 _h |
| Value (Byte 1) | 00 _h |
| Value (Byte 0) | 00 _h |
| Checksum | 27 _h |



3.6.34 Customer specific Command Extensions (UF0... UF7 – User Functions)

These commands are used for customer specific extensions of TMCL. They will be implemented in C by Trinamic. Please contact the sales department of Trinamic Motion Control GmbH & Co KG if you need a customized TMCL firmware.

Related commands: none.

Mnemonic: UF0... UF7

| Binary Representation | | | |
|-----------------------|----------------|------------------|------------------|
| Instruction | Type | Motor/Bank | Value |
| 64...71 | <user defined> | 0 <user defined> | 0 <user defined> |

| Reply in Direct Mode | |
|----------------------|--------------|
| Status | Value |
| 100 - OK | user defined |



3.6.35 Request Target Position reached Event

This command is the only exception to the TMCL protocol, as it sends two replies: One immediately after the command has been executed (like all other commands also), and one additional reply that will be sent when the motor has reached its target position. *This instruction can only be used in direct mode (in standalone mode, it is covered by the WAIT command) and hence does not have a mnemonic.*

Internal function: send an additional reply when a motor has reached its target position.

Related commands: none.

| Binary Representation | | | |
|-----------------------|------|----------------|--------------|
| Instruction | Type | Motor/Bank | Value |
| 138 | 0/1 | 0 (don't care) | <bit vector> |

With command 138 the value field is a bit vector. It shows for which motors one would like to have a position reached message. The value field contains a bit mask where every bit stands for one motor. Bit 0 stands for motor #0, bit 1 stands for motor #1, bit 2 stands for motor #2 and so on. With the type field set to 0, only for the next MVP command that follows this command a position reached message will be generated. With type set to 1 a position reached message will be generated for every MVP command that follows this command. It is recommended to use the latter option.

Example

Get target position reached message for motors #2 and #3.

| Binary Form for this example | |
|------------------------------|-----------------|
| Field | Value |
| Target address | 01 _h |
| Instruction number | 8A _h |
| Type | 01 _h |
| Motor/Bank | 00 _h |
| Value (Byte 3) | 00 _h |
| Value (Byte 2) | 00 _h |
| Value (Byte 1) | 00 _h |
| Value (Byte 0) | 05 _h |
| Checksum | 91 _h |



| Reply in Direct Mode | |
|----------------------|--------------------------------|
| Field | Value |
| Target address | 01 _h |
| Host address | 02 _h |
| Status | 64 _h (100) |
| Command | 8A _h (138) |
| Value (Byte 3) | 00 _h |
| Value (Byte 2) | 00 _h |
| Value (Byte 1) | 00 _h |
| Value (Byte 0) | Motor bit mask |
| Checksum | depends also on motor bit mask |

| Additional Reply after Motor has reached Target Position | |
|--|--------------------------------|
| Field | Value |
| Target address | 01 _h |
| Host address | 02 _h |
| Status | 80 _h (128) |
| Command | 8A _h (138) |
| Value (Byte 3) | 00 _h |
| Value (Byte 2) | 00 _h |
| Value (Byte 1) | 00 _h |
| Value (Byte 0) | Motor bit mask |
| Checksum | depends also on motor bit mask |



3.6.36 TMCL Control Commands

There is a set of TMCL commands which are called TMCL control commands. These commands can only be used in direct mode and not in a standalone program. For this reason they only have opcodes, but no mnemonics. Most of these commands are only used by the TMCL-IDE (in order to implement e.g. the debugging functions in the TMCL creator). Some of them are also interesting for use in custom host applications, for example to start a TMCL routine on a module, when combining direct mode and standalone mode (please see also section 7.6. The following table lists all TMCL control commands.

The motor/bank parameter is not used by any of these functions and thus is not listed in the table. It should always be set to 0 with these commands.

| TMCL Control Commands | | | |
|---------------------------|--|---------------------------|----------------------------|
| Instruction | Description | Type | Value |
| 128 – stop application | stop a running TMCL application | 0 (don't care) | 0 (don't care) |
| 129 – run application | start or continue TMCL program execution | 0 – from current address | 0 (don't care) |
| | | 1 – from specific address | starting address |
| 130 – step application | execute only the next TMCL command | 0 (don't care) | 0 (don't care) |
| 131 – reset application | Stop a running TMCL program. Reset program counter and stack pointer to zero. Reset accumulator and X register to zero. Reset all flags. | 0 (don't care) | 0 (don't care) |
| 132 – enter download mode | All following commands (except control commands) are not executed but stored in the TMCL memory. | 0 (don't care) | start address for download |
| 133 – exit download mode | End the download mode. All following commands are executed normally again. | 0 (don't care) | 0 (don't care) |
| 134 – read program memory | Return contents of the specified program memory location (special reply format). | 0 (don't care) | address of memory location |



| Instruction | Description | Type | Value |
|--------------------------------|---|--|----------------|
| 135 – get application status | Return information about the current status, depending on the type field. | 0 - return mode, wait flag, memory pointer 1 - return mode, wait flag, program counter 2 - return accumulator 3 - return X register | 0 (don't care) |
| 136 – get firmware version | Return firmware version in string format (special reply) or binary format). | 0 - string format 1 - binary format | 0 (don't care) |
| 137 – restore factory settings | Reset all settings in the EEPROM to their factory defaults. This command does not send a reply. | 0 (don't care) | set to 1234 |

Table 13: TMCL Control Commands

Especially the commands 128, 129, 131 and 136 are interesting for use in custom host applications. The other control commands are to be used mainly by the TMCL-IDE.



4 Axis Parameters

The following sections describe all axis parameters that can be used with the SAP, GAP, AAP, STAP and RSAP commands.

4.1 Axis Parameter Overview

This section contains a table which describes all axis parameters that can be used on the TMCM-3314 module.

| All Axis Parameters of the TMCM-3314 Module | | | | |
|---|---------------------------|---|---|--------|
| Number | Axis Parameter | Description | Range [Units] | Access |
| 0 | Target position | The desired target position in position mode | -2147483648 ... 2147483647 [μsteps] | RW |
| 1 | Actual position | The actual position of the motor. Stop the motor before overwriting it. Should normally only be overwritten for reference position setting. | -2147483648 ... 2147483647 [μsteps] | RW |
| 2 | Target speed | The desired speed in velocity mode. Not valid in position mode. | -1677215 ... 1677215 [pps] | RW |
| 3 | Actual speed | The actual speed of the motor. | -1677215 ... 1677215 [pps] | R |
| 4 | Maximum positioning speed | The maximum speed used for positioning ramps. | 0... 1677215 [pps] | RW |
| 5 | Maximum acceleration | Maximum acceleration during ramp-up. | 0... 1677215 [pps ²] | RW |
| 6 | Maximum current | Motor current used when motor is running. The maximum value is 255 which means 100% of the maximum current of the module. <i>The most important setting, as too high values can cause motor damage.</i> | 0... 255 | RW |
| 7 | Standby current | The current used when the motor is not running. The maximum value is 255 which means 100% of the maximum current of the module. This value should be as low as possible so that the motor can cool down when it is not moving. Please see also parameter 214. | 0... 255 | RW |
| 8 | Position reached flag | This flag is always set when target position and actual position are equal. | 0/1 | R |
| 9 | Home switch state | The logical state of the home switch input. | 0/1 | R |
| 10 | Right limit switch state | The logical state of the right limit switch input. | 0/1 | R |



| Number | Axis Parameter | Description | Range [Units] | Access |
|--------|--------------------------------------|---|-----------------------------------|--------|
| 11 | Left limit switch state | The logical state of the left limit switch input. | 0/1 | R |
| 12 | Right limit switch enable / polarity | 0 - switch deactivated 1 - switch active, motor will stop if input is low 2 - switch active, motor will stop if input is high | 0/1/2 | RW |
| 13 | Left limit switch enable / polarity | 0 - switch deactivated 1 - switch active, motor will stop if input is low 2 - switch active, motor will stop if input is high | 0/1/2 | RW |
| 15 | Start velocity | For trapezoidal ramps: initial velocity at motion start. | 0 .. 16777215 [pps] | RW |
| 16 | Start acceleration | For trapezoidal ramps: initial acceleration at motion start. Will be changed to maximum acceleration (axis parameter 5) as soon as the break velocity has been reached (axis parameter 18). | 0 .. 16777215 [pps] | RW |
| 17 | Maximum deceleration | For trapezoidal ramps: maximum deceleration. May be set to the same value as the maximum acceleration (axis parameter 5), but can also be set to a different value. | 0 .. 16777215 [pps ²] | RW |
| 18 | Break velocity | For trapezoidal ramps: below this velocity the start acceleration (axis parameter 16) is used – above this velocity the maximum acceleration (axis parameter 5) is used. | 0 .. 16777215 [pps ²] | RW |
| 19 | Final deceleration | For trapezoidal ramps: deceleration used as soon as the actual velocity has fallen below the break velocity (axis parameter 18). | 0 .. 16777215 [pps] | RW |
| 20 | Stop velocity | For trapezoidal ramps: velocity when target position has been reached and motion stops. | 0 .. 16777215 [pps] | RW |
| 21 | Stop deceleration | Deceleration value if stop switches or virtual stops are used with soft ramps. A value not equal to zero will generate an automatic linear ramp when a stop switch is hit or a virtual stop has been reached. | 0 .. 16777215 | RW |
| 26 | Virtual stop left | Virtual stop position when motor is moving in negative direction. | -2147483648 ... 2147483647 [pps] | RW |
| 27 | Virtual stop right | Virtual stop position when motor is moving in positive direction. | -2147483648 ... 2147483647 [pps] | RW |
| 28 | Virtual stop enable | 0 - both virtual stop disabled 1 - Virtual stop left enable 2 - Virtual stop right enable 3 - both virtual stop enabled | 0 .. 3 | RW |



| Number | Axis Parameter | Description | Range [Units] | Access |
|--------|------------------------------------|--|--------------------------|--------|
| 29 | Virtual stop mode | 0 - use normal ramp deceleration settings 1 - use hard stop 2 - use stop deceleration (parameter #21) | 0/1/2 | R |
| 33 | Swap stop switches | Use right stops switch for negative direction and left stop switch for positive direction if set to 1. | 0/1 | RW |
| 34 | Enable soft stop | 0 - use hard stop at stop switches 1 - use deceleration ramp (parameter #21) at stop switches | 0/1 | RW |
| 108 | CL gamma Vmin | For higher velocities the influence of the back EMF may be compensated. At this velocity the compensation will start. | 0...16777215 [pps] | RW |
| 109 | CL gamma Vmax | For higher velocities the influence of the back EMF may be compensated. At the start velocity (axis parameter #108) plus this velocity the compensation will reach its maximum. | 0...16777215 [pps] | RW |
| 110 | CL maximum gamma | For higher velocities the influence of the back EMF may be compensated. This is the compensation factor that will be added scaled using the current velocity (see axis parameter #108 and #109). | 0...255 | RW |
| 111 | CL beta | Maximum commutation angle that can be used to compensate for an evaluated position deviation. | 0...511 | RW |
| 112 | CL offset | Offset for closed loop operation. Measured during closed loop initialization. | -2147483648...2147483647 | RW |
| 113 | CL current minimum | Minimum current setting in closed loop operation. | 0...255 | RW |
| 114 | CL current maximum | Maximum current setting in closed loop operation. | 0...255 | RW |
| 115 | CL correction velocity P | Parameter P of the PI regulator which controls the maximum velocity during closed loop regulation. | 0...1677215 | RW |
| 116 | CL correction velocity I | Parameter I of PI regulator which controls the maximum velocity during closed loop regulation. | 0...16777215 | RW |
| 117 | CL correction velocity I clipping | Clipping of the error sum of the integral part of the PI regulator which controls the maximum velocity during closed loop regulation. | 0...32767 | RW |
| 118 | CL correction velocity DV clock | Clock divider for D part calculation. | 0...32767 | RW |
| 119 | CL correction velocity DV clipping | Limit maximum velocity deviation above the maximum velocity. | 0...2147483647 | RW |



| Number | Axis Parameter | Description | Range [Units] | Access | | | | | | |
|--------|------------------------------|--|----------------|----------------------|---|-----------------|---|------------------|-----|----|
| 120 | CL upscale delay | Delay when increasing motor current during closed loop operation. | 0...16777215 | RW | | | | | | |
| 121 | CL downscale delay | Delay when decreasing motor current during closed loop operation. | 0...16777215 | RW | | | | | | |
| 124 | CL correction position P | Proportional controller P parameter for compensating a detected position deviation. Resulting P parameter is this parameter divided by 65536. | 0...16777215 | RW | | | | | | |
| 125 | CL max. correction tolerance | Tolerance range for position deviation. | 0...255 | RW | | | | | | |
| 126 | CL start up | Tolerance range for position deviation. If position deviation is within the CL start up window the current will not ramp up. | 0...255 | RW | | | | | | |
| 127 | Relative positioning option | Start position for MVP REL command: <table border="1" style="margin-left: 20px;"> <tr> <td>0</td> <td>last target position</td> </tr> <tr> <td>1</td> <td>actual position</td> </tr> <tr> <td>2</td> <td>encoder position</td> </tr> </table> | 0 | last target position | 1 | actual position | 2 | encoder position | 0/1 | RW |
| 0 | last target position | | | | | | | | | |
| 1 | actual position | | | | | | | | | |
| 2 | encoder position | | | | | | | | | |
| 129 | Closed Loop Flag | 0 - closed loop off 1 - closed loop on After switching on closed loop, please wait until parameter #133 is 1 before executing any motion commands. | 0/1 | RW | | | | | | |
| 133 | Closed Loop Init Flag | 0 - initialization not finished yet 1 - closed loop initialization finished | 0/1 | R | | | | | | |
| 134 | Positioning window | Maximum deviation for target reached flag to be set. | 0...2147483647 | RW | | | | | | |
| 136 | EncMeanWait | Encoder filter related | | RW | | | | | | |
| 137 | EncMeanFilter | Encoder filter related | | RW | | | | | | |
| 138 | EncMeanInt | Encoder filter related | | RW | | | | | | |



| Number | Axis Parameter | Description | Range [Units] | Access |
|--------|---|--|---------------|--------|
| 140 | Microstep resolution | Microstep resolutions per full step: 0 fullstep 1 halfstep 2 4 microsteps 3 8 microsteps 4 16 microsteps 5 32 microsteps 6 64 microsteps 7 128 microsteps 8 256 microsteps Always leave at 8 (256 microstpes) when using closed loop operation! | 0..8 | RW |
| 162 | Chopper blank time | Selects the comparator blank time. This time needs to safely cover the switching event and the duration of the ringing on the sense resistor. Normally leave at the default value. | 0..3 | RW |
| 163 | Constant TOff mode | Selection of the chopper mode: 0 - spread cycle 1 - classic constant off time | 0/1 | RW |
| 164 | Disable fast decay comperator | See parameter 163. For "classic const. off time" setting this parameter to "1" will disable current comparator usage for termination of fast decay cycle. | 0/1 | RW |
| 165 | Chopper hysteresis end / fast decay time | See parameter 163. For "spread cycle" chopper mode this parameter will set / return the hysteresis end setting (hysteresis end value after a number of decrements). For "classic const. off time" chopper mode this parameter will set / return the fast decay time. | 0...15 | RW |
| 166 | Chopper hysteresis start / sine wave offset | See parameter 163. For "spread cycle" chopper mode this parameter will set / return the Hysteresis start setting (please note that this value is an offset to the hysteresis end value). For "classic const. off time" chopper mode this parameter will set / return the sine wave offset. | 0...8 | RW |
| 167 | Chopper off time (TOff) | The off time setting controls the minimum chopper frequency. An off time within the range of 5µs to 20µs will fit. Off time setting for constant t Off chopper: $N_{CLK} = 12 + 32 * tOFF$ (Minimum is 64 clocks) Setting this parameter to zero completely disables all driver transistors and the motor can free-wheel. | 0...15 | RW |



| Number | Axis Parameter | Description | Range [Units] | Access |
|--------|--------------------------------------|---|---------------|--------|
| 168 | smartEnergy current minimum (SEIMIN) | Sets the lower motor current limit for coolStep operation by scaling the maximum current (see axis parameter 6) value. Minimum motor current: 0 - $\frac{1}{2}$ of CS 1 - $\frac{1}{4}$ of CS | 0/1 | RW |
| 169 | smartEnergy current down step | Sets the number of stallGuard2 readings above the upper threshold necessary for each current decrement of the motor current. Number of stallGuard2 measurements per decrement: Scaling: 0...3: 32, 8, 2, 1 0: slow decrement 3: fast decrement | 0...3 | RW |
| 170 | smartEnergy hysteresis | Sets the distance between the lower and the upper threshold for stallGuard2 reading. Above the upper threshold the motor current becomes decreased. Hysteresis: $([AP172] + 1) * 32$ Upper stallGuard threshold: $([AP172] + [AP170] + 1) * 32$ | 0...15 | RW |
| 171 | smart Energy current up step | Sets the current increment step. The current becomes incremented for each measured stallGuard2 value below the lower threshold see smartEnergy hysteresis start). Current increment step size: Scaling: 0...3: 1, 2, 4, 8 0: slow increment 3: fast increment / fast reaction to rising load | 0...3 | RW |
| 172 | smart Energy hysteresis start | The lower threshold for the stallGuard2 value (see smart Energy current up step). | 0..15 | RW |
| 173 | stallGuard2 filter enable | Enables the stallGuard2 filter for more precision of the measurement. If set, reduces the measurement frequency to one measurement per four fullsteps. In most cases it is expedient to set the filtered mode before using coolStep. Use the standard mode for step loss detection. 0 - standard mode 1 - filtered mode | 0/1 | RW |
| 174 | stallGuard2 threshold | This signed value controls stallGuard2 threshold level for stall output and sets the optimum measurement range for readout. A lower value gives a higher sensitivity. Zero is the starting value. A higher value makes stallGuard2 less sensitive and requires more torque to indicate a stall. | -64...+63 | RW |



| Number | Axis Parameter | Description | Range [Units] | Access |
|--------|-----------------------------|--|----------------------|--------|
| 180 | smartEnergy actual current | This status value provides the actual motor current setting as controlled by coolStep. The value goes up to the CS value and down to the portion of CS as specified by SEIMIN. Actual motor current scaling factor: 0...31: 1/32, 2/32, ...32/32 | 0...31 | R |
| 181 | Stop on stall | Below this speed motor will not be stopped. Above this speed motor will stop in case stall-Guard2 load value reaches zero. | 0...2147483647 [pps] | RW |
| 182 | smartEnergy threshold speed | Above this speed coolStep becomes enabled. | 0...2147483647 [pps] | RW |
| 184 | Random TOFF mode | 0 - Chopper off time is fixed 1 - Chopper off time is random | 0/1 | RW |
| 185 | Chopper synchronization | This parameter allows synchronization of the chopper for both phases of a two phase motor in order to avoid the occurrence of a beat, especially at low velocities. 0: chopper sync function chopSync off 1...15: chopper synchronization | 0...15 | RW |
| 186 | PWM threshold speed | The stealthChop feature will be switched on when this parameter is ≥ 0 and the actual velocity is higher than this value. | 0...2147483647 [pps] | RW |
| 187 | PWM gradient | Velocity dependent gradient for PWM amplitude (stealthChop). Setting this value to 0 turns off stealthChop. | 0...15 | RW |
| 188 | PWM amplitude | Maximum PWM amplitude when switching to stealthChop mode. Do not set too low. Values above 64 recommended. | 0...255 | RW |



| Number | Axis Parameter | Description | Range [Units] | Access | | | | | | | | | | | | | | | | |
|--------|---|---|---|-------------------------------|---|---|---|---|---|--|---|--|---|---|---|--|---|--|-------|----|
| 193 | Reference search mode | <table border="1"> <tr> <td>1</td> <td>Search left stop switch only.</td> </tr> <tr> <td>2</td> <td>Search right stop switch, then search left stop switch.</td> </tr> <tr> <td>3</td> <td>Search right stop switch, then search left stop switch from both sides.</td> </tr> <tr> <td>4</td> <td>Search left stop switch from both sides.</td> </tr> <tr> <td>5</td> <td>Search home switch in negative direction, reverse the direction when left stop switch reached.</td> </tr> <tr> <td>6</td> <td>Search home switch in positive direction, reverse the direction when right stop switch reached.</td> </tr> <tr> <td>7</td> <td>Search home switch in positive direction, ignore end switches.</td> </tr> <tr> <td>8</td> <td>Search home switch in negative direction, ignore end switches.</td> </tr> </table> <p>Additional functions:</p> <ul style="list-style-type: none"> • Add 128 to a mode value for inverting the home switch (can be used with mode 5...8). • Add 64 to a mode for driving the right instead of the left reference switch (can be used with mode 1...4). | 1 | Search left stop switch only. | 2 | Search right stop switch, then search left stop switch. | 3 | Search right stop switch, then search left stop switch from both sides. | 4 | Search left stop switch from both sides. | 5 | Search home switch in negative direction, reverse the direction when left stop switch reached. | 6 | Search home switch in positive direction, reverse the direction when right stop switch reached. | 7 | Search home switch in positive direction, ignore end switches. | 8 | Search home switch in negative direction, ignore end switches. | 1...8 | RW |
| 1 | Search left stop switch only. | | | | | | | | | | | | | | | | | | | |
| 2 | Search right stop switch, then search left stop switch. | | | | | | | | | | | | | | | | | | | |
| 3 | Search right stop switch, then search left stop switch from both sides. | | | | | | | | | | | | | | | | | | | |
| 4 | Search left stop switch from both sides. | | | | | | | | | | | | | | | | | | | |
| 5 | Search home switch in negative direction, reverse the direction when left stop switch reached. | | | | | | | | | | | | | | | | | | | |
| 6 | Search home switch in positive direction, reverse the direction when right stop switch reached. | | | | | | | | | | | | | | | | | | | |
| 7 | Search home switch in positive direction, ignore end switches. | | | | | | | | | | | | | | | | | | | |
| 8 | Search home switch in negative direction, ignore end switches. | | | | | | | | | | | | | | | | | | | |
| 194 | Reference search speed | This value specifies the speed for roughly searching the reference switch. | 0...16777215 [pps] | RW | | | | | | | | | | | | | | | | |
| 195 | Reference switch speed | This parameter specifies the speed for searching the switching point. It should be slower than parameter 194. | 0...16777215 [pps] | RW | | | | | | | | | | | | | | | | |
| 196 | End switch distance | This parameter provides the distance between the end switches after executing the RFS command (with reference search mode 2 or 3). | -2147483648...2147483647 [μsteps] | R | | | | | | | | | | | | | | | | |
| 197 | Last reference position | This parameter contains the last position value before the position counter is set to zero during reference search. | -2147483648...2147483647 [μsteps] | R | | | | | | | | | | | | | | | | |
| 200 | Boost current | Current used for acceleration and deceleration phases. If set to 0 the same current as set by axis parameter #6 will be used. Same scaling as with axis parameter #6. | 0...255 | RW | | | | | | | | | | | | | | | | |
| 202 | Motor full step resolution | Full step resolution of the motor (Default: 200). | 0...65535 [$\frac{fullsteps}{round}$] | RW | | | | | | | | | | | | | | | | |



| Number | Axis Parameter | Description | Range [Units] | Access | | | | | | | | |
|--------|--------------------------------------|--|--|------------------|---|-----------------|-------|-------------------------------------|---|--------------------------------------|-------|----|
| 204 | Freewheeling mode | Stand still option when the standby current (parameter 7) is set to zero. <table border="1" style="width: 100%; border-collapse: collapse;"> <tr> <td style="width: 20px; text-align: center;">0</td> <td>normal operation</td> </tr> <tr> <td style="text-align: center;">1</td> <td>freewheeling</td> </tr> <tr> <td style="text-align: center;">2</td> <td>coil shorted using low side drivers</td> </tr> <tr> <td style="text-align: center;">3</td> <td>coil shorted using high side drivers</td> </tr> </table> | 0 | normal operation | 1 | freewheeling | 2 | coil shorted using low side drivers | 3 | coil shorted using high side drivers | 0...3 | RW |
| 0 | normal operation | | | | | | | | | | | |
| 1 | freewheeling | | | | | | | | | | | |
| 2 | coil shorted using low side drivers | | | | | | | | | | | |
| 3 | coil shorted using high side drivers | | | | | | | | | | | |
| 206 | Actual load value | Readout of the actual load value used for stall detection (stallGuard2). | 0...1023 | R | | | | | | | | |
| 207 | Extended error flags | A combination of the following values: <table border="1" style="width: 100%; border-collapse: collapse;"> <tr> <td style="width: 20px; text-align: center;">1</td> <td>stallGuard error</td> </tr> <tr> <td style="text-align: center;">2</td> <td>deviation error</td> </tr> </table> These error flags are cleared automatically when this parameter has been read out or when a motion command has been executed. | 1 | stallGuard error | 2 | deviation error | 0...3 | R | | | | |
| 1 | stallGuard error | | | | | | | | | | | |
| 2 | deviation error | | | | | | | | | | | |
| 208 | TMC5130 error flags | A combination of the following values: | 0...255 | R | | | | | | | | |
| 209 | Encoder position | Encoder counter value. | -2147483648 ...2147483647 [μsteps] | RW | | | | | | | | |
| 210 | Encoder resolution | Encoder counts per round. | 0...65535 | RW | | | | | | | | |
| 212 | Maximum encoder deviation | When the actual position (parameter 1) and the encoder position (parameter 209) differ more than set here the motor will be stopped. This function is switched off when the maximum deviation is set to zero. | 0...2147483647 [encoder steps] | RW | | | | | | | | |
| 213 | Maximum velocity deviation | The motor will be stopped when the desired speed and the real speed differ more than this value. Setting the value to 0 turns off this function. | 0...2147483647 [encoder steps] | RW | | | | | | | | |
| 214 | Power down delay | Standstill period before the current will be ramped down to standby current. The standard value is 200 (which means 2000ms). | 0...65535 [10ms] | RW | | | | | | | | |

Table 14: All Axis Parameters of the TMCM-3314 Module



5 Global Parameters

The following sections describe all global parameters that can be used with the SGP, GGP, AGP, STGP and RSGP commands. Global parameters are grouped into banks:

- Bank 0: Global configuration of the module.
- Bank 1: Not used.
- Bank 2: TMCL user variables.
- Bank 3: TMCL interrupt configuration.

5.1 Bank 0

Parameters with numbers from 64 on configure stuff like the serial address of the module RS485 baud rate or the CAN bit rate. Change these parameters to meet your needs. The best and easiest way to do this is to use the appropriate functions of the TMCL-IDE. The parameters with numbers between 64 and 128 are automatically stored in the EEPROM.

Note

- An SGP command on such a parameter will always store it permanently and no extra STGP command is needed.
- Take care when changing these parameters, and use the appropriate functions of the TMCL-IDE to do it in an interactive way!

| Meaning of the Letters in the Access Column | | |
|---|------------|---------------------------------------|
| Access type | Command | Description |
| R | GGP | Parameter readable |
| W | SGP, AGP | Parameter writable |
| E | STGP, RSGP | Parameter can be stored in the EEPROM |
| A | SGP | Automatically stored in the EEPROM |

Table 15: Meaning of the Letters in the Access Column

| All Global Parameters of the TMCM-3314 Module in Bank 0 | | | | |
|---|------------------|-------------|---------------|--------|
| Number | Global Parameter | Description | Range [Units] | Access |



| Number | Global Parameter | Description | Range [Units] | Access | | |
|--------|---------------------|---|----------------------|----------------------|-------|-----|
| 65 | RS485 baud rate | 0 | 9600 | Default | 0...7 | RWA |
| | | 1 | 14400 | | | |
| | | 2 | 19200 | | | |
| | | 3 | 28800 | | | |
| | | 4 | 38400 | | | |
| | | 5 | 57600 | | | |
| | | 6 | 76800 | Not supported by PCs | | |
| | | 7 | 115200 | | | |
| | | 8 | 230400 | Not supported by PCs | | |
| | | 9 | 250000 | Not supported by PCs | | |
| | | 10 | 500000 | Not supported by PCs | | |
| 11 | 1000000 | Not supported by PCs | | | | |
| 66 | Serial address | Module (target) address for RS485. | 1...255 | RWA | | |
| 68 | Serial heartbeat | Serial heartbeat for RS485 interface and USB interface. If this time limit is up and no further command is received by the module the motor will be stopped. Setting this parameter to 0 (default) turns off the serial heartbeat function. | 0...65535 | RWA | | |
| 69 | CAN bit rate | 2 | 20kBit/s | 2...8 | RWA | |
| | | 3 | 50kBit/s | | | |
| | | 4 | 100kBit/s | | | |
| | | 5 | 125kBit/s | | | |
| | | 6 | 250kBit/s | | | |
| | | 7 | 500kBit/s | | | |
| | | 8 | 1000kBit/s (Default) | | | |
| 70 | CAN reply ID | The CAN ID for replies from the board (default: 2). | 0...2047 | RWA | | |
| 71 | CAN ID | The module (target) address for CAN (default: 1). | 0...2047 | RWA | | |
| 75 | Telegram pause time | Pause time before the reply via RS485 is sent. For use with older RS485 interfaces it is often necessary to set this parameter to 15 or more (e.g. RS485 adapters controlled by the RTS pin). For CAN interface this parameter has no effect! | 0...255 | RWA | | |
| 76 | Serial host address | Host address used in the reply telegrams sent back via RS485. | 0...255 | RWA | | |



| Number | Global Parameter | Description | Range [Units] | Access |
|--------|-------------------------------|---|----------------|--------|
| 77 | Auto start mode | 0 - Do not start TMCL application after power up (default). 1 - Start TMCL application automatically after power up. | 0/1 | RWA |
| 81 | TMCL code protection | Protect a TMCL program against disassembling or overwriting. 0 - no protection 1 - protection against disassembling 2 - protection against overwriting 3 - protection against disassembling and overwriting When switching off the protection against disassembling (changing this parameter from 1 or 3 to 0 or 2, the program will be erased first! | 0/1/2/3 | RWA |
| 82 | CAN heartbeat | Heartbeat for CAN interface. If this time limit is up and no further command is received the motor will be stopped. Setting this parameter to 0 (default) turns off the CAN heartbeat function. | 0...65535 | RWA |
| 83 | CAN secondary address | Second CAN ID for the module. Switched off when set to zero. | 0...2047 | RWA |
| 84 | Coordinate storage | 0 - coordinates are stored in RAM only (but can be copied explicitly between RAM and EEPROM) 1 - coordinates are always also stored in the EEPROM | 0/1 | RWA |
| 85 | Do not restore user variables | Determines if TMCL user variables are to be restored from the EEPROM automatically on startup. 0 - user variables are restored (default) 1 - user variables are not restored | 0/1 | RWA |
| 87 | Serial secondary address | Second module (target) address for RS485. Setting this parameter to 0 switches off the secondary address. | 0...255 | RWA |
| 128 | TMCL application status | 0 - stop 1 - run 2 - step 3 - reset | 0...3 | R |
| 129 | Download mode | 0 - normal mode 1 - download mode | 0/1 | R |
| 130 | TMCL program counter | Contains the address of the currently executed TMCL command. | | R |
| 132 | TMCL tick timer | A 32 bit counter that gets incremented by one every millisecond. It can also be reset to any start value. | 0...2147483647 | RW |



| Number | Global Parameter | Description | Range [Units] | Access |
|--------|------------------|---|----------------|--------|
| 133 | Random number | Returns a random number. The seed value can be set by writing to this parameter. | 0...2147483647 | RW |
| 255 | Suppress reply | The reply in direct mode will be suppressed when this parameter is set to 1. This parameter cannot be stored to EEPROM and will be reset to 0 on startup. The reply will not be suppressed for GAP, GGP and GIO commands. | 0/1 | RW |

Table 16: All Global Parameters of the TMCM-3314 Module in Bank 0

5.2 Bank 1

The global parameter bank 1 is normally not available. It may be used for customer specific extensions of the firmware. Together with user definable commands these variables form the interface between extensions of the firmware (written by Trinamic in C) and TMCL applications.

5.3 Bank 2

Bank 2 contains general purpose 32 bit variables for use in TMCL applications. They are located in RAM and the first 56 variables can also be stored permanently in the EEPROM. After booting, their values are automatically restored to the RAM. Up to 256 user variables are available.

| Meaning of the letters in the Access column | | |
|---|------------|---------------------------------------|
| Access type | Command | Description |
| R | GGP | Parameter readable |
| W | SGP, AGP | Parameter writable |
| E | STGP, RSGP | Parameter can be stored in the EEPROM |

Table 17: Meaning of the Letters in the Access Column

| User Variables in Bank 2 | | | | |
|--------------------------|---------------------------|---------------------|----------------------------|--------|
| Number | Global Parameter | Description | Range [Units] | Access |
| 0...55 | user variables #0...#55 | TMCL user variables | -2147483648 ... 2147483647 | RWE |
| 56...255 | user variables #56...#255 | TMCL user variables | -2147483648 ... 2147483647 | RWE |

Table 18: User Variables in Bank 2

5.4 Bank 3

Bank 3 contains interrupt parameters. Some interrupts need configuration (e.g. the timer interval of a timer interrupt). This can be done using the SGP commands with parameter bank 3 (SGP <type>, 3,



<value>). **The priority of an interrupt depends on its number. Interrupts with a lower number have a higher priority.**

Table 20 shows all interrupt parameters that can be set.

| Meaning of the Letters in the Access Column | | |
|---|------------|---------------------------------------|
| Access type | Command | Description |
| R | GGP | Parameter readable |
| W | SGP, AGP | Parameter writable |
| E | STGP, RSGP | Parameter can be stored in the EEPROM |

Table 19: Meaning of the Letters in the Access Column

| Interrupt Parameters in Bank 3 | | | | |
|--------------------------------|---------------------------------|---------------------------------------|----------------------|--------|
| Number | Global Parameter | Description | Range [Units] | Access |
| 0 | Timer 0 period | Time between two interrupts | 0 .. 4294967295 [ms] | RW |
| 1 | Timer 1 period (ms) | Time between two interrupts | 0 .. 4294967295 [ms] | RW |
| 2 | Timer 2 period (ms) | Time between two interrupts | 0 .. 4294967295 [ms] | RW |
| 27 | Stop left 0 trigger transition | 0=off, 1=low-high, 2=high-low, 3=both | 0 .. 3 | RW |
| 28 | Stop right 0 trigger transition | 0=off, 1=low-high, 2=high-low, 3=both | 0 .. 3 | RW |
| 29 | Stop left 1 trigger transition | 0=off, 1=low-high, 2=high-low, 3=both | 0 .. 3 | RW |
| 30 | Stop right 1 trigger transition | 0=off, 1=low-high, 2=high-low, 3=both | 0 .. 3 | RW |
| 31 | Stop left 2 trigger transition | 0=off, 1=low-high, 2=high-low, 3=both | 0 .. 3 | RW |
| 32 | Stop right 2 trigger transition | 0=off, 1=low-high, 2=high-low, 3=both | 0 .. 3 | RW |
| 39 | Input 0 trigger transition | 0=off, 1=low-high, 2=high-low, 3=both | 0 .. 3 | RW |
| 40 | Input 1 trigger transition | 0=off, 1=low-high, 2=high-low, 3=both | 0 .. 3 | RW |
| 41 | Input 2 trigger transition | 0=off, 1=low-high, 2=high-low, 3=both | 0 .. 3 | RW |
| 42 | Input 3 trigger transition | 0=off, 1=low-high, 2=high-low, 3=both | 0 .. 3 | RW |

Table 20: Interrupt Parameters in Bank 3



6 Hints and Tips

This chapter gives some hints and tips on using the functionality of TMCL, for example how to use and parameterize the built-in reference search algorithm or using an incremental encoder. You will also find basic information about stallGuard2™ and coolStep™ in this chapter.

6.1 Reference Search

The built-in reference search features switching point calibration and support for a home switch and/or one or two end switches. The internal operation is based on a state machine that can be started, stopped and monitored (instruction RFS, opcode 13). The settings of the automatic stop functions corresponding to the end switches (axis parameters 12 and 13) do not influence the reference search.

Notes:

- Until the reference switch is found for the first time, the searching speed set by axis parameter 194 is used.
- After hitting the reference switch, the motor slowly moves until the switch is released. Finally the switch is re-entered in the other direction, setting the reference point to the center of the two switching points. The speed used for this calibration is defined by axis parameter 195.

Axis parameter 193 defines the reference search mode to be used. Choose one of the reference search modes shown in table 21 and in the following subsections:

| Reference Search Modes | |
|------------------------|--|
| Value | Description |
| 1 | search left stop switch only |
| 2 | search right stop switch, then search left stop switch |
| 3 | search right stop switch, then search left stop switch from both sides |
| 4 | search left stop switch from both sides |
| 5 | search home switch in negative direction, reverse the direction when left stop switch reached |
| 6 | search home switch in positive direction, reverse the direction when right stop switch reached |
| 7 | search home switch in positive direction, ignore end switches |
| 8 | search home switch in negative direction, ignore end switches |

Table 21: Reference Search Modes

The drawings in the following subsections show how each reference search mode works. A linear stage with two end points and a moving slider is used as example.



6.1.1 Mode 1

Reference search mode 1 only searches the left end switch. Select this mode by setting axis parameter #193 to 1. Figure 3 illustrates this.

Add 64 to the mode number (i.e. set axis parameter #193 to 65) to search the right end switch instead of the left end switch.

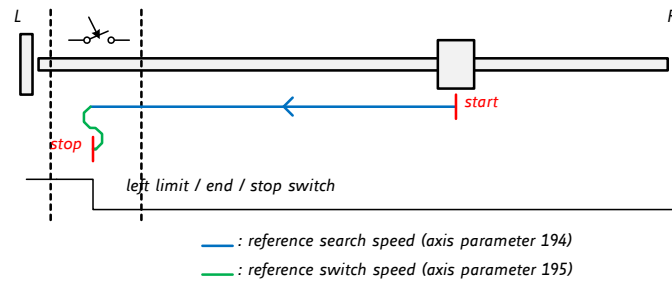


Figure 3: Reference search Mode 1

6.1.2 Mode 2

Reference search mode 2 first searches the right end switch and then the left end switch. The left end switch is then used as the zero point. Figure 4 illustrates this. Select this mode by setting axis parameter #193 to 2. After the reference search has finished, axis parameter #196 contains the distance between the two reference switches in microsteps.

Add 64 to the mode number (i.e. set axis parameter #193 to 66) to search the left end switch first and then use the right end switch as the zero point.

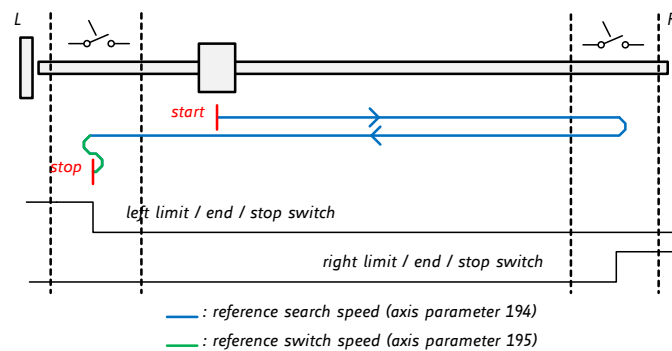


Figure 4: Reference search Mode 2

6.1.3 Mode 3

Reference search mode 3 first searches the right end switch and then the left end switch. The left end switch is then searched from both sides, to find the middle of the left end switch. This is then used as the zero point. Figure 5 illustrates this. Select this mode by setting axis parameter #193 to 3. After the reference search has finished, axis parameter #196 contains the distance between the right end switch and the middle of the left end switch in microsteps.

Add 64 to the mode number (i.e. set axis parameter #193 to 67) to search the left end switch first and then use the middle of the right end switch as the zero point.



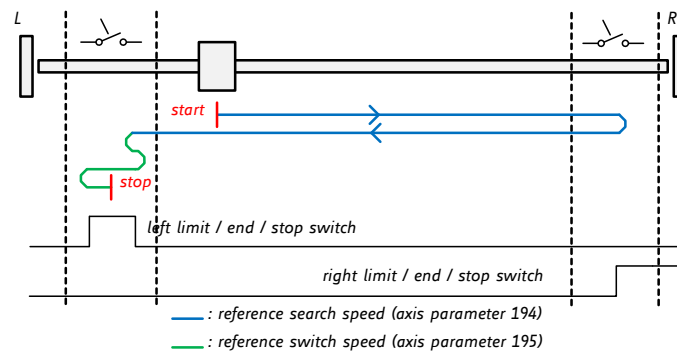


Figure 5: Reference search Mode 3

6.1.4 Mode 4

Reference search mode 4 searches the left end switch only, but from both sides so that the middle of the switch will be found and used as the zero point. This is shown in figure 6.

Add 64 to the mode number (i.e. set axis parameter #193 to 68) to search the right end switch instead.

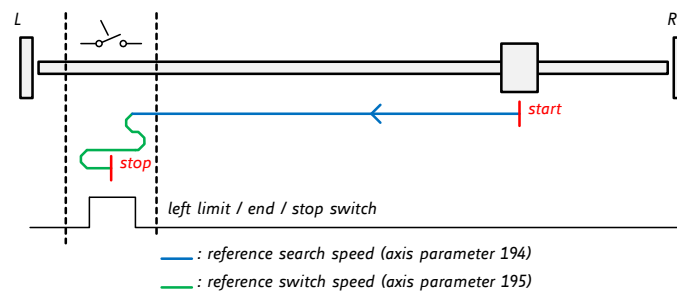


Figure 6: Reference search Mode 4

6.1.5 Mode 5

Reference search mode 5 searches the home switch in negative direction. The search direction will be reversed if the left limit switch is reached. This is shown in figure 7.

Add 128 to the mode number (i.e. set axis parameter #193 to 129) to reverse the polarity of the home switch input.



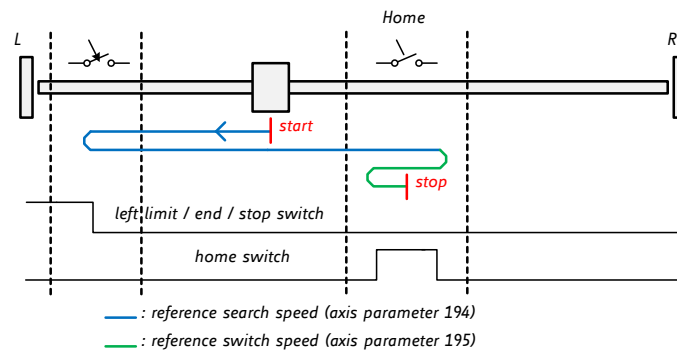


Figure 7: Reference search Mode 5

6.1.6 Mode 6

Reference search mode 6 searches the home switch in positive direction. The search direction will be reversed if the left limit switch is reached. This is shown in figure 8. Add 128 to the mode number (i.e. set axis parameter #193 to 130) to reverse the polarity of the home switch input.

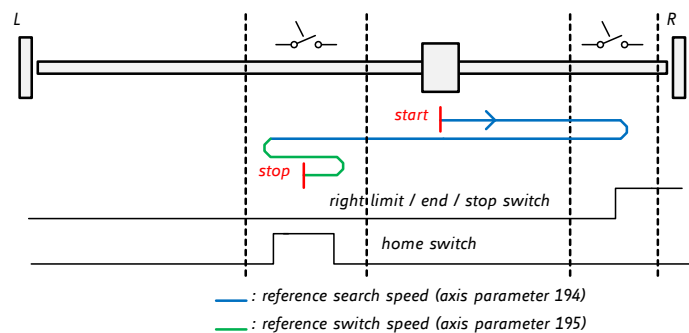


Figure 8: Reference search Mode 6

6.1.7 Mode 7

Reference search mode 7 searches the home switch in positive direction, ignoring the limit switch inputs. It is recommended mainly for use with a circular axis. The exact middle of the switch will be found and used as the zero point. Figure 9 illustrates this. Add 128 to the mode number (i.e. set axis parameter #193 to 131) to reverse the polarity of the home switch input.



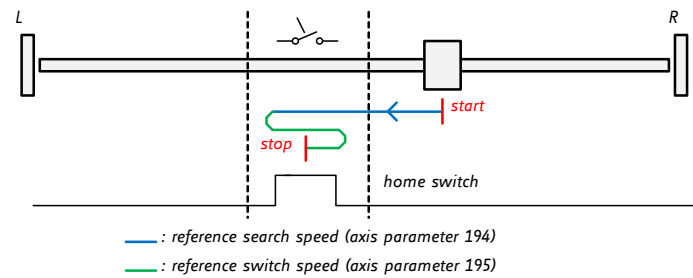


Figure 9: Reference search Mode 7

6.1.8 Mode 8

Reference search mode 8 searches the home switch in positive direction, ignoring the limit switch inputs. It is recommended mainly for use with a circular axis. The exact middle of the switch will be found and used as the zero point. Figure 10 illustrates this.

Add 128 to the mode number (i.e. set axis parameter #193 to 132) to reverse the polarity of the home switch input.

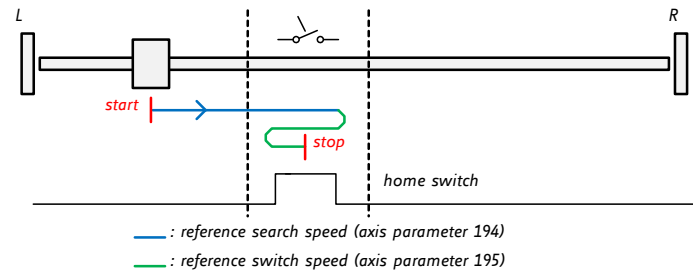


Figure 10: Reference search Mode 8



6.2 stallGuard2

The module is equipped with motor driver chips that feature load measurement. This load measurement can be used for stall detection. stallGuard2 delivers a sensorless load measurement of the motor as well as a stall detection signal. The measured value changes linear with the load on the motor in a wide range of load, velocity and current settings. At maximum motor load the stallGuard value goes to zero. This corresponds to a load angle of 90° between the magnetic field of the stator and magnets in the rotor. This also is the most energy efficient point of operation for the motor.

Stall detection means that the motor will be stopped automatically when the load gets too high. This function is configured mainly using axis parameters #174 and #181.

Stall detection can for example be used for finding the reference point without the need for reference switches. A short routine written in TMCL is needed to use stallGuard for reference searching.



6.3 coolStep

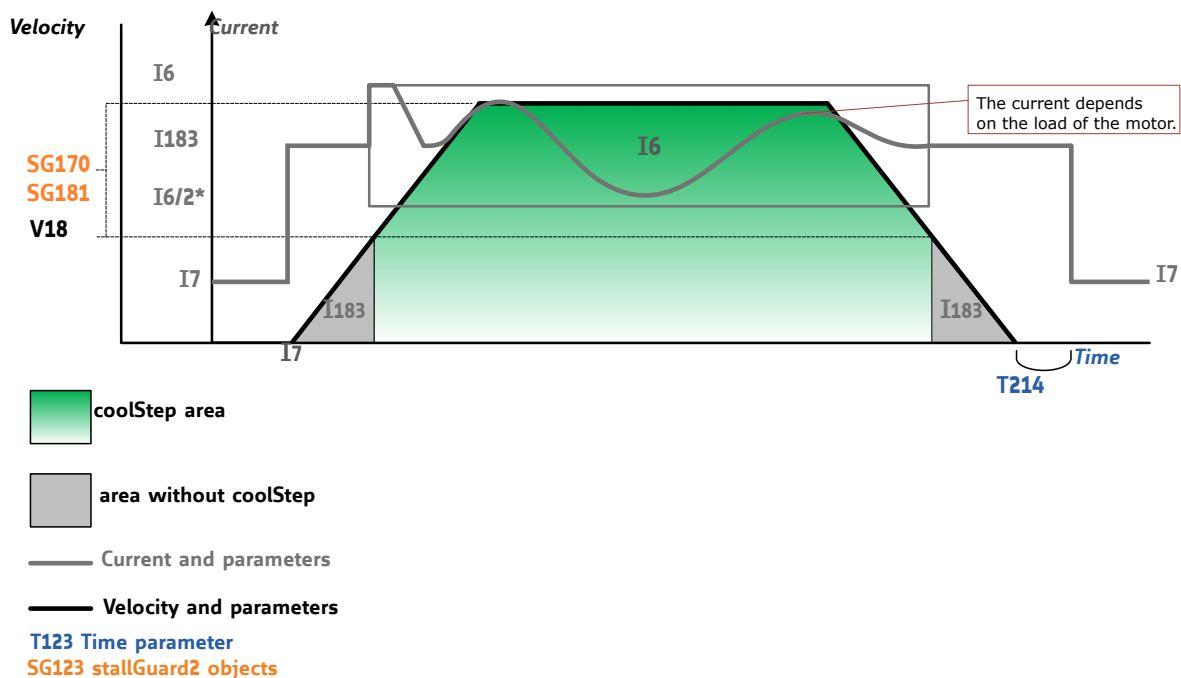
This section gives an overview of the coolStep related parameters. Please bear in mind that the figure only shows one example for a drive. There are parameters which concern the configuration of the current. Other parameters are there for velocity regulation and for time adjustment.

Figure 11 shows all the adjustment points for coolStep. It is necessary to identify and configure the thresholds for current (I6, I7 and I183) and velocity (V182). Furthermore the stallGuard2 feature has to be adjusted (SG170). It can also be enabled if needed (SG181).

The reduction or increasing of the current in the coolStep area (depending on the load) has to be configured using parameters I169 and I171.

In this chapter only basic axis parameters are mentioned which concern coolStep and stallGuard2. The complete list of axis parameters in chapter 4.1 contains further parameters which offer more configuration options.

coolStep™ adjustment points and thresholds



* The lower threshold of the coolStep current can be adjusted up to I6/4. Refer to parameter 168.

Figure 11: coolStep Adjustment Points and Thresholds

| coolStep Adjustment Points and Thresholds | | |
|---|----------------|-------------|
| Number | Axis Parameter | Description |
| | | |



| Number | Axis Parameter | Description |
|--------|-------------------------------|---|
| I6 | Absolute maximum current | The maximum value is 255. This value means 100% of the maximum current of the module. The current adjustment is within the range 0...255 and can be adjusted in 32 steps (0...255 divided by eight; e.g. step 0 = 0...7, step 1 = 8...15 and so on). The most important motor setting, since too high values might cause motor damage! |
| I7 | Standby current | The current limit two seconds after the motor has stopped. |
| I168 | smartEnergy current minimum | Sets the lower motor current limit for coolStep operation by scaling the CS (Current Scale, see axis parameter 6) value. Minimum motor current: 0 - 1/2 of CS 1 - 1/4 of CS |
| I169 | smartEnergy current down step | Sets the number of stallGuard2 readings above the upper threshold necessary for each current decrement of the motor current. Number of stallGuard2 measurements per decrement: Scaling: 0...3: 32, 8, 2, 1 0: slow decrement 3: fast decrement |
| I171 | smartEnergy current up step | Sets the current increment step. The current becomes incremented for each measured stallGuard2 value below the lower threshold (see smartEnergy hysteresis start). current increment step size: Scaling: 0...3: 1, 2, 4, 8 0: slow increment 3: fast increment |
| SG170 | smartEnergy hysteresis | Sets the distance between the lower and the upper threshold for stallGuard2 reading. Above the upper threshold the motor current becomes decreased. |
| SG181 | Stop on stall | Below this speed motor will not be stopped. Above this speed motor will stop in case stallGuard2 load value reaches zero. |
| V182 | smartEnergy threshold speed | Above this speed coolStep becomes enabled. |
| T214 | Power down delay | Standstill period before the current is changed down to standby current. The standard value is 200 (which means 2000msec). |

Table 22: coolStep Adjustment Points and Thresholds



6.4 Velocity and Acceleration Calculation

When the unit mode (axis parameter #255) is set to 1 (which is also the default value), all velocity parameters on the TMC3314 are given in microsteps per second (also called pulse per second or pps). Acceleration and deceleration units are given in pps².

When axis parameter #255 is set to 0 the internal units of the ramp generators are directly used. But this is only necessary in very special cases. Normally one should leave axis parameter #255 at 1 and use the pps units.

In order to convert between pps units and units like rounds per second (rps) or rounds per minute (rpm), one has to know the fullstep resolution of the motor (full steps per round) and the microstep resolution setting of the module (axis parameter #140, default setting is 256 microsteps per full step).

So to convert from pps to rps, use the following formula:

$$v_{rps} = \frac{v_{pps}}{r_{fullstep} \cdot r_{microstep}}$$

To convert from rps to rpm, use:

$$v_{rpm} = v_{rps} \cdot 60$$

With the following symbols:

- v_{rps} : velocity in rounds per second
- v_{rpm} : velocity in rounds per minute
- v_{pps} : velocity in pulses (microsteps) per second
- $r_{fullstep}$: fullstep resolution of the motor (with most motors 200 (1.8°))
- $r_{microstep}$: microstep setting of the module (default 256)

So, with a 200 fullsteps motor and a microstep setting of 256 (axis parameter #140 = 8), a velocity of 51200pps will result in 1rps (60rpm).



7 TMCL Programming Techniques and Structure

7.1 Initialization

The first task in a TMCL program (like in other programs also) is to initialize all parameters where different values than the default values are necessary. For this purpose, SAP and SGP commands are used.

7.2 Main Loop

Embedded systems normally use a main loop that runs infinitely. This is also the case in a TMCL application that is running stand alone. Normally the auto start mode of the module should be turned on. After power up, the module then starts the TMCL program, which first does all necessary initializations and then enters the main loop, which does all necessary tasks end never ends (only when the module is powered off or reset).

There are exceptions to this, e.g. when TMCL routines are called from a host in direct mode.

So most (but not all) stand alone TMCL programs look like this:

```

1 //Initialization
2 SAP 4, 0, 50000 //define maximum positioning speed
3 SAP 5, 0, 10000 //define maximum acceleration
4
5 MainLoop:
6 //do something, in this example just running between two positions
7 MVP ABS, 0, 5000
8 WAIT POS, 0, 0
9 MVP ABS, 0, 0
10 WAIT POS, 0, 0
11 JA MainLoop //end of the main loop => run infinitely

```

7.3 Using Symbolic Constants

To make your program better readable and understandable, symbolic constants should be taken for all important numerical values that are used in the program. The TMCL-IDE provides an include file with symbolic names for all important axis parameters and global parameters. Please consider the following example:

```

1 //Define some constants
2 #include TMCLParam.tmc
3 MaxSpeed = 50000
4 MaxAcc = 10000
5 Position0 = 0
6 Position1 = 500000
7
8 //Initialization
9 SAP APMaxPositioningSpeed, Motor0, MaxSpeed
10 SAP APMaxAcceleration, Motor0, MaxAcc
11
12 MainLoop:
13 MVP ABS, Motor0, Position1
14 WAIT POS, Motor0, 0
15 MVP ABS, Motor0, Position0

```



```

17 WAIT POS, Motor0, 0
    JA MainLoop

```

Have a look at the file `TMCLParam.tmc` provided with the TMCL-IDE. It contains symbolic constants that define all important parameter numbers.

Using constants for other values makes it easier to change them when they are used more than once in a program. You can change the definition of the constant and do not have to change all occurrences of it in your program.

7.4 Using Variables

The user variables can be used if variables are needed in your program. They can store temporary values. The commands SGP, GGP and AGP as well as STGP and RSGP are used to work with user variables:

- SGP is used to set a variable to a constant value (e.g. during initialization phase).
- GGP is used to read the contents of a user variable and to copy it to the accumulator register for further usage.
- AGP can be used to copy the contents of the accumulator register to a user variable, e.g. to store the result of a calculation.
- The STGP command stores the contents of a user variable in the EEPROM.
- The RSGP command copies the value stored in the EEPROM back to the user variable.
- Global parameter 85 controls if user variables will be restored from the EEPROM automatically on startup (default setting) or not (user variables will then be initialized with 0 instead).

Please see the following example:

```

1 MyVariable = 42
  //Use a symbolic name for the user variable
3 //(This makes the program better readable and understandable.)

5 SGP MyVariable, 2, 1234 //Initialize the variable with the value 1234
  ...
7 ...
  GGP MyVariable, 2 //Copy contents of variable to accumulator register
9 CALC MUL, 2 //Multiply accumulator register with two
  AAP MyVariable, 2 //Store contents of accumulator register to variable
11 ...
  ...

```

Furthermore, these variables can provide a powerful way of communication between a TMCL program running on a module and a host. The host can change a variable by issuing a direct mode SGP command (remember that while a TMCL program is running direct mode commands can still be executed, without interfering with the running program). If the TMCL program polls this variable regularly it can react on such changes of its contents.

The host can also poll a variable using GGP in direct mode and see if it has been changed by the TMCL program.



7.5 Using Subroutines

The CSUB and RSUB commands provide a mechanism for using subroutines. The CSUB command branches to the given label. When an RSUB command is executed the control goes back to the command that follows the CSUB command that called the subroutine.

This mechanism can also be nested. From a subroutine called by a CSUB command other subroutines can be called. In the current version of TMCL eight levels of nested subroutine calls are allowed.

7.6 Combining Direct Mode and Standalone Mode

Direct mode and standalone mode can also be combined. When a TMCL program is being executed in standalone mode, direct mode commands are also processed (and they do not disturb the flow of the program running in standalone mode). So, it is also possible to query e.g. the actual position of the motor in direct mode while a TMCL program is running.

Communication between a program running in standalone mode and a host can be done using the TMCL user variables. The host can then change the value of a user variable (using a direct mode SGP command) which is regularly polled by the TMCL program (e.g. in its main loop) and so the TMCL program can react on such changes. Vice versa, a TMCL program can change a user variable that is polled by the host (using a direct mode GGP command).

A TMCL program can be started by the host using the run command in direct mode. This way, also a set of TMCL routines can be defined that are called by a host. In this case it is recommended to place JA commands at the beginning of the TMCL program that jump to the specific routines. This assures that the entry addresses of the routines will not change even when the TMCL routines are changed (so when changing the TMCL routines the host program does not have to be changed).

Example:

```
//Jump commands to the TMCL routines
2 Func1:  JA Func1Start
  Func2:  JA Func2Start
4 Func3:  JA Func3Start

6 Func1Start:
  MVP ABS, 0, 1000
8  WAIT POS, 0, 0
  MVP ABS, 0, 0
10 WAIT POS, 0, 0
  STOP

12 Func2Start:
14  ROL 0, 500
  WAIT TICKS, 0, 100
16  MST 0
  STOP

18 Func3Start:
20  ROR 0, 1000
  WAIT TICKS, 0, 700
22  MST 0
  STOP
```



This example provides three very simple TMCL routines. They can be called from a host by issuing a run command with address 0 to call the first function, or a run command with address 1 to call the second function, or a run command with address 2 to call the third function. You can see the addresses of the TMCL labels (that are needed for the run commands) by using the "Generate symbol file function" of the TMCL-IDE.



8 Figures Index

| | | | | | |
|---|--|----|----|---|----|
| 1 | stallGuard2 Load Measurement as a Function of Load | 6 | 7 | Reference search Mode 5 | 89 |
| 2 | Energy Efficiency Example with coolStep | 6 | 8 | Reference search Mode 6 | 89 |
| 3 | Reference search Mode 1 | 87 | 9 | Reference search Mode 7 | 90 |
| 4 | Reference search Mode 2 | 87 | 10 | Reference search Mode 8 | 90 |
| 5 | Reference search Mode 3 | 88 | 11 | coolStep Adjustment Points and Thresholds | 92 |
| 6 | Reference search Mode 4 | 88 | | | |



9 Tables Index

| | | | | | |
|----|---|----|----|---|-----|
| 1 | Most important Axis Parameters . . . | 8 | 15 | Meaning of the Letters in the Access Column | 81 |
| 2 | TMCL Command Format | 11 | 16 | All Global Parameters of the TMCM-3314 Module in Bank 0 | 84 |
| 3 | TMCL Reply Format | 12 | 17 | Meaning of the Letters in the Access Column | 84 |
| 4 | TMCL Status Codes | 12 | 18 | User Variables in Bank 2 | 84 |
| 5 | Overview of all TMCL Commands . . . | 15 | 19 | Meaning of the Letters in the Access Column | 85 |
| 6 | Motion Commands | 15 | 20 | Interrupt Parameters in Bank 3 | 85 |
| 7 | Parameter Commands | 16 | 21 | Reference Search Modes | 86 |
| 8 | Branch Commands | 16 | 22 | coolStep Adjustment Points and Thresholds | 93 |
| 9 | I/O Port Commands | 17 | 23 | Firmware Revision | 103 |
| 10 | Calculation Commands | 17 | 24 | Document Revision | 103 |
| 11 | Interrupt Processing Commands . . . | 18 | | | |
| 12 | Interrupt Vectors | 19 | | | |
| 13 | TMCL Control Commands | 71 | | | |
| 14 | All Axis Parameters of the TMCM-3314 Module | 80 | | | |



10 Supplemental Directives

10.1 Producer Information

10.2 Copyright

TRINAMIC owns the content of this user manual in its entirety, including but not limited to pictures, logos, trademarks, and resources. © Copyright 2016 TRINAMIC. All rights reserved. Electronically published by TRINAMIC, Germany.

Redistributions of source or derived format (for example, Portable Document Format or Hypertext Markup Language) must retain the above copyright notice, and the complete Datasheet User Manual documentation of this product including associated Application Notes; and a reference to other available product-related documentation.

10.3 Trademark Designations and Symbols

Trademark designations and symbols used in this documentation indicate that a product or feature is owned and registered as trademark and/or patent either by TRINAMIC or by other manufacturers, whose products are used or referred to in combination with TRINAMIC's products and TRINAMIC's product documentation.

This TMCL™ Firmware Manual is a non-commercial publication that seeks to provide concise scientific and technical user information to the target user. Thus, trademark designations and symbols are only entered in the Short Spec of this document that introduces the product at a quick glance. The trademark designation /symbol is also entered when the product or feature name occurs for the first time in the document. All trademarks and brand names used are property of their respective owners.

10.4 Target User

The documentation provided here, is for programmers and engineers only, who are equipped with the necessary skills and have been trained to work with this type of product.

The Target User knows how to responsibly make use of this product without causing harm to himself or others, and without causing damage to systems or devices, in which the user incorporates the product.

10.5 Disclaimer: Life Support Systems

TRINAMIC Motion Control GmbH & Co. KG does not authorize or warrant any of its products for use in life support systems, without the specific written consent of TRINAMIC Motion Control GmbH & Co. KG.

Life support systems are equipment intended to support or sustain life, and whose failure to perform, when properly used in accordance with instructions provided, can be reasonably expected to result in personal injury or death.

Information given in this document is believed to be accurate and reliable. However, no responsibility is assumed for the consequences of its use nor for any infringement of patents or other rights of third parties which may result from its use. Specifications are subject to change without notice.

10.6 Disclaimer: Intended Use

The data specified in this user manual is intended solely for the purpose of product description. No representations or warranties, either express or implied, of merchantability, fitness for a particular purpose



or of any other nature are made hereunder with respect to information/specification or the products to which information refers and no guarantee with respect to compliance to the intended use is given.

In particular, this also applies to the stated possible applications or areas of applications of the product. TRINAMIC products are not designed for and must not be used in connection with any applications where the failure of such products would reasonably be expected to result in significant personal injury or death (safety-Critical Applications) without TRINAMIC's specific written consent.

TRINAMIC products are not designed nor intended for use in military or aerospace applications or environments or in automotive applications unless specifically designated for such use by TRINAMIC. TRINAMIC conveys no patent, copyright, mask work right or other trade mark right to this product. TRINAMIC assumes no liability for any patent and/or other trade mark rights of a third party resulting from processing or handling of the product and/or any other use of the product.

10.7 Collateral Documents & Tools

This product documentation is related and/or associated with additional tool kits, firmware and other items, as provided on the product page at: www.trinamic.com.



11 Revision History

11.1 Firmware Revision

| Version | Date | Description |
|---------|-------------|----------------|
| V1.04 | 2016-JUL-20 | First release. |

Table 23: Firmware Revision

11.2 Document Revision

| Version | Date | Description |
|---------|-------------|----------------|
| V1.01 | 2016-JUL-20 | First release. |

Table 24: Document Revision

