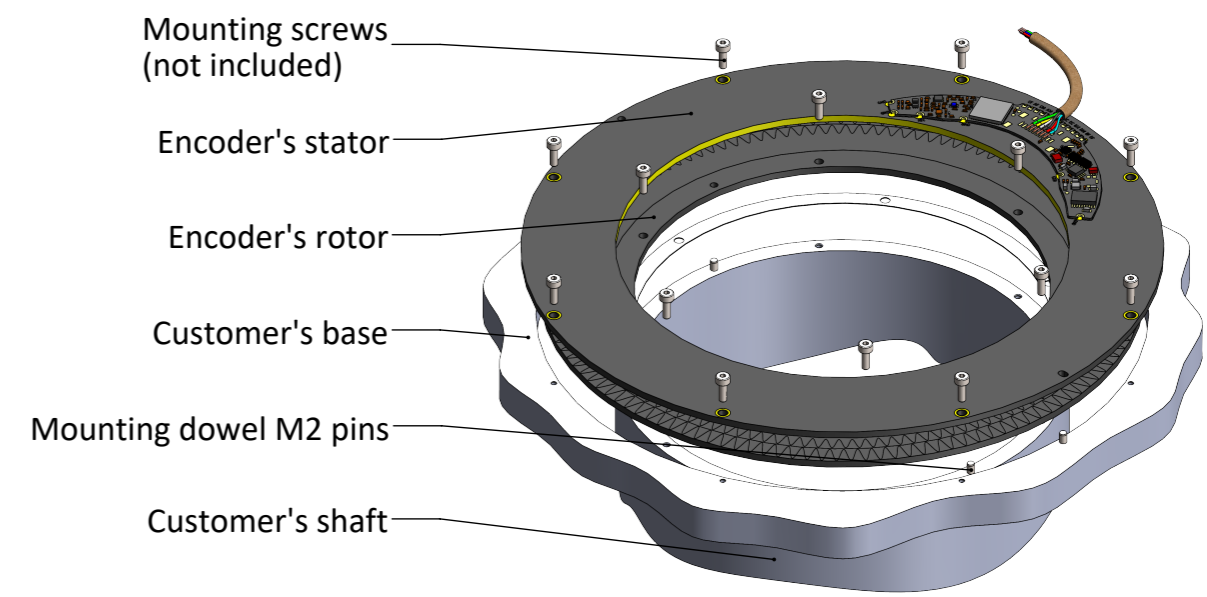
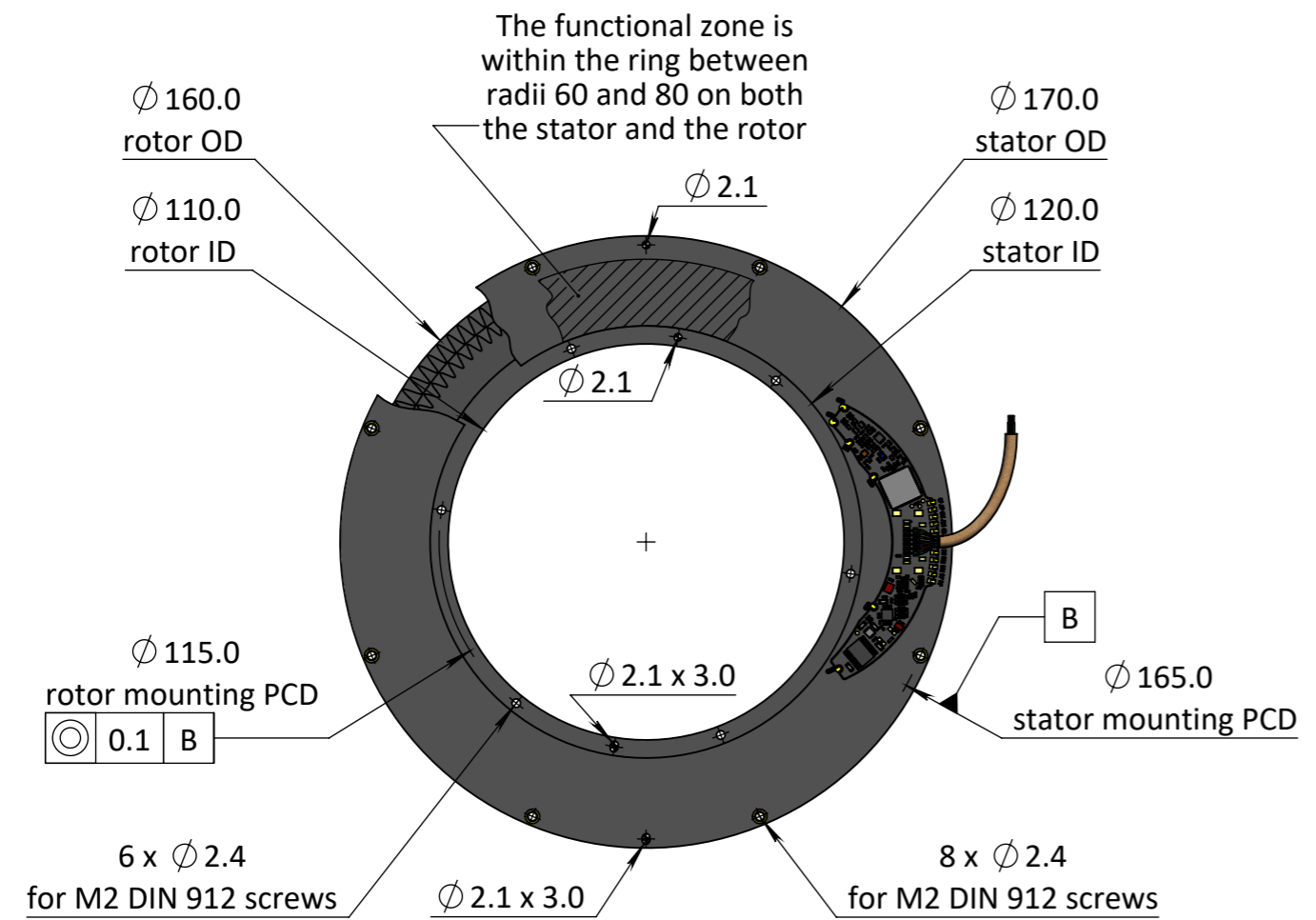
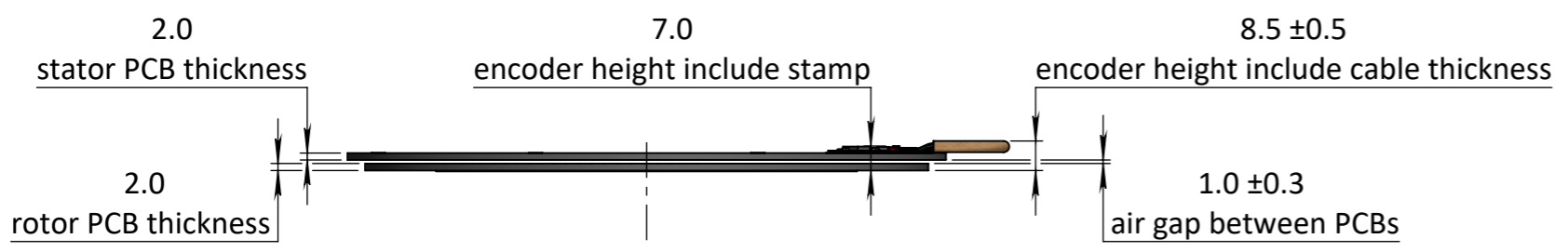


Encoder general view



Customer interface, example, exploded view



The information contained in this drawing is the sole property of Netzer Precision Position Sensors A.C.S. Ltd. Any reproduction in part or whole without the written permission of Netzer Precision Position Sensors A.C.S. Ltd. is prohibited. The drawing is confidential, and is the property of Netzer Precision Ltd. It must not be disclosed to a third party without written consent of Netzer Precision Ltd.

	NAME	SIGNATURE	DATE
DRAWN	Michael Agam	MA	1-Dec-2022
CHK'D			
APPV'D			

UNLESS OTHERWISE SPECIFIED:
 DIMENSIONS ARE IN: mm SURFACE FINISH: N6
 0.5 - 4.9: ±0.05 mm 5 - 30: ±0.1 mm
 31 - 120: ±0.15 mm 121 - 400: ±0.2 mm
 401 - 1000: ±0.3 mm 1001 - 2000: ±0.5 mm
 Between holes: ±0.05 mm Angles: ±0.5°
 On all edges make chamfer 0.1 mm x 45°

TITLE: VLS-170 ICD	Coating:	SCALE: 1:2
MATERIAL:	Revision:	A3
PROJECT:		SHEET 1 OF 1
CAT NO.: VLS-170 ICD		