

WPEQ-256ACNRBI

802.11ac/abgn Dual-Band

2T2R Industrial Grade Mini PCIe Module



Next-Generation High Throughput Enterprise Networking Solution

The WPEQ-256ACNRBI is powered by Qualcomm Atheros QCA9892 radio chip and features 2x2 11ac technology for higher throughput performance, reliability and range. It is designed to meet the demanding performance requirements of critical embedded applications.

The WPEQ-256ACNRBI dramatically increase the overall throughput up to 867Mbps. Leveraging the revolutionary 11ac technology, WPEQ-256ACNRBI sets a new benchmark in throughput and range, making it ideal for consumer and enterprise applications, such as point of sale, gaming machine and medical equipment. The WPEQ-256ACNRBI is backward compatible with 802.11ac/a/b/g/n and fully supports industry standards compliant security.

Embedded Application :

Applications include medical devices, security systems, industrial, Point of Sale, digital signs, industrial tablet PC's, handheld devices, thin client devices, Gaming machine, medical equipment, Robotic ,warehouse,etc.

Key Feature :

- Qualcomm Atheros QCA9892
- Antenna: 2xIPEX for 2T2R
- Data Rates: allows link speeds up to 867Mbps.
- Support Linux driver
- 802.11ac compliant & backward compatible with 802.11ac/a/b/g/n

Specification

Standards	IEEE 802.11ac/a/b/g/n (2T2R)
Chipset	Qualcomm Atheros QCA9892-BR4B
Data Rate	802.11b: 11Mbps / 802.11a/g: 54Mbps / 802.11n: 300Mbps / 802.11ac: 867Mbps
Operating Frequency	IEEE 802.11 ac/a/b/g/n ISM Band, 2.412GHz~2.472GHz, 5.150GHz~5.825GHz *Subject to local regulations
Interface	PCI Express
Form Factor	Mini PCIe
Antenna	2x IPEX connector
Modulation	802.11b: DSSS (DBPSK, DQPSK, CCK) 802.11a/g: OFDM (BPSK, QPSK, 16-QAM, 64-QAM) 802.11n: OFDM (BPSK, QPSK, 16-QAM, 64-QAM) 802.11ac: OFDM (BPSK, QPSK, 16-QAM, 64-QAM, 256-QAM)
Power Consumption	TX: 1050mA (Max)
Operating Voltage	DC 3.3V
Operating Temperature Range	-40°C~+85°C
Storage Temperature Range	-40°C~+85°C
Humidity (Non-Condensing)	10%~85% (Operating) 5%~90% (Storing)
Dimension (in mm)	50.8mm * 29.85mm * 4.1mm
Weight (g)	≤ 8g
Driver Support	Linux
Security	WEP / WPA / WPA2,802.1X

OUTPUT POWER & SENSITIVITY
802.11b

Data Rate	Tx \pm 2dBm	Rx Sensitivity
11Mbps	20dBm	\leq -87dBm

802.11g

Data Rate	Tx \pm 2dBm	Rx Sensitivity
54Mbps	16dBm	\leq -74dBm

802.11n / 2.4GHz

	Data Rate	Tx \pm 2dBm (1TX)	Tx \pm 2dBm (2TX)	Rx Sensitivity
HT20	MCS7	15dBm	18dBm	\leq -70dBm
	MCS7	15dBm	18dBm	\leq -68dBm

802.11a

Data Rate	Tx \pm 2dBm	Rx Sensitivity
54Mbps	14dBm	\leq -74dBm

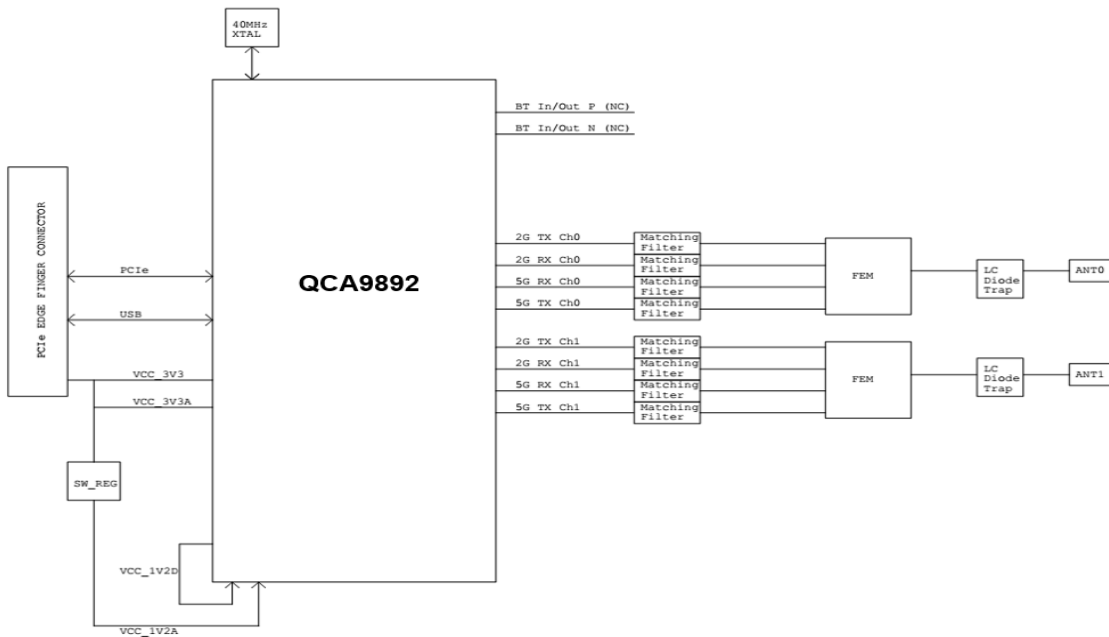
802.11n / 5GHz

	Data Rate	Tx \pm 2dBm (1TX)	Tx \pm 2dBm (2TX)	Rx Sensitivity
HT20	MCS7	13dBm	16dBm	\leq -71dBm
	MCS7	13dBm	16dBm	\leq -68dBm

802.11ac

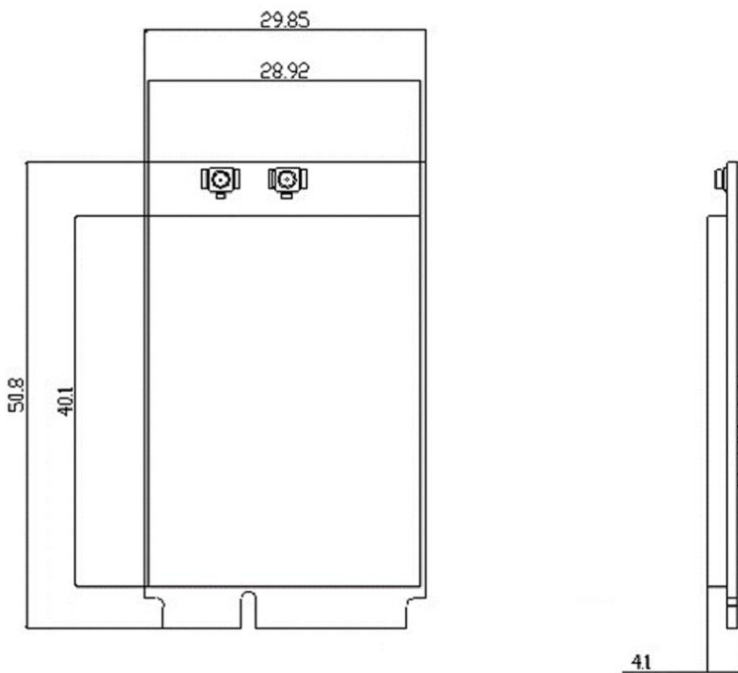
	Data Rate	Tx \pm 2dBm (1TX)	Tx \pm 2dBm (2TX)	Rx Sensitivity
VHT80	MCS9	10dBm	13dBm	\leq -59dBm

Block Diagram



Mechanical Diagram (mm)

Dimension: 50.8mm x 29.85mm x 4.1mm (±0.5mm)



Pin Assignment

Pin#	Pin Name	Description	Pin#	Pin Name	Description
1	WAKE_L(NA)	Output and open Drain active Low signal. This signal is used to request that the system return from a sleep /suspended state to service a function initiated wake event.	2	+3.3V	+3.3V
3	No Connection	-	4	GND	GND
5	No Connection	-	6	No Connection	-
7	CLKREQ_L	Output for reference clock request signal	8	No Connection	-
9	GND	GND	10	No Connection	-
11	REFCLK-	Input signal for PCI Express differential reference clock (100 MHz)	12	No Connection	-
13	REFCLK+	Input signal for PCI Express differential reference clock (100 MHz)	14	No Connection	-
15	GND	GND	16	No Connection	-
17	No Connection	-	18	GND	GND
19	No Connection	-	20	W_DISABLE_L (OPT)	Input and active low signal. This signal is used by the system to disable radio operation on add-in cards that implement radio frequency applications. When implemented, this signal requires a pull-up resistor on the card
21	GND	GND	22	PERST_L	Input signal for functional reset to the card

Pin#	Pin Name	Description	Pin#	Pin Name	Description
23	PERn0	PCI Express x1 data interface: one differential receive pair	24	+3.3V	+3.3V
25	PERp0	PCI Express x1 data interface: one differential receive pair	26	GND	GND
27	GND	GND	28	No Connection	-
29	GND	GND	30	No Connection	-
31	PETn0	PCI Express x1 data interface: one differential transmit pair	32	No Connection	-
33	PETp0	PCI Express x1 data interface: one differential transmit pair	34	GND	GND
35	GND	GND	36	No Connection	-
37	GND	GND	38	No Connection	-
39	No Connection	-	40	GND	GND
41	No Connection	-	42	No Connection	-
43	GND	GND	44	LED_WLAN_L (OPT)	Output and open drain active low signal. This signal is used to allow the PCI Express Mini Card add-in card to provide status indicators via LED devices that will be provided by the system
45	No Connection	-	46	No Connection	-
47	No Connection	-	48	No Connection	-
49	No Connection	-	50	GND	GND
51	No Connection	-	52	+3.3V	+3.3V

*NA→No active, OPT →Optional

Certification

- FCC
- IC
- NCC
- CE (RED EN 300 328 V2.1.1 / EN 301 893 V2.1.1)
- MIC(Japan)
- ASNZS

Ordering Information

Product Name	Part Number	Description
WPEQ-256ACNRBI	R9701890024	802.11ac/b/g/n Mini PCIe Module(2T2R) Industrial Grade

Optional Accessory

Product Name	Part Number	Description
AD-103AG	R3410110203	Dipole Antenna, 2dBi 2.4GHz/5GHz, RP-SMA(M) connector
AD-300N	R3410110219	Antenna Dual -Band 2.4GHz/5GHz 3dBi/5dBi Omnidirectional RP-SMA PLUG(BSMA)
AD-301N	R3410110220	Dipole Antenna, 2.4G/5G 4.4dbi/5dbi RP-SMA(M) connector
AD-302N	R3410110221	Dipole Antenna, 3dBi/2dBi 2.4G/5GHz, RP-SMA(M) connector
AD-303N	R3410110222	Dipole Antenna, 3dBi/3dBi 2.4G/5GHz, RP-SMA(M) connector
AD-305N	R3410110223	Dipole Antenna, 5dBi/5dBi 2.4G/5GHz, RP-SMA(M) connector
CBIRF-ME150	R3470300023	I-PEX/MHF1 to RP-SMA Female; L:150mm; Coaxial 1.37 Black
CBIRF-ME250	R3470300024	I-PEX/MHF1 to RP-SMA Female; L:250mm; Coaxial 1.37 Black