



Industrial NR1640 200mA Ultra-low Noise Voltage Regulator

KEY SPECIFICATIONS

- Input Voltage Range (Maximum Rating): 2.7 V to 5.5 V (6.5 V)
- Operating Temperature Range: -40 °C to 125 °C
- Output Voltage Range: 2.5 V to 4.8 V
- Output Current: 200 mA
- Quiescent Current: Typ.350 μ A
- Output Noise Voltage: Typ.6 μ Vrms ($I_{OUT} = 100$ mA)
- Ripple Rejection: Typ.80 dB ($f = 1$ kHz)
Typ.80 dB ($f = 100$ kHz)
- Dropout Voltage: Typ.0.13 V
($I_{OUT} = 200$ mA, $V_{SET} = 3.3$ V)
- Thermal Shutdown Function: Typ.165 °C
- Slope of Output Voltage at Start-up: 55 / 110 / 220 / 440 μ s / V
Selectable from 4 types
- Auto-discharge Function : Selectable by product name

APPLICATIONS

- Industrial equipment which requires noise immunity such as FA and smart meter.
- Equipment used under high-temperature conditions such as surveillance camera and vending machine.
- Equipment accompanied by self-heating such as motor and lighting.

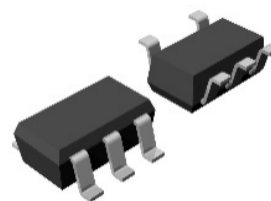
OVERVIEW

The NR1640 is a CMOS-based ultra-low noise, high PSRR voltage regulator featuring 200 mA output current and 5.5 V maximum input voltage.

With noise characteristics of 6 μ Vrms and high ripple rejection of 80 dB or more @100 kHz, high quality power can be supplied, ideal for high precision sensing systems where noise is an issue.

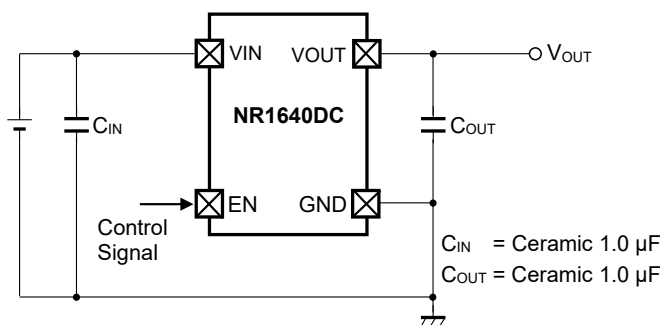
The slope of output voltage at startup can be selected from 4 types.

These options will meet the demand of suppression of inrush current and start-up slope requirement. In addition, the auto discharge function option will contribute to make the output shutdown fast to discharge output capacitance with internal discharge FET.

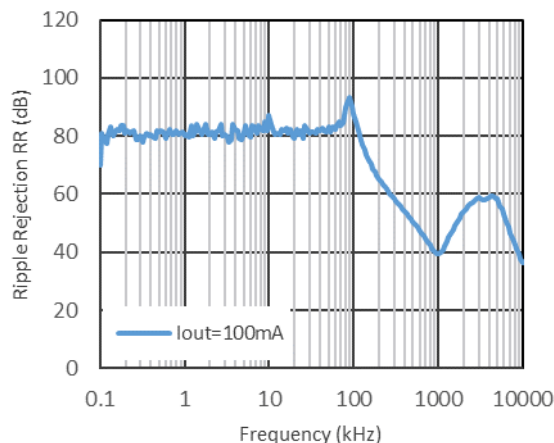


SOT-23-5-DC
2.9 × 2.8 × 1.1(mm)

TYPICAL APPLICATIONS



PSRR TYPICAL CHARACTERISTICS



$V_{IN} = 5V, V_{SET} = 3.3V$

■ PRODUCT NAME INFORMATION

NR1640 aa bbb c dd e

Description of Configuration

composition	Item	Description
aa	Package Code	Indicates the package. Refer to the order information.
bbb	Output Voltage	Set Output Voltage (V_{SET}) We have a lineup of major voltages in the range of 2.5 V (250) to 4.8 V (480).
c	Version	Indicates Slope of Output Voltage at Start-up and the selection of the auto discharge function.
dd	Packing	Refer to the packing specifications.
e	Grade	Indicates the quality grade.

Version

c	Slope of Output Voltage at Start-up	Auto-discharge Function
A	55 μ s / V	Yes
B	110 μ s / V	Yes
C	220 μ s / V	Yes
D	440 μ s / V	Yes
E	55 μ s / V	No
F	110 μ s / V	No
G	220 μ s / V	No
H	440 μ s / V	No

Grade

e	Applications	Operating Temperature Range	Test Temperature
D	Industrial Equipment and Social Infrastructures	-40°C to 125°C	25°C, 125°C

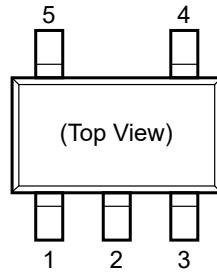
■ ORDER INFORMATION

PRODUCT NAME	PACKAGE	RoHS	HALOGEN-FREE	PLATING COMPOSITION	MARKING	WEIGHT (mg)	QUANTITY PER REEL (pcs)
NR1640DCbbbcE1D	SOT-23-5-DC	Yes	Yes	Sn	Reference	13.6	3000

[Click](#) here for details.

Note: Contact our sales representatives for other voltages.

■ PIN DESCRIPTIONS

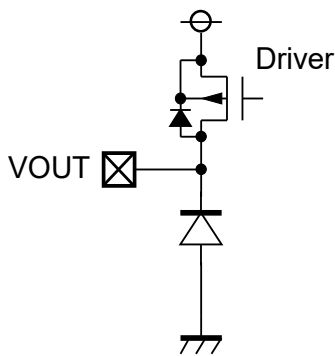


SOT-23-5-DC Pin Configuration

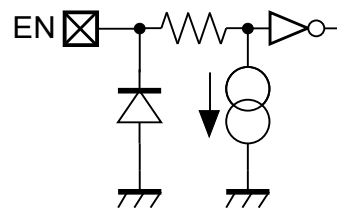
Pin No.	Pin Name	I/O	Description
1	VIN	Power	Power Supply Input Pin Connect the input capacitor between the VIN pin and GND.
2	GND	-	Ground Pin
3	EN	I	Enable Pin (Active-high) Can be set the active state with "High" input, the shutdown state with "Low". This pin is pulled down internally.
4	NC	-	No Connection It is recommended to make it open to prevent short circuit with adjacent pins during mounting.
5	VOUT	O	Output Pin Connect the output capacitor (C _{OUT}) between VOUT pin and GND.

Please refer to "[TYPICAL APPLICATION CIRCUIT](#)" or "[THEORY OF OPERATION](#)" for details.

■ Internal Equivalent Circuit Diagram of Pin



Internal equivalent circuit diagram of VOUT pin



Internal equivalent circuit diagram of EN pin

■ ABSOLUTE MAXIMUM RATINGS

Item	Symbol	Ratings	Unit
Input Voltage	V_{IN}	-0.3 to 6.5	V
EN Pin Input Voltage	V_{EN}	-0.3 to 6.5	V
Output Voltage	V_{OUT}	-0.3 to $V_{IN} + 0.3$	V
Junction Temperature Range *1	T_j	-40 to 150	°C
Storage Temperature Range	T_{stg}	-55 to 150	°C

ABSOLUTE MAXIMUM RATINGS

Electronic and mechanical stress momentarily exceeded absolute maximum ratings may cause permanent damage and may degrade the lifetime and safety for both device and system using the device in the field. The functional operation at or over these absolute maximum ratings is not assured.

*1 Calculate the power consumption of the IC from the operating conditions, and calculate the junction temperature with the thermal resistance.

Please refer to "[THERMAL CHARACTERISTICS](#)" for the thermal resistance under our measurement board conditions.

■ THERMAL CHARACTERISTIC

Item	Measurement Result
Thermal Resistance (θ_{ja})	$\theta_{ja} = 150^{\circ}\text{C/W}$
Thermal Characterization Parameter (ψ_{jt})	$\psi_{jt} = 51^{\circ}\text{C/W}$

θ_{ja} : Junction-to-Ambient Thermal Resistance

ψ_{jt} : Junction-to-Top Thermal Characterization Parameter

■ ELECTROSTATIC DISCHARGE(ESD) PROTECTION VOLTAGE

Item	Conditions	Protection Voltage
V_{HBM}	HBM : C = 100 pF, R = 1.5 k Ω	± 2000 V
V_{CDM}	CDM	± 1000 V

ELECTROSTATIC DISCHARGE RATINGS

The electrostatic discharge test is done based on JESD47.
In the HBM method, ESD is applied using the power supply pin and GND pin as reference pins.

■ RECOMMENDED OPERATING CONDITIONS

Item	Symbol	Ratings	Unit
Input Voltage	V_{IN}	2.7 to 5.5	V
Operating Temperature Range	T_a	-40 to 125	°C
Output Current	I_{OUT}	0 to 200	mA

RECOMMENDED OPERATING CONDITIONS

All of electronic equipment should be designed that the mounted semiconductor devices operate within the recommended operating conditions. The semiconductor devices cannot operate normally over the recommended operating conditions, even if when they are used over such conditions by momentary electronic noise or surge. And the semiconductor devices may receive serious damage when they continue to operate over the recommended operating conditions.

■ ELECTRICAL CHARACTERISTICS

$V_{IN} = V_{SET} + 1\text{ V}$ (Max. 5.5 V), $I_{OUT} = 1\text{ mA}$, $C_{IN} = 1.0\text{ }\mu\text{F}$, $C_{OUT} = 1.0\text{ }\mu\text{F}$

Unless otherwise specified.

For parameter that do not describe the temperature condition, the MIN / MAX value under the condition of $-40\text{ }^{\circ}\text{C} \leq T_a \leq 125\text{ }^{\circ}\text{C}$ is described.

NR1640DCxxxE1D

Parameter	Symbol	Conditions	MIN	TYP	MAX	Unit	
Output Voltage	V_{OUT}	$T_a = 25^{\circ}\text{C}$	$\times 0.99$	-	$\times 1.01$	V	
		$-40^{\circ}\text{C} \leq T_a \leq 125^{\circ}\text{C}$	$\times 0.985$	-	$\times 1.015$	V	
Quiescent Current	I_q	$V_{IN} = V_{SET} + 1\text{ V}$ (Max. 5.5 V) $I_{OUT} = 0\text{ mA}$	-	350	450	μA	
Shutdown Current	I_{SD}	$V_{IN} = 5.5\text{ V}$, $V_{EN} = 0\text{ V}$	-	0.1	2.0	μA	
Load Regulation	$\frac{\Delta V_{OUT}}{\Delta I_{OUT}}$	$1\text{ mA} \leq I_{OUT} \leq 200\text{ mA}$	-	-	20	mV	
Line Regulation	$\frac{\Delta V_{OUT}}{\Delta V_{IN}}$	$2.5\text{ V} \leq V_{SET} \leq 3.9\text{ V}$, $V_{SET} + 0.5\text{ V} \leq V_{IN} \leq 5.5\text{ V}$ $I_{OUT} = 1\text{ mA}$	-	-	0.1	%V	
		$3.9\text{ V} < V_{SET} < 4.5\text{ V}$, $V_{SET} + 0.5\text{ V} \leq V_{IN} \leq 5.5\text{ V}$ $I_{OUT} = 1\text{ mA}$	-	-	0.15		
		$4.5\text{ V} \leq V_{SET} \leq 4.8\text{ V}$, $V_{SET} + 0.3\text{ V} \leq V_{IN} \leq 5.5\text{ V}$ $I_{OUT} = 1\text{ mA}$	-	-	0.15		
Dropout Voltage	V_{DO}	$I_{OUT} = 200\text{ mA}$	$2.5\text{ V} \leq V_{SET} < 2.9\text{ V}$	-	0.15	0.23	V
			$2.9\text{ V} \leq V_{SET} < 4\text{ V}$	-	0.13	0.2	
			$4\text{ V} \leq V_{SET} \leq 4.8\text{ V}$	-	0.095	0.15	
Ripple Rejection	RR	$f = 1\text{ kHz}$	-	80	-	dB	
		$f = 100\text{ kHz}$	-	80	-	dB	
Output Noise Voltage	V_{NOISE}	$f = 10\text{ Hz to } 100\text{ kHz}$, $I_{OUT} = 100\text{ mA}$	-	6	-	μVrms	
UVLO Release Voltage*1	$V_{UVLOREL}$	$V_{IN} = \text{Rising}$	-	-	2.7	V	
UVLO Detection Voltage*1	$V_{UVLODET}$	$V_{IN} = \text{Falling}$	2.5	-	-	V	
Output Current Limit	I_{LIM}	$V_{IN} = V_{SET} + 1\text{ V}$ (Max. 5.5 V)	200	280	-	mA	
Short Current Limit	I_{SC}	$V_O = 0\text{ V}$	40	75	100	mA	
Limit Current at Start-up	$I_{LIMRISE}$	$V_O = 0\text{ V}$	100	140	180	mA	
Slope of Output Voltage at Start-up	V_{OUTSS}	NR1640DCxxxA/E	37.5	55	72.5	$\mu\text{s/V}$	
		NR1640DCxxxB/F	75	110	145		
		NR1640DCxxxC/G	150	220	290		
		NR1640DCxxxD/H	300	440	580		
EN Pin High Input Voltage	V_{ENH}		1.0	-	-	V	
EN Pin Low Input Voltage	V_{ENL}		0	-	0.4	V	
EN Pin Current	I_{EN}	$V_{IN} = V_{EN} = 5.5\text{ V}$	0.05	0.37	0.6	μA	
Discharge FET On-resistance (ver. A/B/C/D)	R_{ONDIS}	$V_{IN} = 3.6\text{ V}$, $V_{EN} = 0\text{ V}$, $V_O = 0.1\text{ V}$	-	15	30	Ω	
Thermal shutdown detection temperature	T_{SDDET}	$T_j = \text{Rising}$	150	165	-	$^{\circ}\text{C}$	
Thermal shutdown release temperature	T_{SDREL}	$T_j = \text{Falling}$	125	135	-	$^{\circ}\text{C}$	

All test parameters listed in Electrical Characteristics are done under the following conditions, except for ripple removal and output noise voltage.

$T_j \approx T_a = 25^{\circ}\text{C}$, 125°C

*1 Due to the circuit configuration, $V_{UVLOF} \geq V_{UVLOR}$ does not hold. The hysteresis is Typ.0.08 V

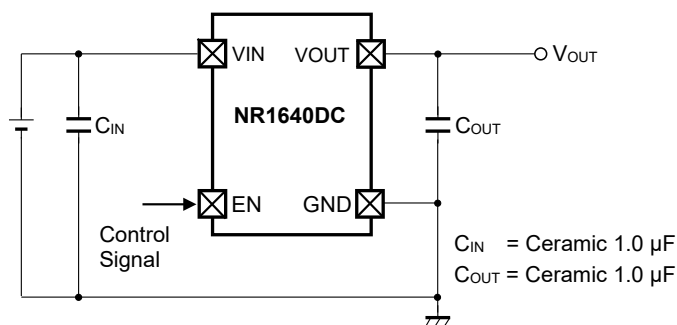
■ PRODUCT-SPECIFIC ELECTRICAL CHARACTERISTICS

PRODUCT NAME	V _{OUT} (T _a = 25°C)			V _{OUT} (-40 ≤ T _a ≤ 125°C)		
	MIN	TYP	MAX	MIN	TYP	MAX
NR1640DC250xxxD	2.475	2.5	2.525	2.462	2.5	2.538
NR1640DC280xxxD	2.772	2.8	2.828	2.758	2.8	2.842
NR1640DC290xxxD	2.871	2.9	2.929	2.856	2.9	2.944
NR1640DC300xxxD	2.970	3.0	3.030	2.955	3.0	3.045
NR1640DC330xxxD	3.267	3.3	3.333	3.250	3.3	3.350
NR1640DC340xxxD	3.366	3.4	3.434	3.349	3.4	3.451
NR1640DC480xxxD	4.752	4.8	4.848	4.728	4.8	4.872

Above parameters are all tested under the following conditions:

$$T_j \approx T_a = 25^\circ\text{C}, 125^\circ\text{C}$$

■ TYPICAL APPLICATION CIRCUIT



NR1640DC Typical Application Circuit

Technical Notes Related to External Components

Ensure the VIN and GND lines are sufficiently robust. If their impedances are too high, noise pickup or unstable operation may result. Connect a 1.0 μF or more input capacitor (C_{IN}) between the VIN and GND pins with shortest-distance wiring.

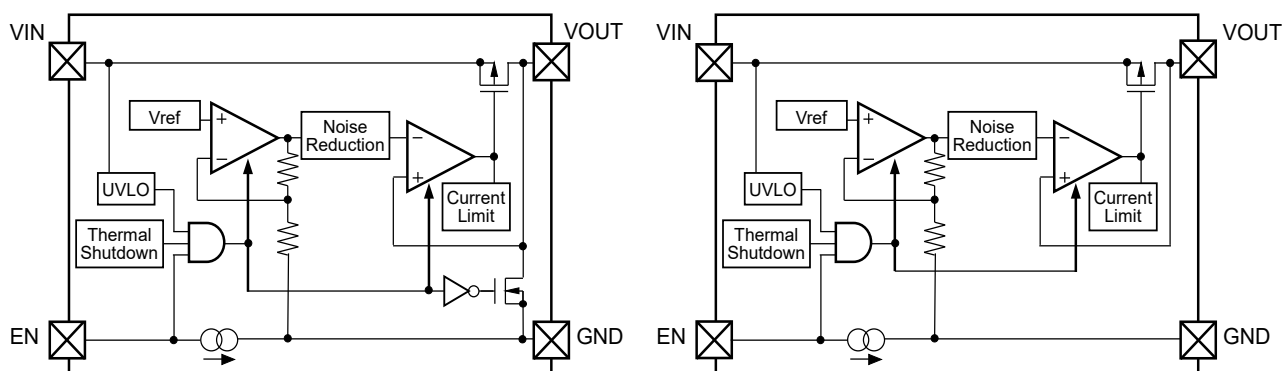
It is recommended to use a ceramic capacitor of 6.3 V and more such as the X7R having small temperature dependence to ESR, ESL, and capacitance.

Phase compensation is provided to secure stable operation even when the load current is varied. For this purpose, use a ceramic capacitor of 1.0 μF or more with ESR (Equivalent Series Resistance) of up to 300 m Ω to connect an output capacitor (C_{OUT}) between the VOUT and GND pins with shortest-distance wiring. Besides, set for the output capacitor to ensure the following effective capacitance in consideration of the dependence of temperature, DC bias, and package size.

Set Output Voltage (V_{SET})	Effective Capacity
$2.5 \text{ V} \leq V_{SET} \leq 3.3 \text{ V}$	0.7 μF
$3.3 \text{ V} < V_{SET} \leq 4.8 \text{ V}$	0.6 μF

In case of using an output capacitor of 1.0 μF or more, place a 1.0 μF ceramic capacitor as close as possible. When using a capacitor with a large ESR such as a tantalum capacitor, select a component that satisfies the stability of the ESR. It is recommend using a low ESR capacitor that is sufficient for stable operation.

■ BLOCK DIAGRAMS



NR1640DCxxxA/B/C/D Block Diagram

NR1640DCxxxE/F/G/H Block Diagram

■ THEORY OF OPERATION

● Enable Function

Forcing above designated "High" voltage to EN pin, the NR1640 becomes active. Forcing below designated "Low" voltage to EN pin shuts down the NR1640. The EN pin is pulled down with a constant current of Typ.0.37 μ A inside the IC. In shutdown condition, all functions are disabled except Auto Discharge function. (Option) With Auto-Discharge option, the MOSFET to discharge the output capacitor turns on and the output is pulled down to GND. Without Auto-Discharge option, the output becomes "Hi-Z". EN pin can accept input range voltage regardless of the input of VIN pin. If Enable function is not necessary, tie EN pin to VIN pin or other designated "High" voltage node at start-up.

● Auto Discharge Function

When turned off, the Vout voltage drops rapidly to near 0V by discharging the charge stored in the output capacitor through the MOSFET connected between the VOUT and GND pins. The auto discharge function is enabled when the EN pin = "low" or the thermal shutdown detection. This function is effective when the input voltage aboves the minimum operating voltage. On-resistance of MOSFET is Typ.15 Ω .

● Thermal Shutdown

When the junction temperature exceeds the thermal shutdown detection temperature (Typ.165°C), this IC cuts off the output and suppresses the self-heating. When the junction temperature falls below the thermal shutdown release temperature (Typ.135°C), this IC will restart with the soft start operation.

● Soft-start / Inrush Current Limit

The soft start function is a function that makes the rise of the output voltage (V_{SET}) a fixed time ($V_{SET} \times V_{OUTSS}$) by starting up the internal reference voltage generated inside the IC with the selected slope of output voltage at start-up (V_{OUTSS}).

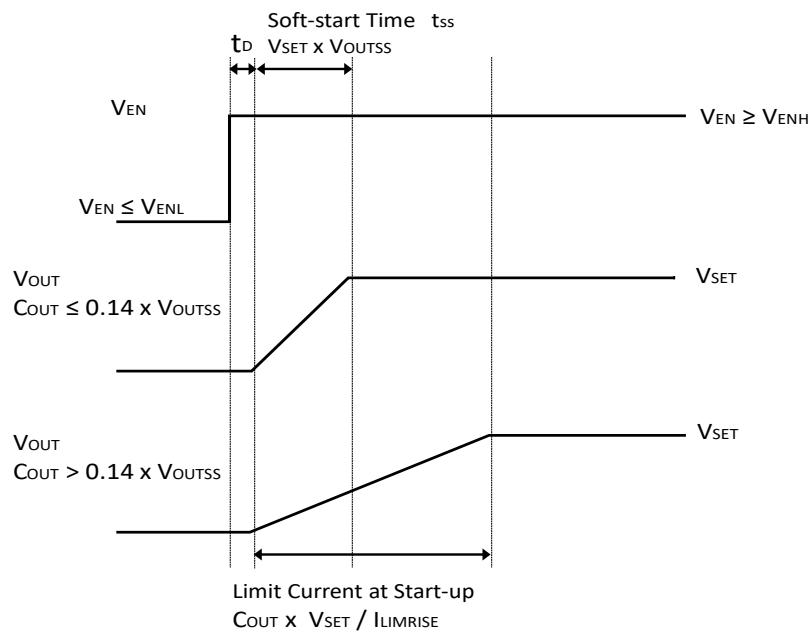
By this function, the output voltage at start-up rises up slowly and the inrush current at start-up can be suppressed. NR1640 builds in the Inrush current limit circuit. After the EN pin becomes "High", the inrush current which flows at charging the C_{OUT} , is limited at Typ.140 mA.

If an effective capacitance value of the connected C_{OUT} is larger than $0.14 \times V_{OUTSS}$, the charging current is limited. So, the output voltage rises more slowly than the selected slope of output voltage at start-up (V_{OUTSS}). If the load current (I_{LOAD}) is smaller than the charging current to the C_{OUT} , the output voltage ramp up time is determined by the inrush current limit value and C_{OUT} value. When the effective capacity value of C_{OUT} is about $0.14 \times V_{OUTSS}$ or more, the output turning on time (t_{ON}) can be calculated from the following equation:

$$t_{ON} = t_D + C_{OUT} \times V_{SET} / I_{LIMRISE}$$

t_D : Delay Time at Start-up 35 μ s
 V_{SET} : Set Output Voltage
 $I_{LIMRISE}$: Limit Current at Start-up Typ.140mA

If the load current (I_{LOAD}) exists other than the charge current to C_{OUT} during start-up, the start-up time is extended. The load current over $I_{LIMRISE}$ may interfere charging of C_{OUT} and the output does not rise up.



■ THERMAL CHARACTERISTICS

Thermal characteristics depend on the mounting conditions.
The following measurement conditions are based on JEDEC STD. 51.

Measurement Conditions

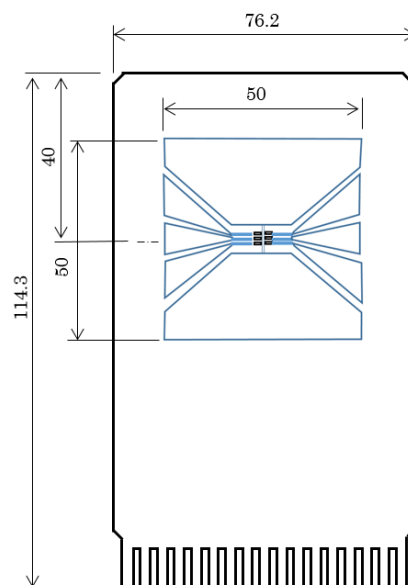
Item	Measurement Conditions
Measurement status	Mounting on Board (Wind Velocity = 0 m/s)
Board material	Glass Cloth Epoxy Plastic (Four-Layer Board)
Board size	76.2 mm × 114.3 mm × 0.8 mm
Wiring rate	Outer Layer (First Layer): Less than 95% of 50 mm Square Inner Layers (Second and Third Layers): Approx. 100% of 50 mm Square Outer Layer (Fourth Layer): Approx. 100% of 50 mm Square
Through hole	φ 0.3 mm × 7 pcs

Measurement Result

Item	Measurement Result
Thermal Resistance (θ _{ja})	θ _{ja} = 150°C/W
Thermal Characterization Parameter (ψ _{jt})	ψ _{jt} = 51°C/W

θ_{ja} : Junction-to-Ambient Thermal Resistance

ψ_{jt} : Junction-to-Top Thermal Characterization Parameter



Measurement Board Pattern

■ CALCULATION METHOD OF JUNCTION TEMPERATURE

The junction temperature (T_j) can be calculated from the following formula.

$$T_j = T_a + \theta_{ja} \times P$$

$$T_j = T_c \text{ (top)} + \psi_{jt} \times P$$

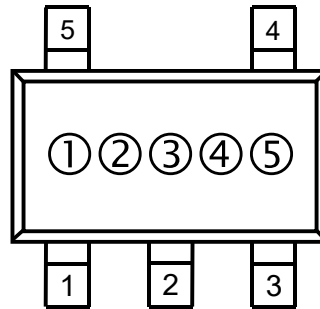
T_a: Ambient temperature

T_c (top) : Package mark side center temperature

P (Power consumption under user's conditions) : (V_{IN} - V_{OUT}) × I_{OUT}

■ MARKING SPECIFICATION

- ①②③ : Product Code (Abbreviation)
- ④⑤ : Lot Number ··· Alphanumeric Serial Number



SOT-23-5-DC Marking

NOTICE

There can be variation in the marking when different AOI (Automated Optical Inspection) equipment is used. In the case of recognizing the marking characteristic with AOI, please contact our sales or distributor before attempting to use AOI.

■ ORDER INFORMATION (ALL)

PRODUCT NAME	PACKAGE	RoHS	HALOGEN-FREE	Plating Composition	MARKING	WEIGHT (mg)	Quantity per Reel (pcs)
NR1640DC250AE1D	SOT-23-5-DC	Yes	Yes	Sn	A00	13.6	3000
NR1640DC280AE1D					A01		
NR1640DC290AE1D					A06		
NR1640DC300AE1D					A02		
NR1640DC330AE1D					A03		
NR1640DC340AE1D					A04		
NR1640DC480AE1D					A05		
NR1640DC250BE1D					B00		
NR1640DC280BE1D					B01		
NR1640DC290BE1D					B06		
NR1640DC300BE1D					B02		
NR1640DC330BE1D					B03		
NR1640DC340BE1D					B04		
NR1640DC480BE1D					B05		
NR1640DC250CE1D					C00		
NR1640DC280CE1D					C01		
NR1640DC290CE1D					C06		
NR1640DC300CE1D					C02		
NR1640DC330CE1D					C03		
NR1640DC340CE1D					C04		
NR1640DC480CE1D					C05		
NR1640DC250DE1D					D00		
NR1640DC280DE1D					D01		
NR1640DC290DE1D					D06		
NR1640DC300DE1D					D02		
NR1640DC330DE1D					D03		
NR1640DC340DE1D					D04		
NR1640DC480DE1D					D05		
NR1640DC250EE1D					E00		
NR1640DC280EE1D					E01		
NR1640DC290EE1D					E06		
NR1640DC300EE1D					E02		
NR1640DC330EE1D					E03		
NR1640DC340EE1D					E04		
NR1640DC480EE1D					E05		
NR1640DC250FE1D					F00		
NR1640DC280FE1D					F01		
NR1640DC290FE1D					F06		
NR1640DC300FE1D					F02		
NR1640DC330FE1D					F03		
NR1640DC340FE1D	F04						
NR1640DC480FE1D	F05						

PRODUCT NAME	PACKAGE	RoHS	HALOGEN-FREE	Plating Composition	MARKING	WEIGHT (mg)	Quantity per Reel (pcs)
NR1640DC250GE1D	SOT-23-5-DC	Yes	Yes	Sn	G00	13.6	3000
NR1640DC280GE1D					G01		
NR1640DC290GE1D					G06		
NR1640DC300GE1D					G02		
NR1640DC330GE1D					G03		
NR1640DC340GE1D					G04		
NR1640DC480GE1D					G05		
NR1640DC250HE1D					H00		
NR1640DC280HE1D					H01		
NR1640DC290HE1D					H06		
NR1640DC300HE1D					H02		
NR1640DC330HE1D					H03		
NR1640DC340HE1D					H04		
NR1640DC480HE1D					H05		

■ APPLICATION NOTES

Phase Compensation

Phase compensation is provided to secure stable operation even when the load current is varied by utilizing capacity of the output ceramic capacitor and Equivalent Series Resistance (ESR). For this purpose, use a capacitor for C_{OUT} with the capacity of equal or more than $1.0 \mu\text{F}$. Depending on the ESR, the output may oscillate, so evaluate carefully including the temperature characteristics and frequency characteristics. Connect a capacitor (C_{IN}) of $1.0 \mu\text{F}$ or more between the VDD and GND pins, and keep the wiring as short as possible.

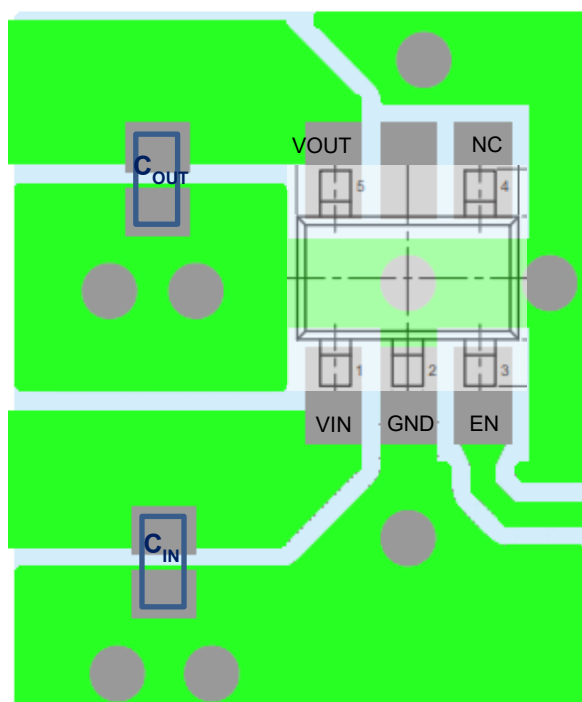
Thermal Shutdown Function

The thermal shutdown function prevents the IC from fuming and ignition but does not ensure the IC's reliability or keep the IC below the absolute maximum ratings.

The thermal shutdown function does not operate on the heat generated by other than the normal IC operation such as latch-up and overvoltage application.

The thermal shutdown function operates in a state over the absolute maximum ratings, therefore the thermal shutdown function should not be used for a system design.

Evaluation Board / PCB Layout

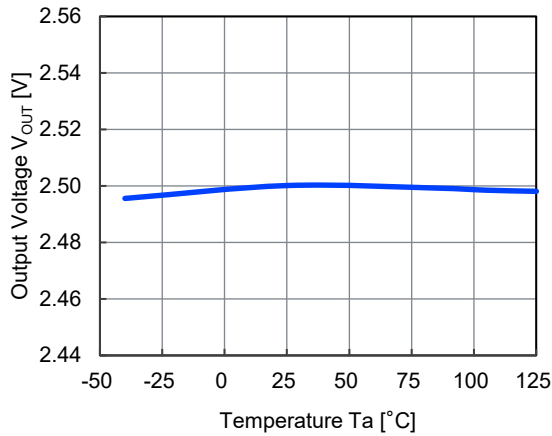


■ TYPICAL CHARACTERISTICS

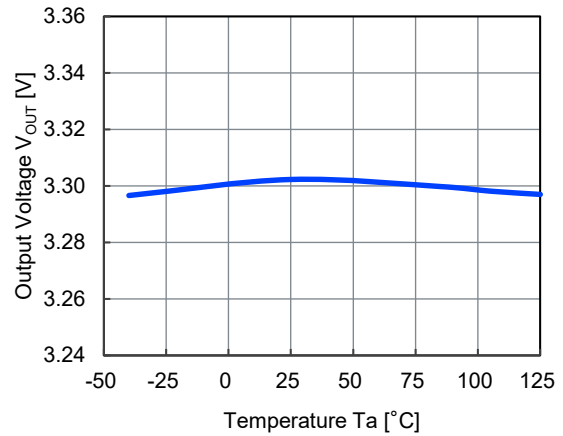
Note: Typical Characteristics are intended to be used as reference data; they are not guaranteed.

1) Output Voltage vs Temperature

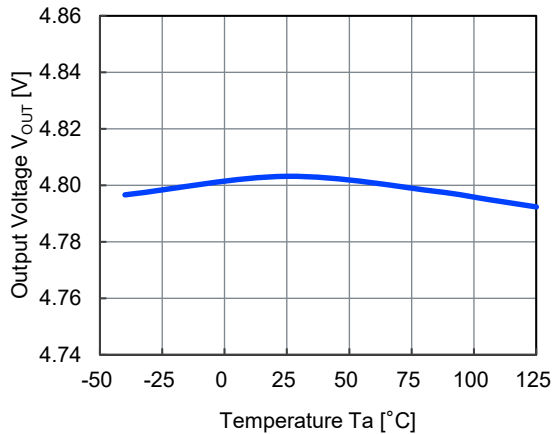
$V_{IN} = V_{SET} + 1\text{ V}$ (Max = 5.5 V), $I_{OUT} = 1\text{ mA}$, $C_{IN} = C_{OUT} = 1.0\text{ }\mu\text{F}$
NR1640DC250D



NR1640DC330D

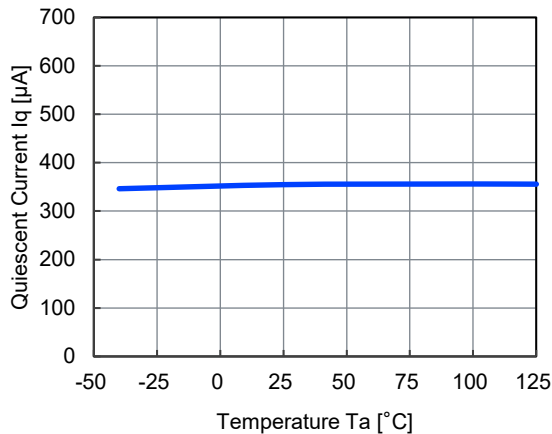


NR1640DC480D

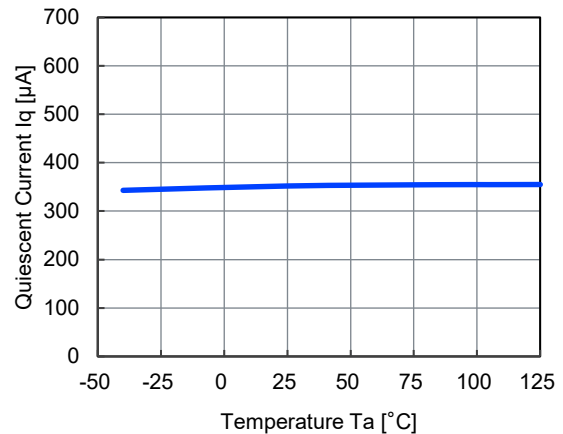


2) Quiescent Current vs Temperature

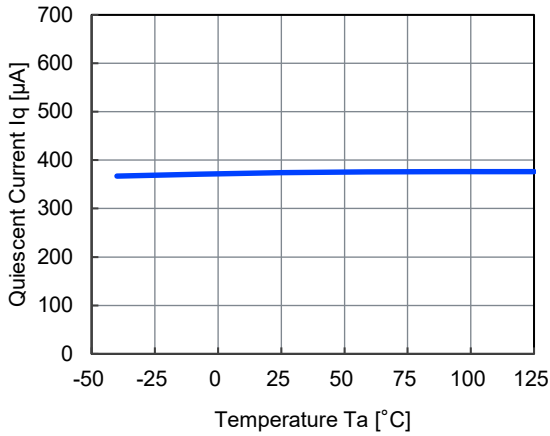
$V_{IN} = V_{SET} + 1\text{ V}$ (Max = 5.5 V), $C_{IN} = C_{OUT} = 1.0\text{ }\mu\text{F}$
NR1640DC250D



NR1640DC330D



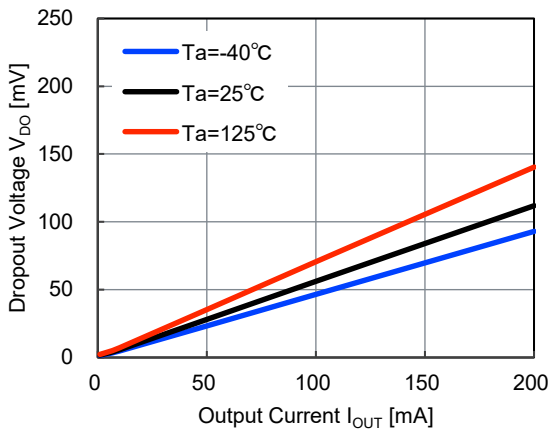
NR1640DC480D



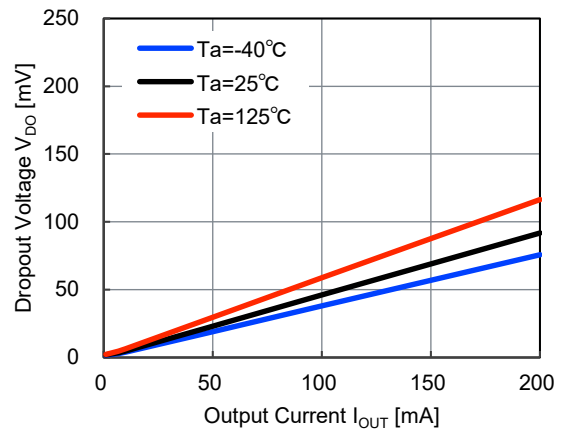
3) Dropout Voltage vs Output Current

C_{IN} = C_{OUT} = 1.0 µF

NR1640DC330D



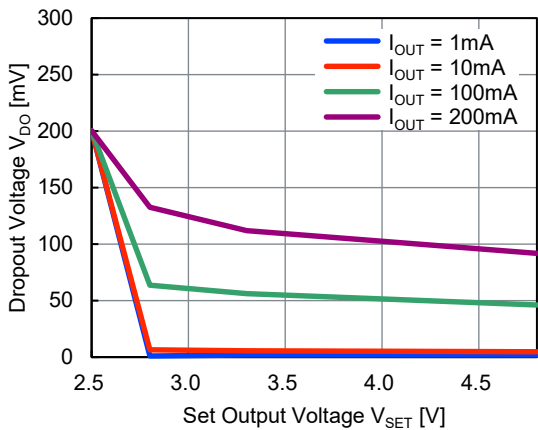
NR1640DC480D



4) Dropout Voltage vs Set Output Voltage

C_{IN} = C_{OUT} = 1.0 µF, T_a = 25°C

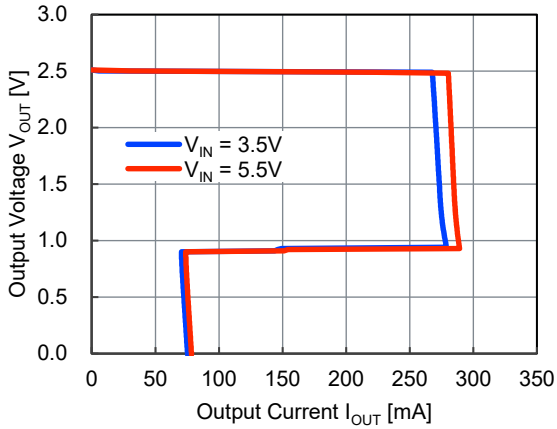
NR1640DCxxxD



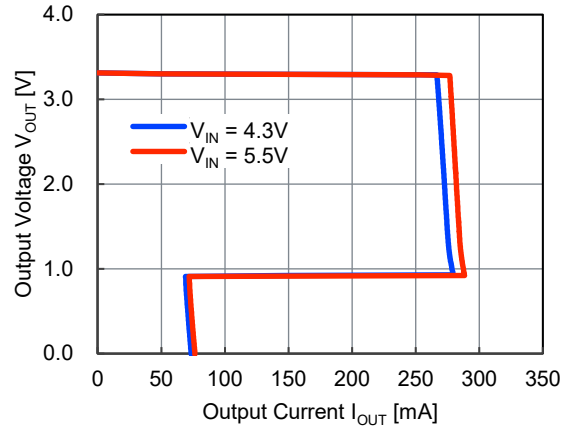
5) Output Voltage vs Output Current

$V_{IN} = V_{SET} + 1\text{ V}$ (Max = 5.5 V), $C_{IN} = C_{OUT} = 1.0\ \mu\text{F}$, $T_a = 25^\circ\text{C}$

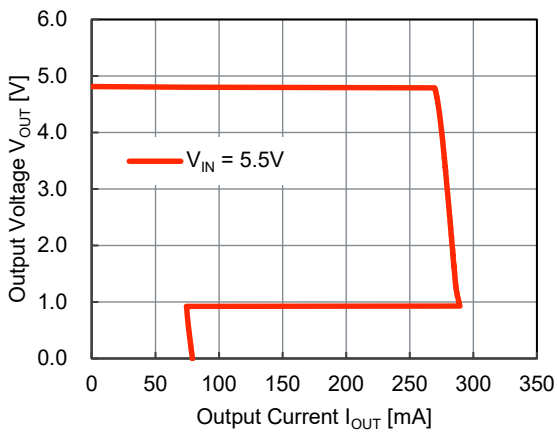
NR1640DC250D



NR1640DC330D



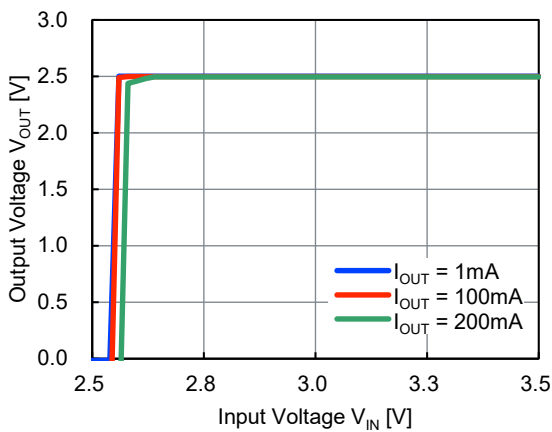
NR1640DC480D



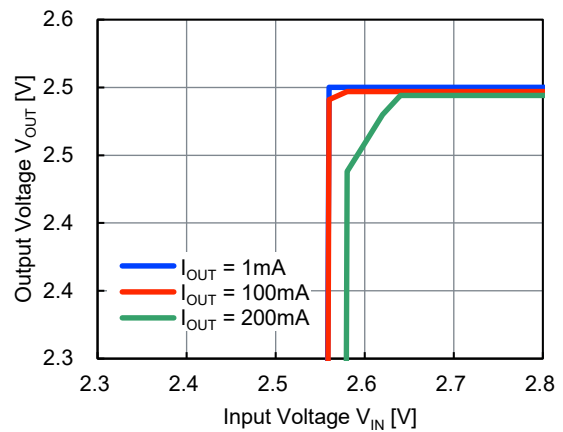
6) Output Voltage vs Input Voltage

$V_{IN} = V_{SET} + 1\text{ V}$ (Max = 5.5 V) to 0 V, $C_{IN} = C_{OUT} = 1.0\ \mu\text{F}$, $T_a = 25^\circ\text{C}$

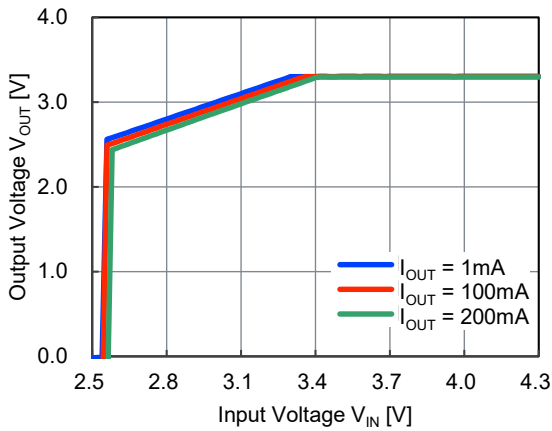
NR1640DC250D, ($V_{IN} = 2.5\text{V to } 3.5\text{V}$)



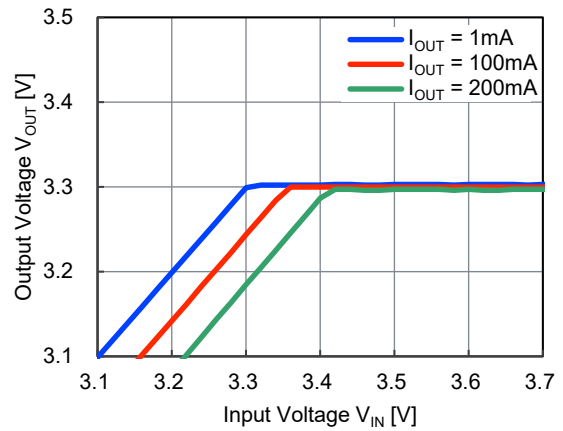
NR1640DC250D, ($V_{IN} = 2.3\text{V to } 2.8\text{V}$)



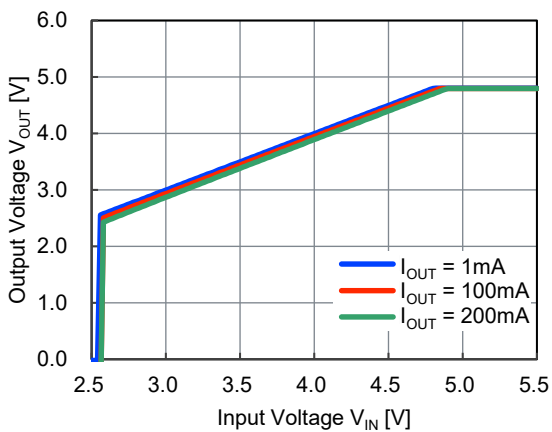
NR1640DC330D, ($V_{IN}=2.5V$ to $4.3V$)



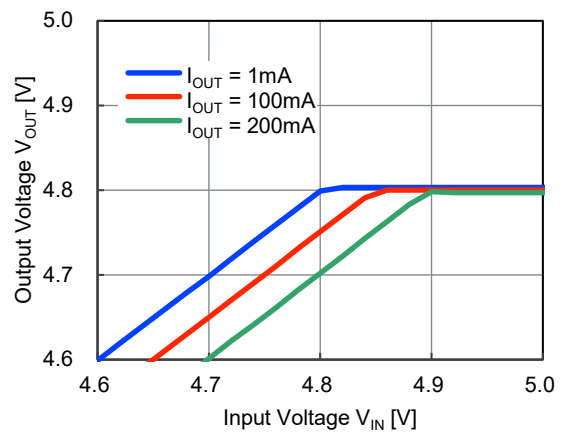
NR1640DC330D, ($V_{IN}=3.1V$ to $3.7V$)



NR1640DC480D, ($V_{IN}=2.5V$ to $5.5V$)



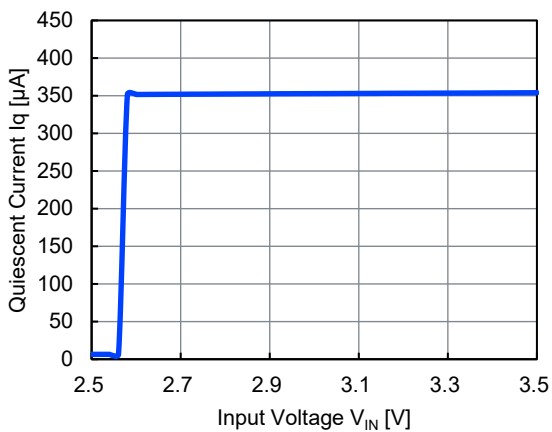
NR1640DC480D, ($V_{IN}=4.6V$ to $5.5V$)



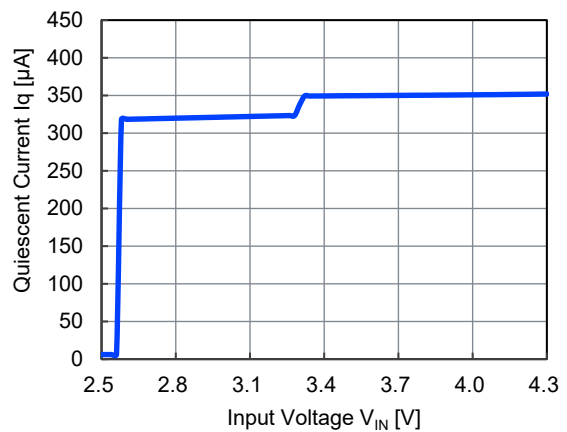
7) Quiescent Current vs Input Voltage

$V_{IN} = V_{SET} + 1V$ (Max = $5.5V$) to $0V$, $C_{IN} = C_{OUT} = 1.0\mu F$, $T_a = 25^\circ C$

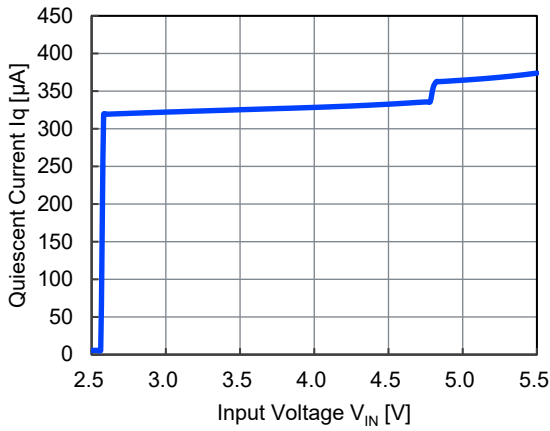
NR1640DC250D



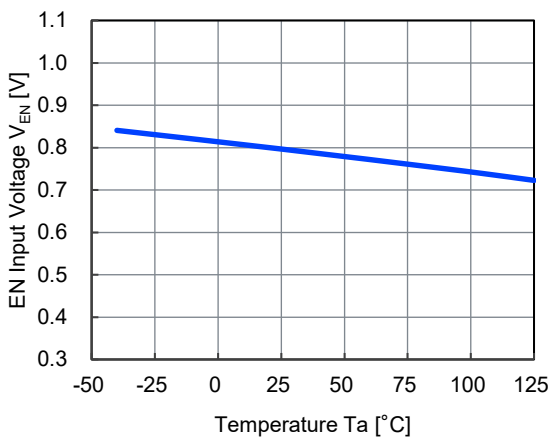
NR1640DC330D



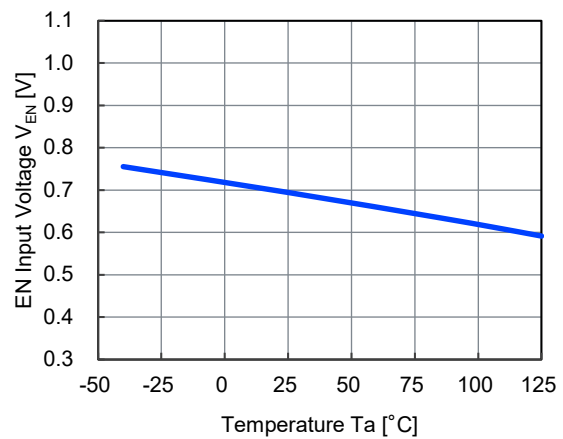
NR1640DC480D



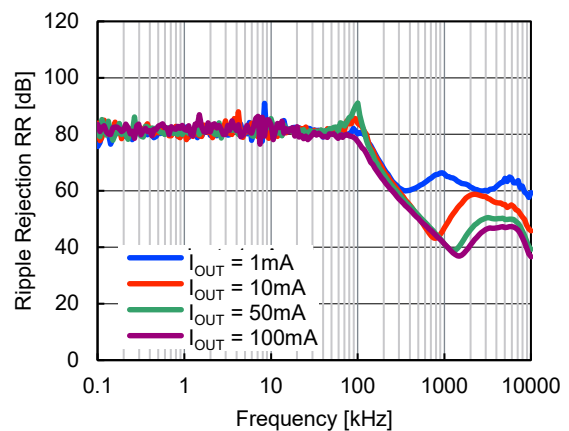
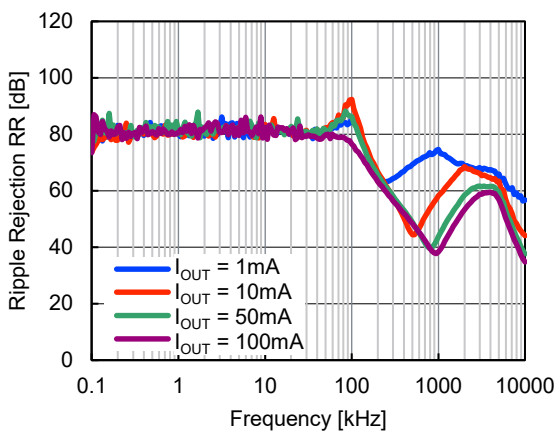
8) EN "High / Low" Input Voltage vs Temperature
 $V_{IN} = V_{SET} + 1$ V (Max = 5.5 V), $C_{IN} = C_{OUT} = 1.0$ μ F
 NR1640DCxxxD, EN = "High"



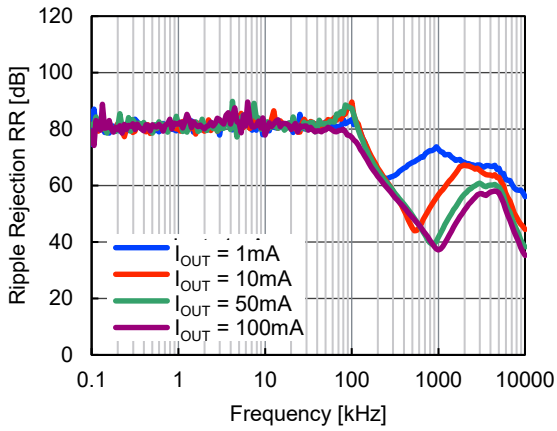
NR1640DCxxxD, EN = "Low"



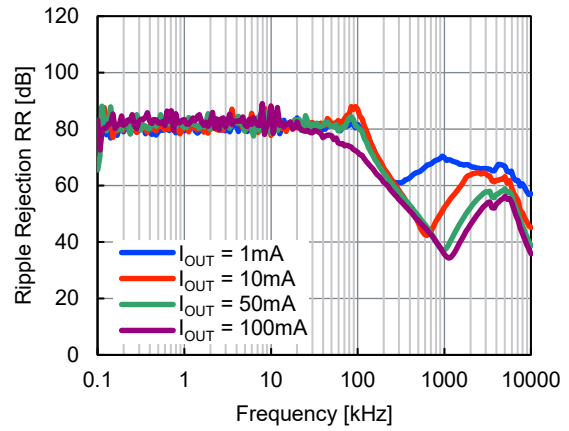
9) Ripple Rejection vs Frequency
 $V_{IN} = V_{SET} + 1$ V (Max = 5.5 V), $V_{ripple} = 0.2$ Vp-p, $C_{OUT} = 1.0$ μ F, $T_a = 25^{\circ}$ C
 NR1640DC250D NR1640DC290D



NR1640DC330D



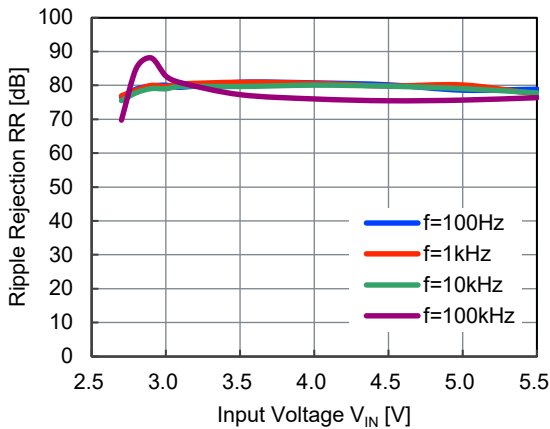
NR1640DC480D



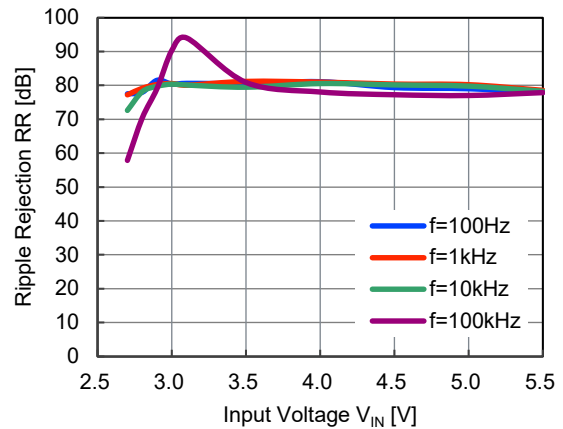
10) Ripple Rejection vs Input Voltage

$V_{IN} = V_{SET}$ to 5.5 V (Min = 2.7 V), $V_{ripple} = 0.2$ Vp-p, $C_{OUT} = 1.0$ μ F, $T_a = 25^\circ$ C

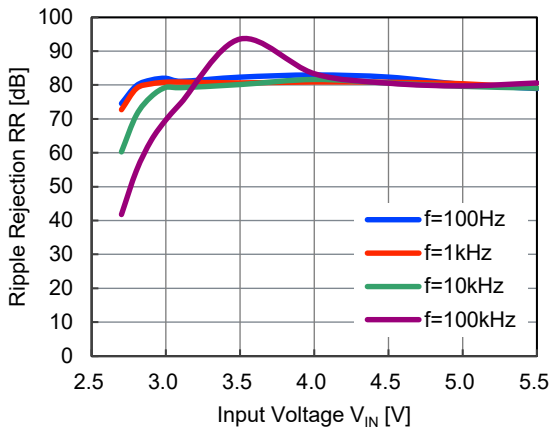
NR1640DC250D, $I_{OUT} = 1$ mA



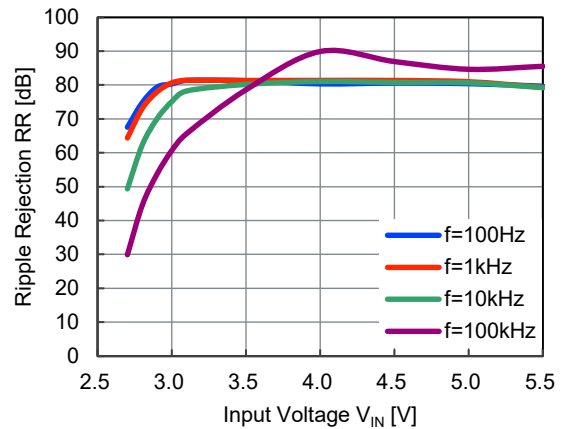
NR1640DC250D, $I_{OUT} = 10$ mA



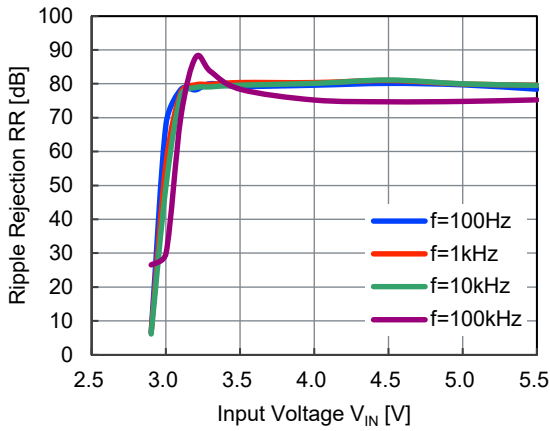
NR1640DC250D, $I_{OUT} = 50$ mA



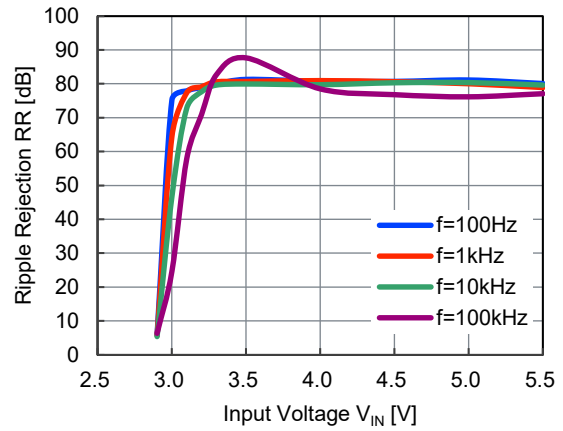
NR1640DC250D, $I_{OUT} = 100$ mA



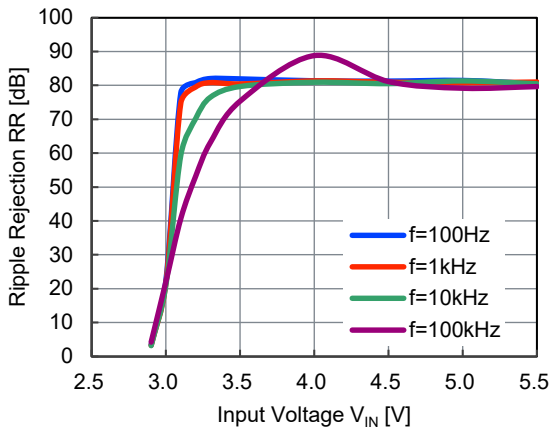
NR1640DC290D, I_{OUT} = 1 mA



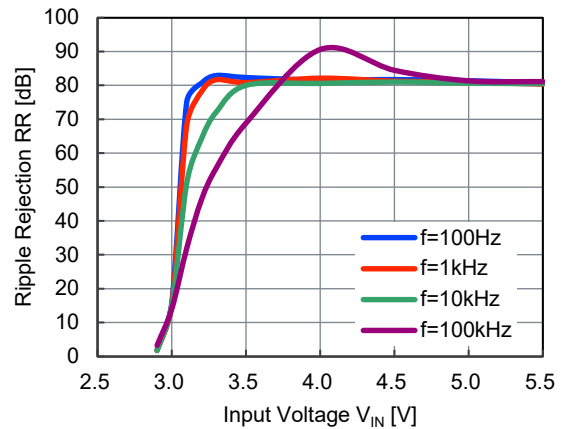
NR1640DC290D, I_{OUT} = 10 mA



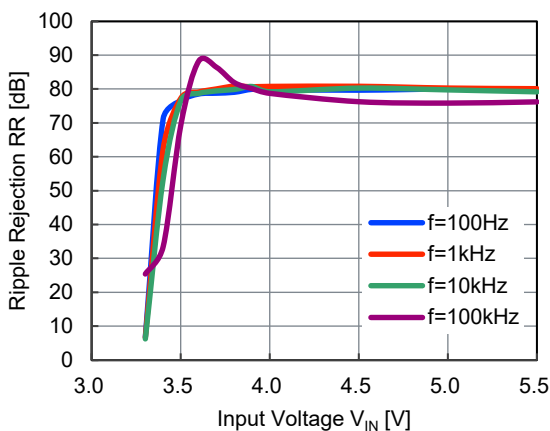
NR1640DC290D, I_{OUT} = 50 mA



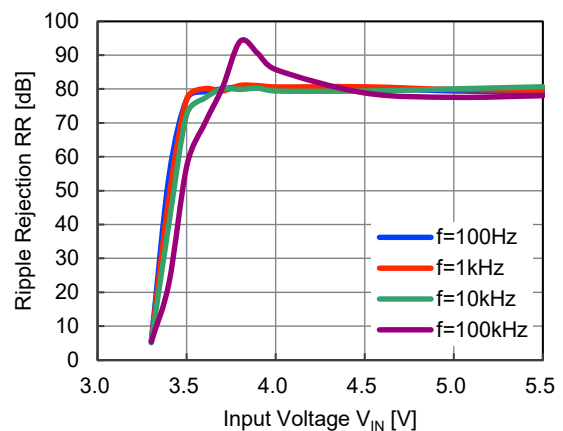
NR1640DC290D, I_{OUT} = 100 mA



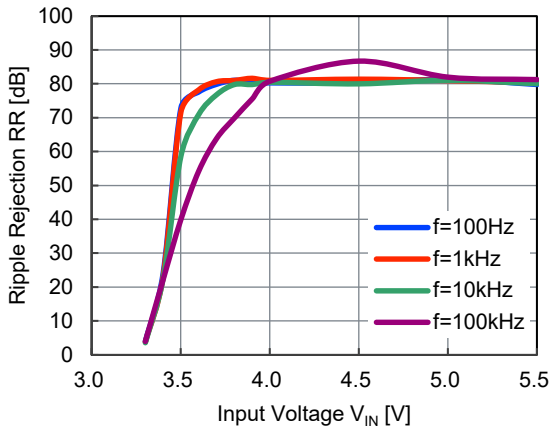
NR1640DC330D, I_{OUT} = 1 mA



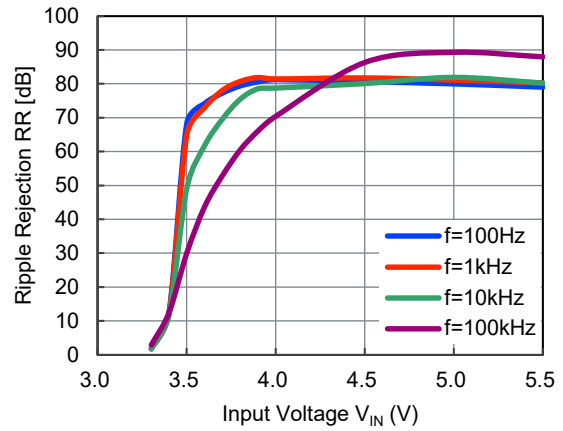
NR1640DC330D, I_{OUT} = 10 mA



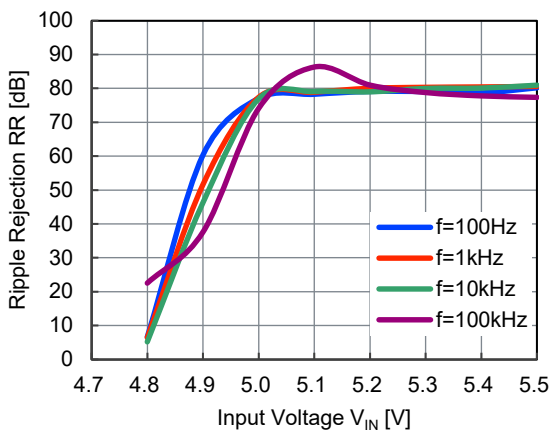
NR1640DC330D, I_{OUT} = 50 mA



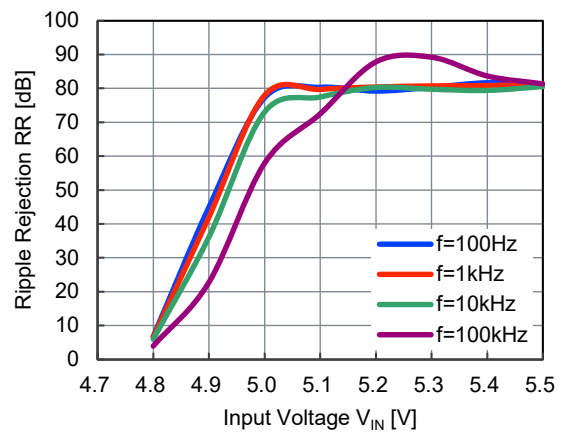
NR1640DC330D, I_{OUT} = 100 mA



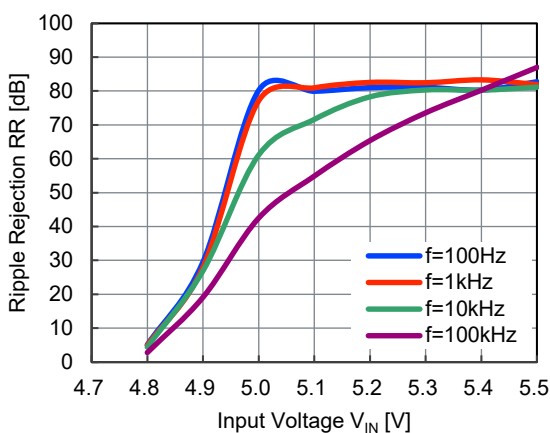
NR1640DC480D, I_{OUT} = 1 mA



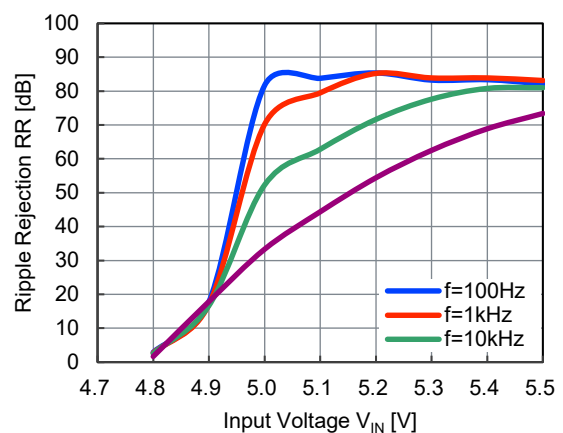
NR1640DC480D, I_{OUT} = 10 mA



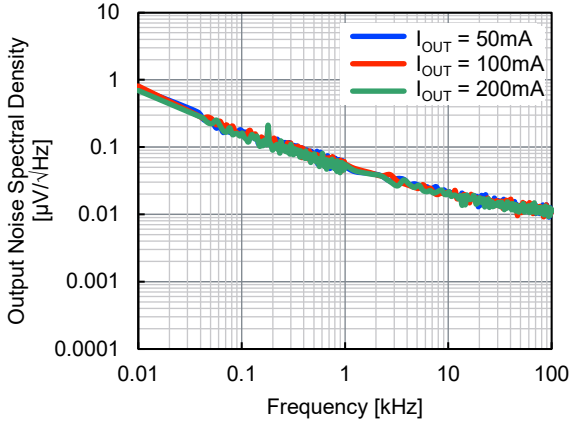
NR1640DC480D, I_{OUT} = 50 mA



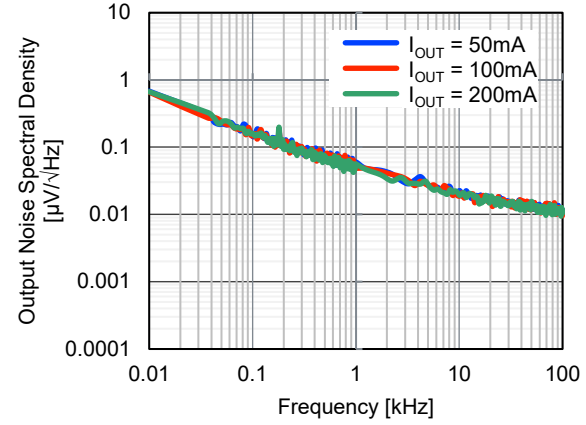
NR1640DC480D, I_{OUT} = 100 mA



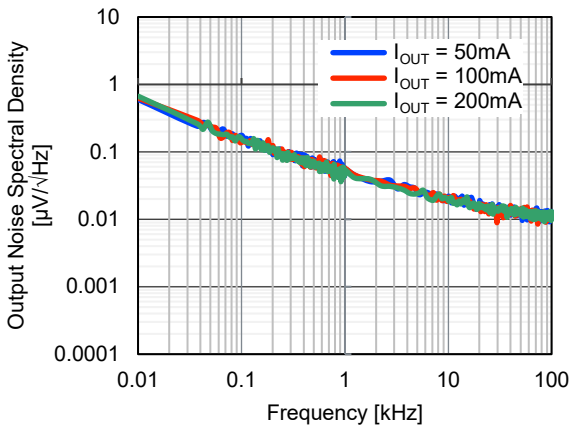
11) Output Noise Spectral Density vs Frequency
 $V_{IN} = V_{SET} + 1\text{ V}$ (Max = 5.5 V), $C_{IN} = C_{OUT} = 1.0\ \mu\text{F}$, $T_a = 25^\circ\text{C}$
 NR1640DC250D



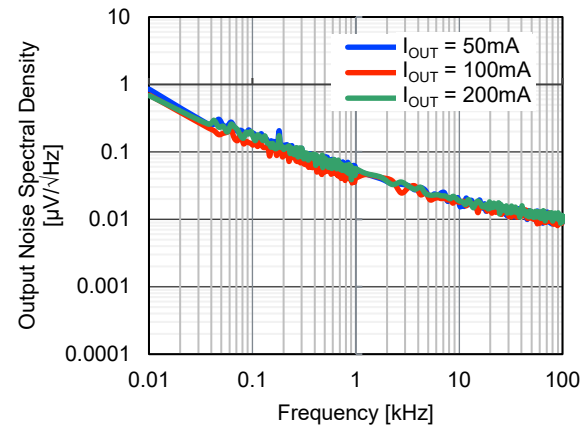
NR1640DC290D



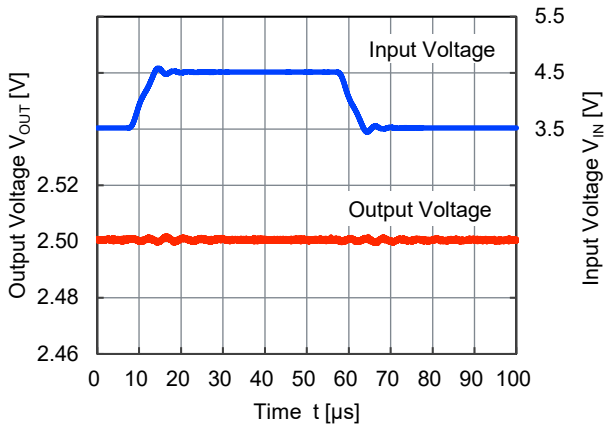
NR1640DC330D



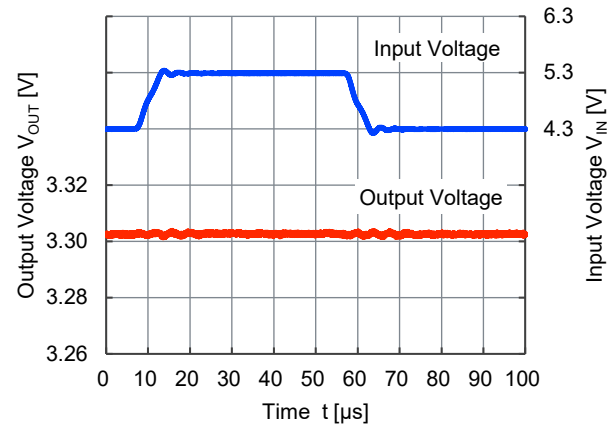
NR1640DC480D



12) Input Transient Response
 $I_{OUT} = 1\text{ mA}$, $t_r = t_f = 5\ \mu\text{s}$, $C_{IN} = C_{OUT} = 1.0\ \mu\text{F}$, $T_a = 25^\circ\text{C}$
 NR1640DC250D



NR1640DC330D



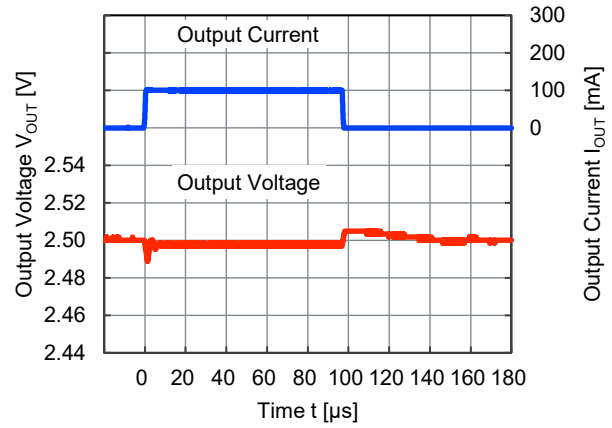
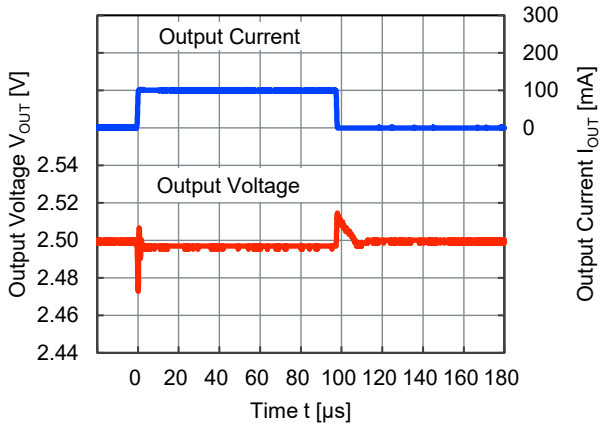
13) Load Transient Response

$V_{IN} = V_{SET} + 1\text{ V}$ (Max = 5.5 V), $t_r = t_f = 0.5\ \mu\text{s}$, $C_{IN} = 1.0\ \mu\text{F}$, $T_a = 25^\circ\text{C}$

NR1640DC250D

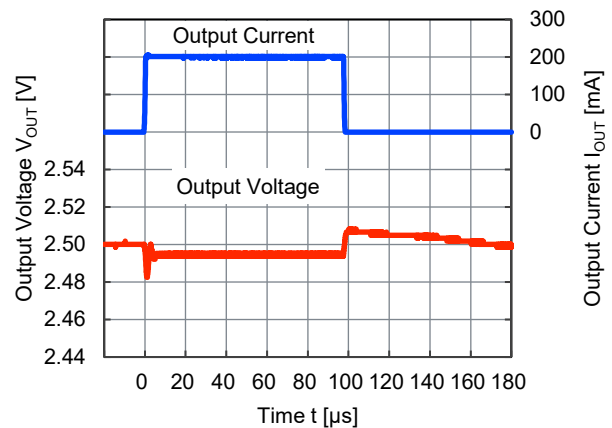
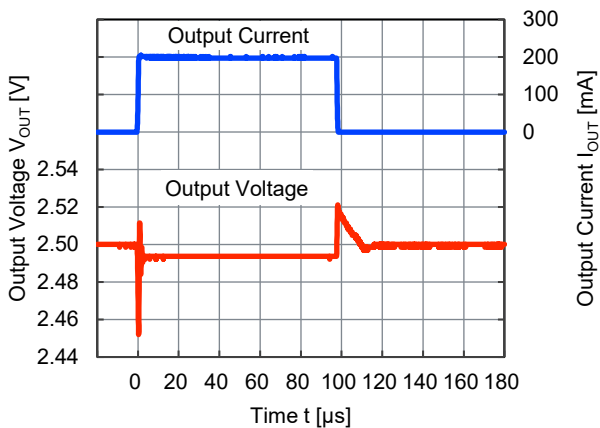
$C_{OUT} = 1.0\ \mu\text{F}$, $I_{OUT} = 1\ \text{mA} \leftrightarrow 100\ \text{mA}$

$C_{OUT} = 10\ \mu\text{F}$, $I_{OUT} = 1\ \text{mA} \leftrightarrow 100\ \text{mA}$



$C_{OUT} = 1.0\ \mu\text{F}$, $I_{OUT} = 1\ \text{mA} \leftrightarrow 200\ \text{mA}$

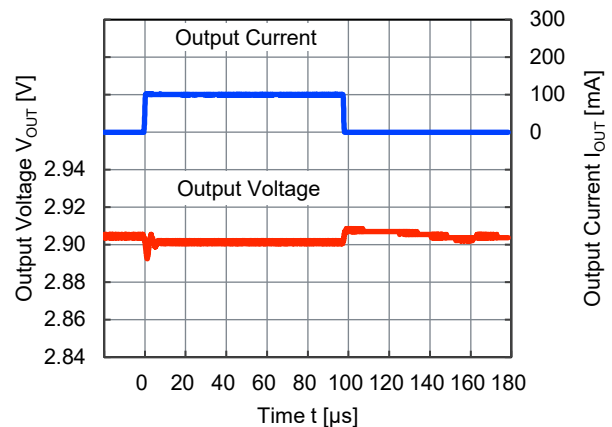
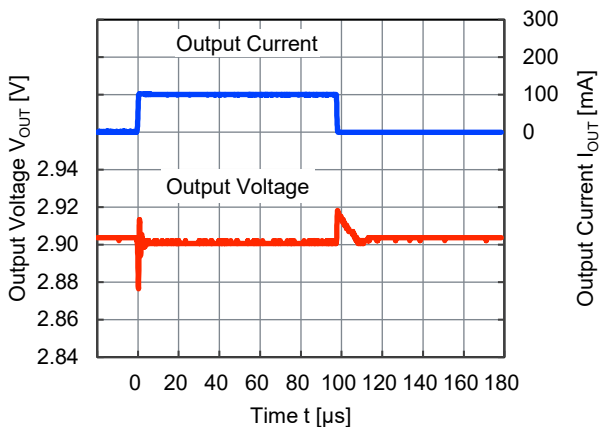
$C_{OUT} = 10\ \mu\text{F}$, $I_{OUT} = 1\ \text{mA} \leftrightarrow 200\ \text{mA}$



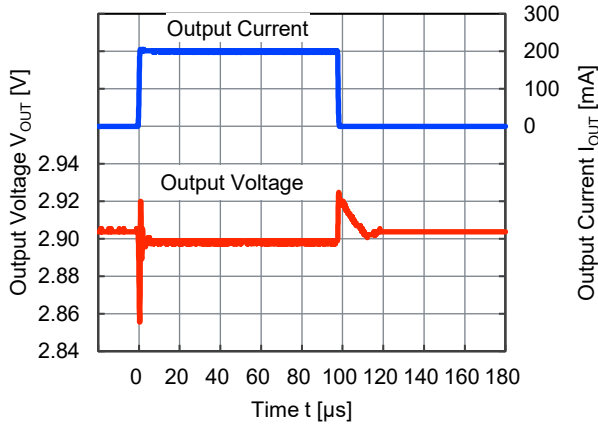
NR1640DC290D

$C_{OUT} = 1.0\ \mu\text{F}$, $I_{OUT} = 1\ \text{mA} \leftrightarrow 100\ \text{mA}$

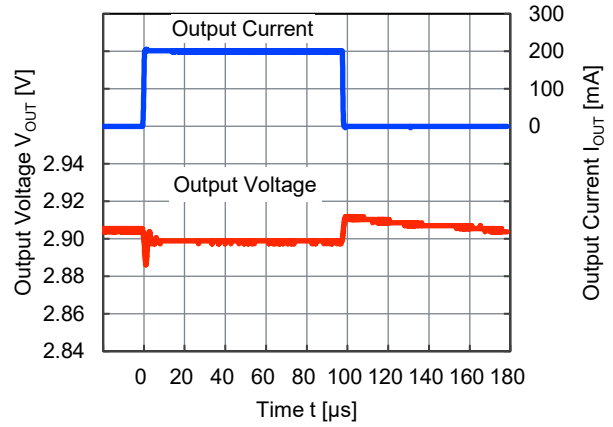
$C_{OUT} = 10\ \mu\text{F}$, $I_{OUT} = 1\ \text{mA} \leftrightarrow 100\ \text{mA}$



$C_{OUT} = 1.0 \mu\text{F}$, $I_{OUT} = 1 \text{ mA} \leftrightarrow 200 \text{ mA}$

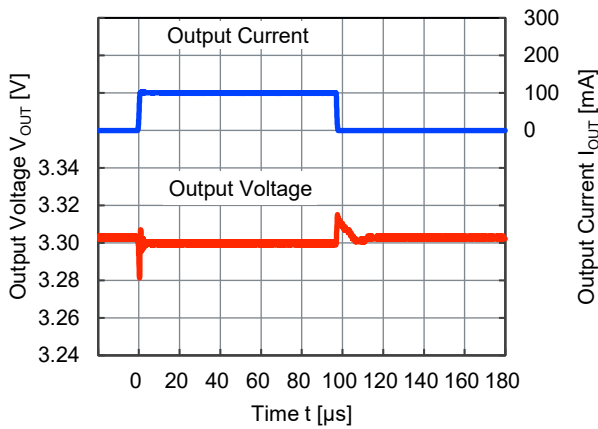


$C_{OUT} = 10 \mu\text{F}$, $I_{OUT} = 1 \text{ mA} \leftrightarrow 200 \text{ mA}$

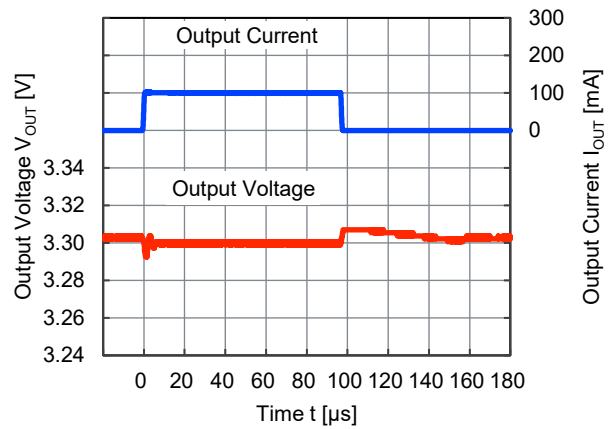


NR1640DC330D

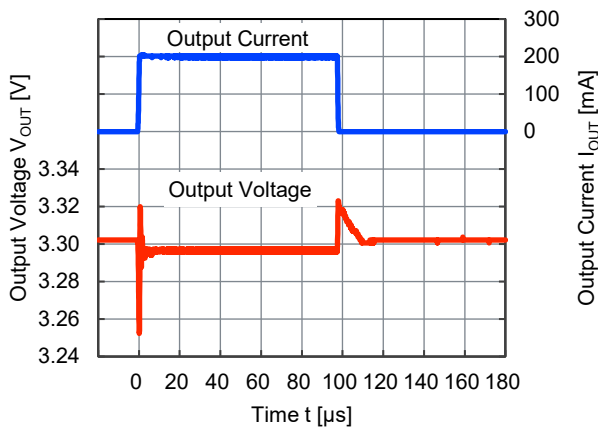
$C_{OUT} = 1.0 \mu\text{F}$, $I_{OUT} = 1 \text{ mA} \leftrightarrow 100 \text{ mA}$



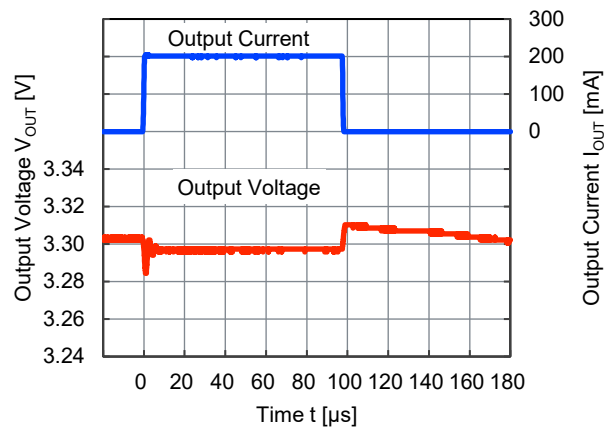
$C_{OUT} = 10 \mu\text{F}$, $I_{OUT} = 1 \text{ mA} \leftrightarrow 100 \text{ mA}$



$C_{OUT} = 1.0 \mu\text{F}$, $I_{OUT} = 1 \text{ mA} \leftrightarrow 200 \text{ mA}$

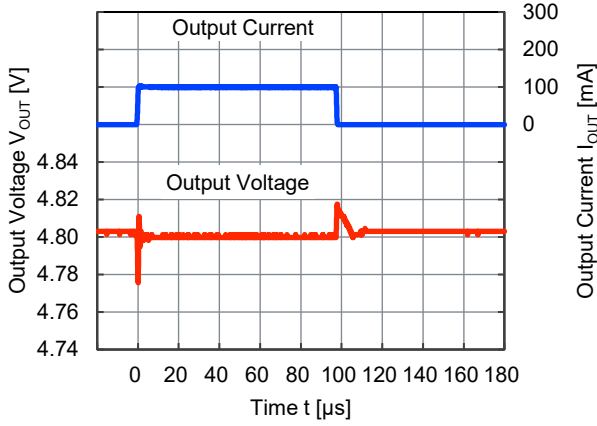


$C_{OUT} = 10 \mu\text{F}$, $I_{OUT} = 1 \text{ mA} \leftrightarrow 200 \text{ mA}$

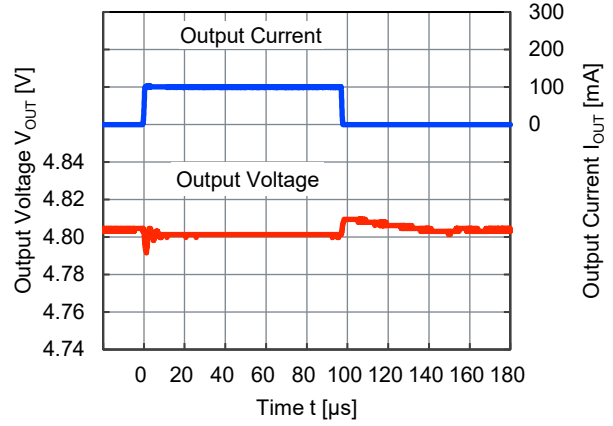


NR1640DC480D

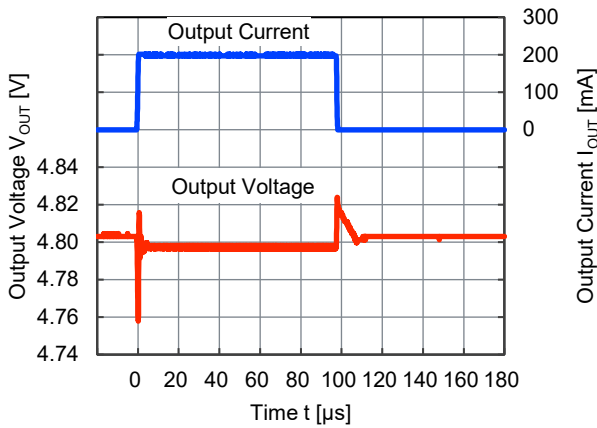
$C_{OUT} = 1.0 \mu F, I_{OUT} = 1 \text{ mA} \leftrightarrow 100 \text{ mA}$



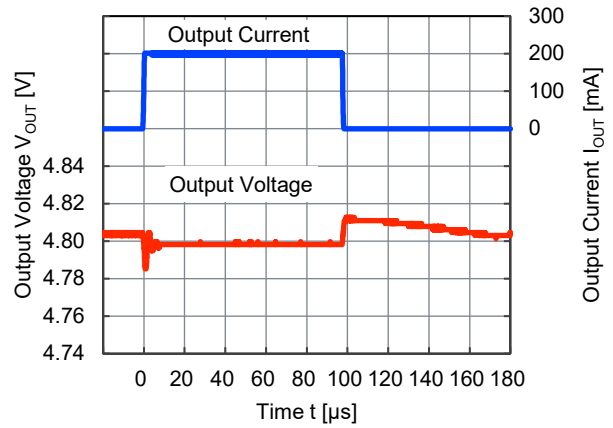
$C_{OUT} = 10 \mu F, I_{OUT} = 1 \text{ mA} \leftrightarrow 100 \text{ mA}$



$C_{OUT} = 1.0 \mu F, I_{OUT} = 1 \text{ mA} \leftrightarrow 200 \text{ mA}$



$C_{OUT} = 10 \mu F, I_{OUT} = 1 \text{ mA} \leftrightarrow 200 \text{ mA}$

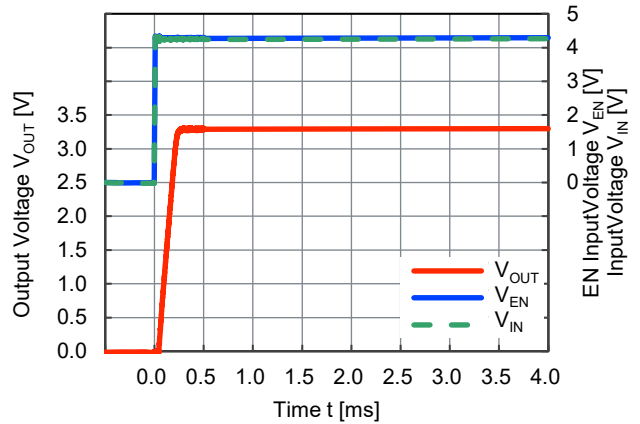
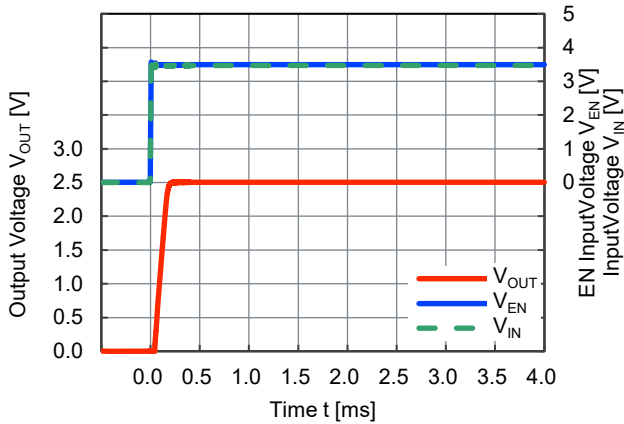


14) Turn on Speed with EN Pin

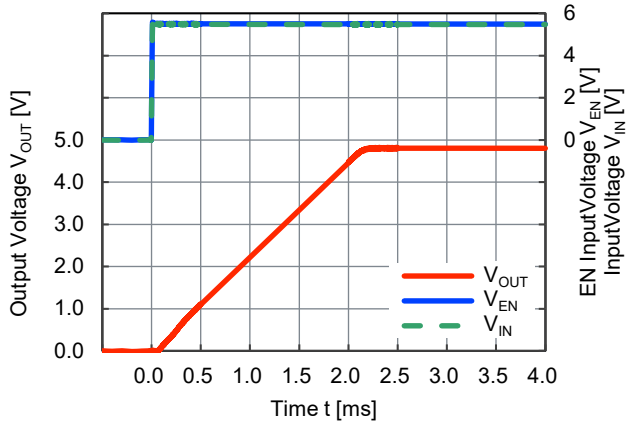
$V_{IN} = V_{SET} + 1 \text{ V}$ (Max = 5.5 V), $C_{IN} = C_{OUT} = 1.0 \mu F, T_a = 25^\circ C$

NR1640DC250A/E

NR1640DC330A/E



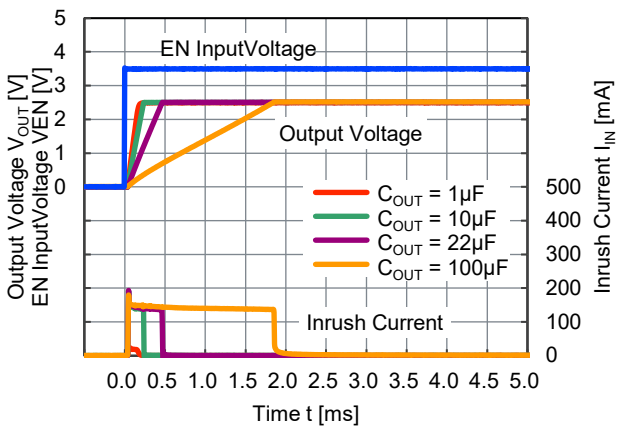
NR1640DC480D/H



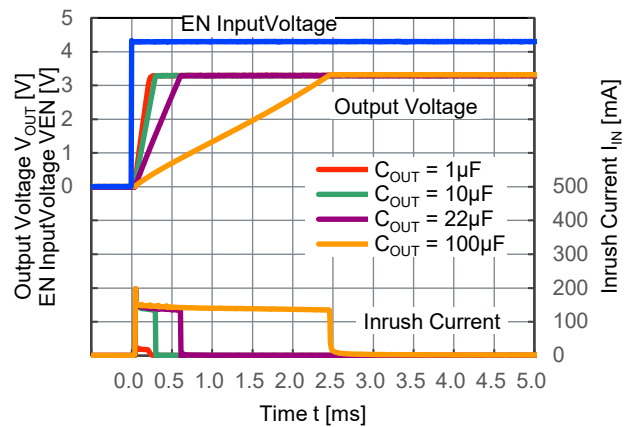
15) Inrush Current vs Output Capacitor

$V_{IN} = V_{SET} + 1$ V (Max = 5.5 V), $C_{IN} = C_{OUT} = 1.0$ μ F, $T_a = 25^\circ$ C

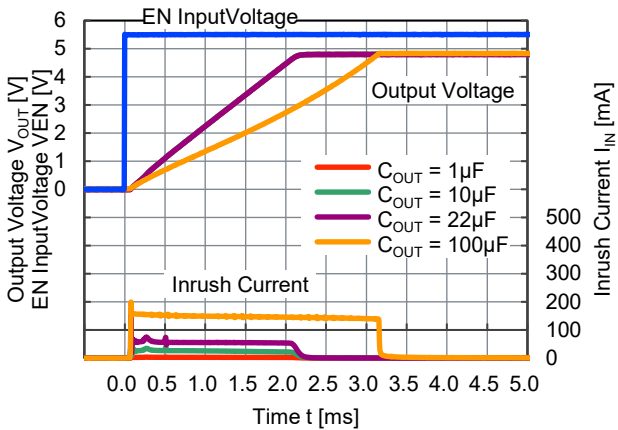
NR1640DC250A/E



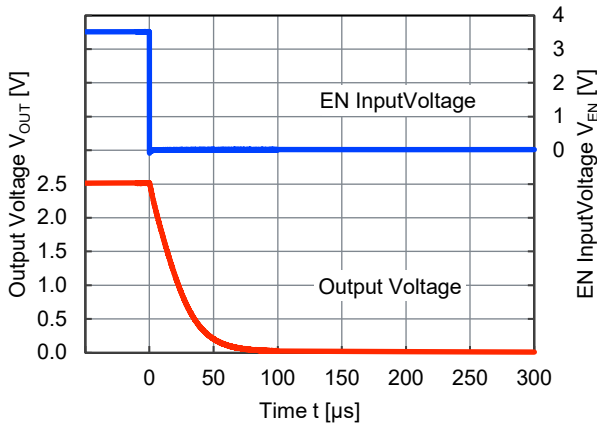
NR1640DC330A/E



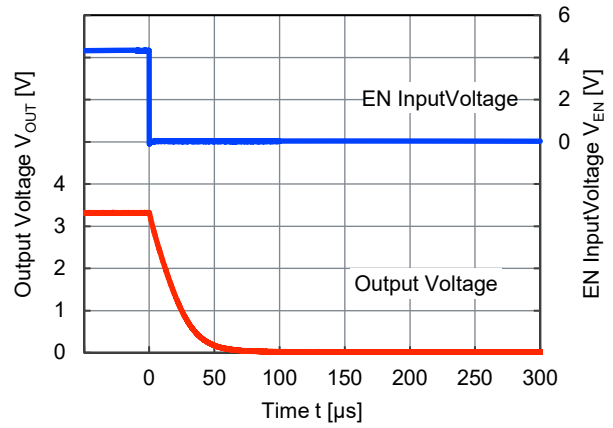
NR1640DC480D/H



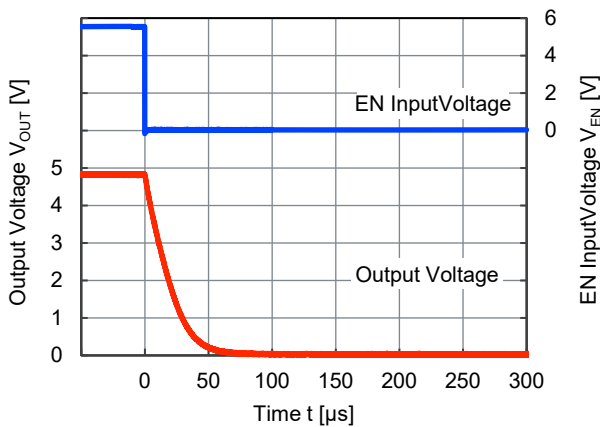
16) Turn off Speed with EN Pin
 $V_{IN} = V_{SET} + 1\text{ V}$ (Max = 5.5 V), $C_{IN} = C_{OUT} = 1.0\ \mu\text{F}$, $T_a = 25^\circ\text{C}$
 NR1640DC250A/E



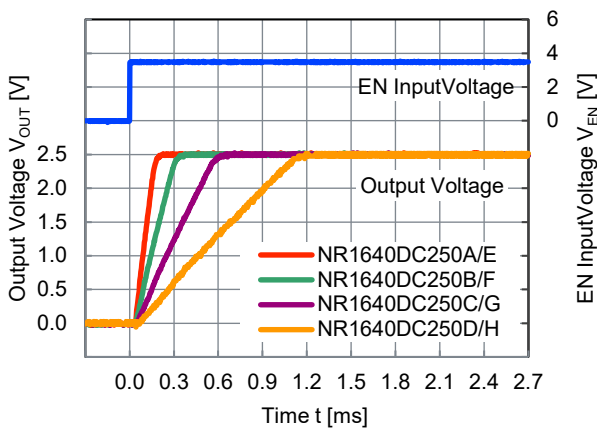
NR1640DC330A/E



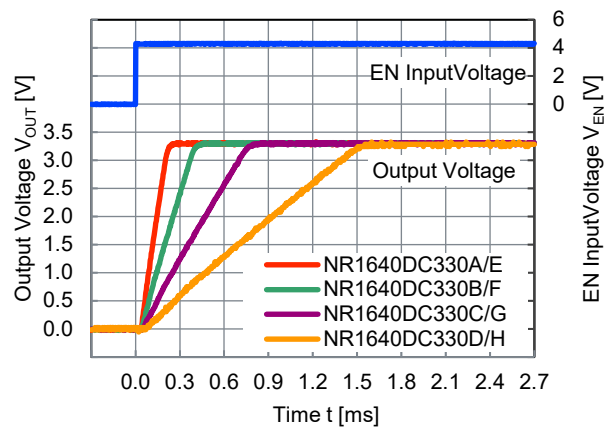
NR1640DC480D/H



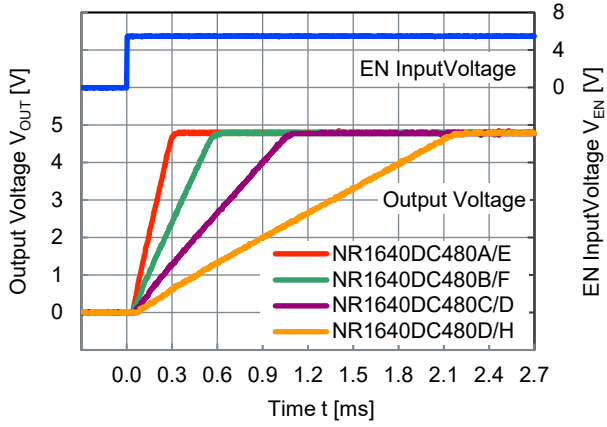
17) Soft start time
 $V_{IN} = V_{SET} + 1\text{ V}$ (MAX = 5.5 V), $C_{IN} = C_{OUT} = 1.0\ \mu\text{F}$, $T_a = 25^\circ\text{C}$
 NR1640DC250D



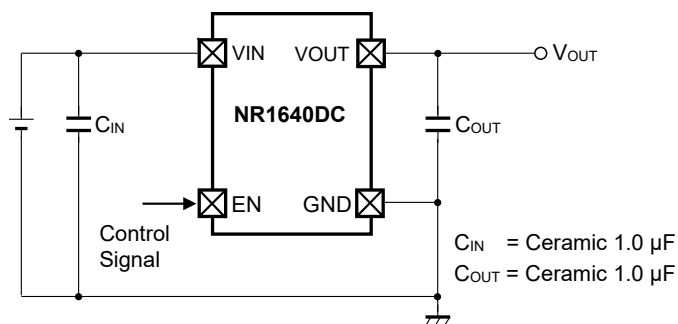
NR1640DC330D



NR1640DC480D



■TEST CIRCUIT



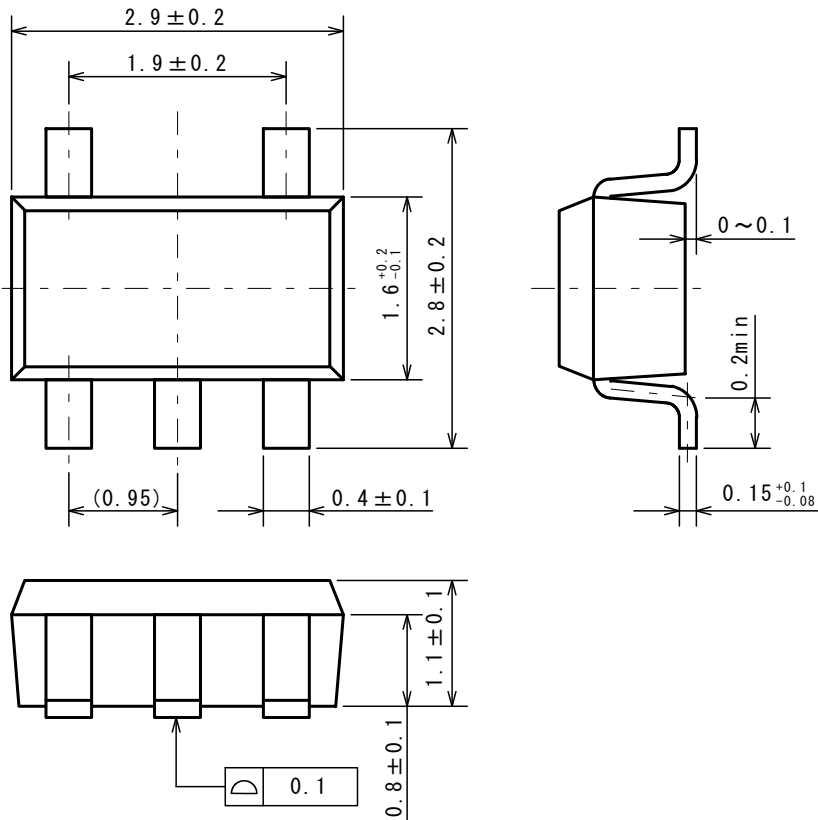
NR1640DC Test Circuit

【Components list for our evaluation】

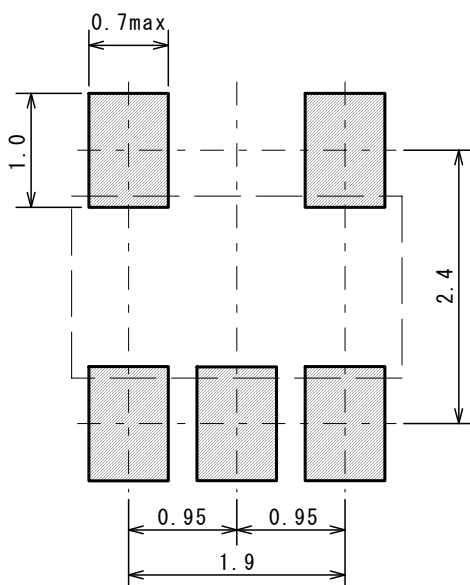
Symbol	Measurement Item		Parts Number
C_{IN}	All Items	1 μ F	GCM155C71A105K
C_{OUT}	All Items	1 μ F	GCM155C71A105K
	No.12,15	10 μ F	CGA4J1X7S1C106K
	No.15	22 μ F	GCM32ER71A226KE12L
	No.15	100 μ F	GRM32EE70J107ME15L

■ PACKAGE DIMENSIONS

UNIT: mm



■ EXAMPLE OF SOLDER PADS DIMENSIONS



Nisshinbo Micro Devices Inc.

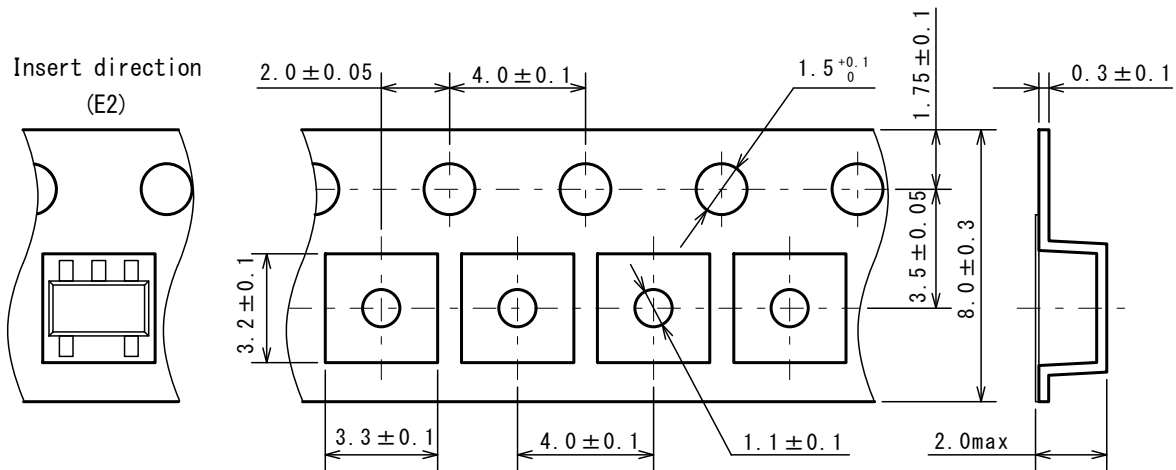
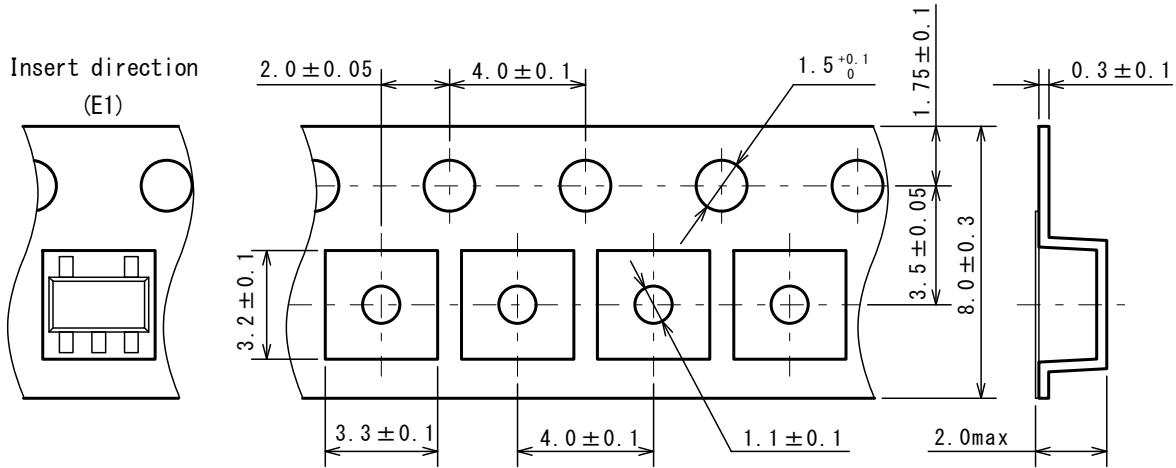
SOT-23-5-DC

PI-SOT-23-5-DC-E-D

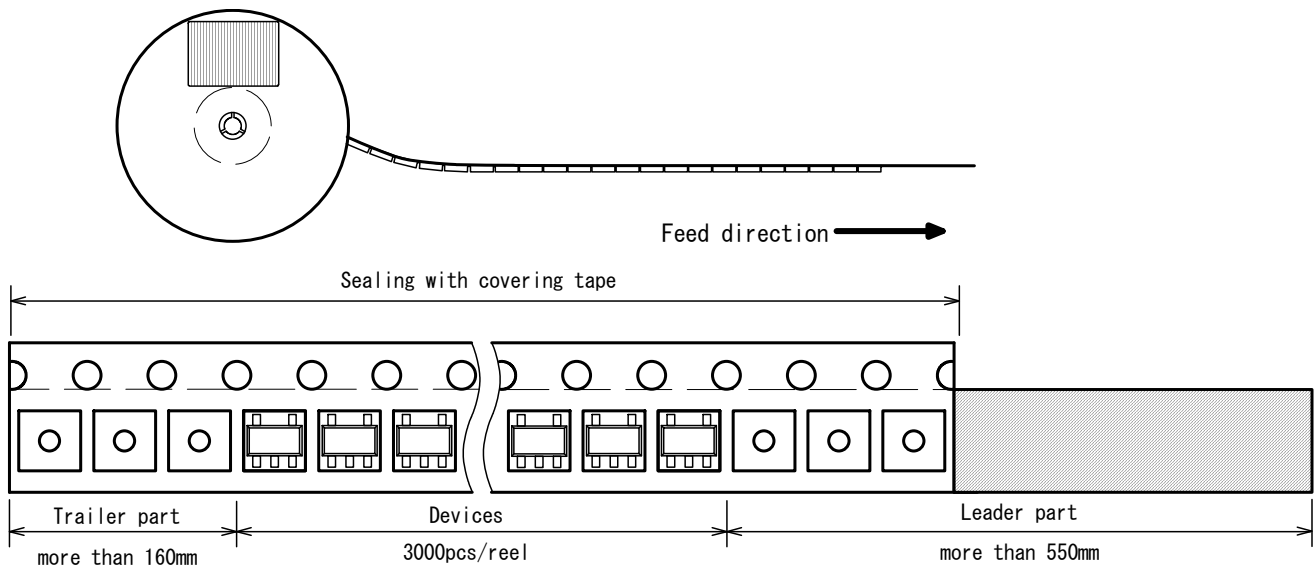
■ PACKING SPEC

UNIT: mm

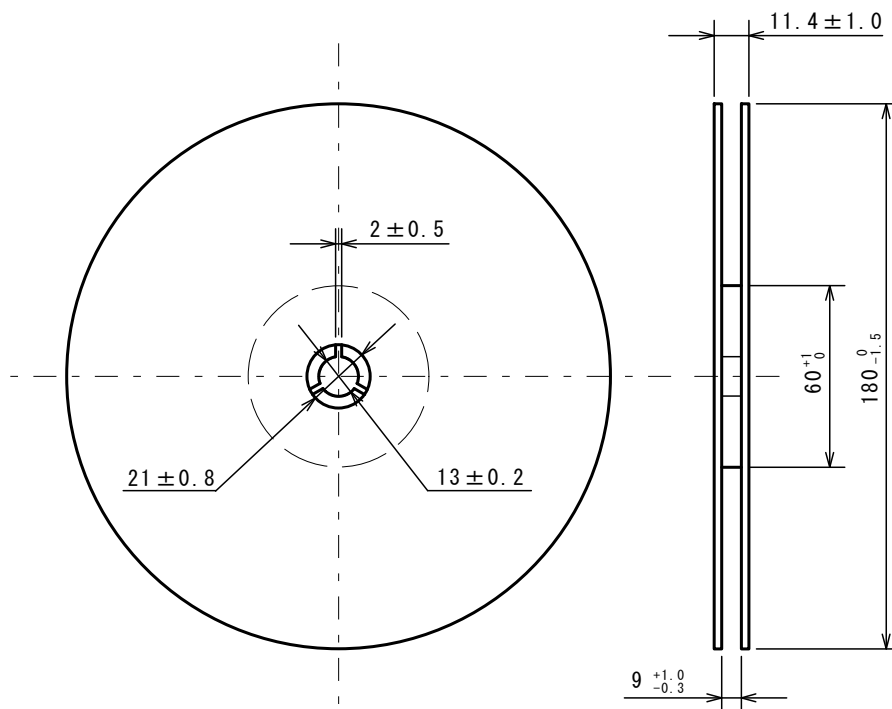
(1) Taping dimensions / Insert direction



(2) Taping state



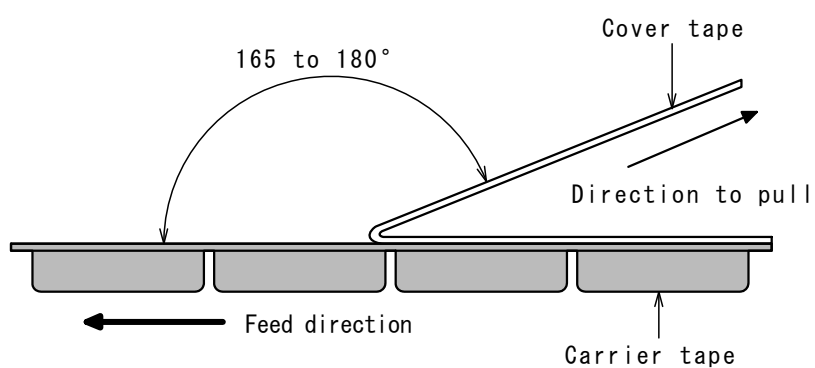
(3) Reel dimensions



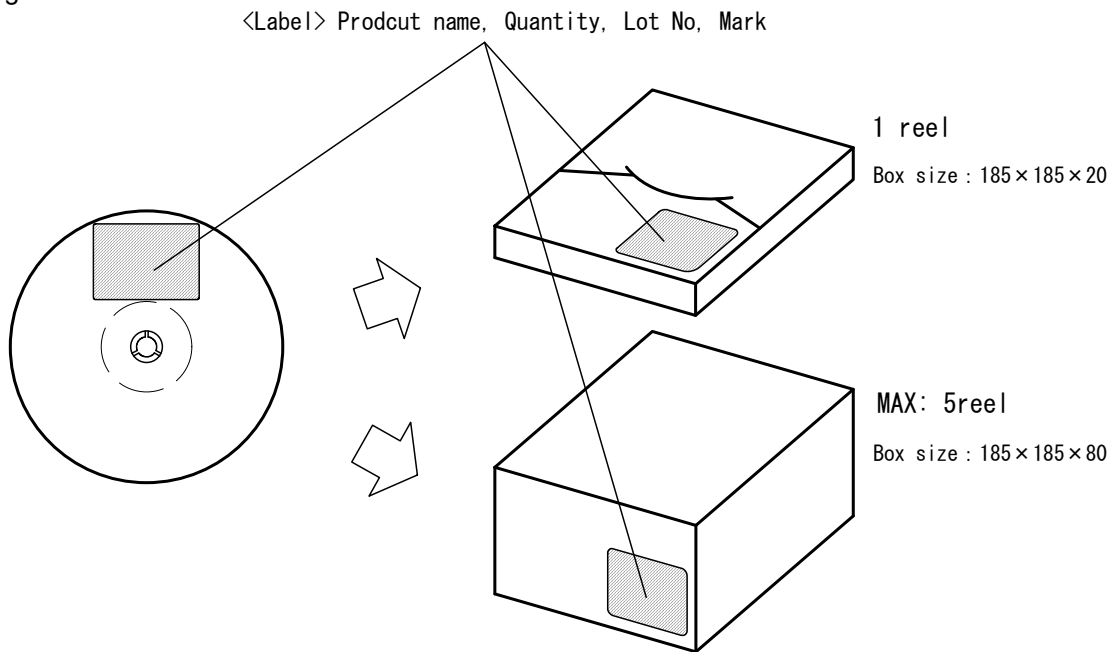
(4) Peeling strength

Peeling strength of cover tape

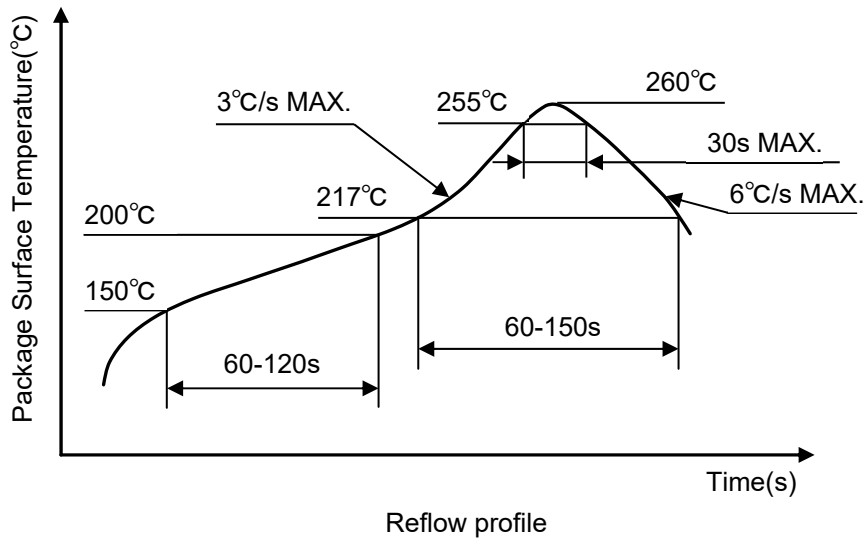
- Peeling angle 165 to 180° degrees to the taped surface.
- Peeling speed 300mm/min
- Peeling strength 0.1 to 1.0N



(5) Packing state



■ HEAT-RESISTANCE PROFILES



■ Revision History

Date	Revision	Changes
Jan. 7. 2022	1.0	Initial release
Apr. 28. 2022	1.1	Add NR1640DC290x to the lineup ELECTROSTATIC DISCHARGE(ESD) PROTECTION VOLTAGE “ Symbol ” → “ Item ”
Aug. 18. 2022	1.2	<ul style="list-style-type: none"> •WEIGHT (mg) 15 → 13.6 •「The following measurement conditions are based on JEDEC STD. 51-7.」 → 「The following measurement conditions are based on JEDEC STD. 51.」 •BLOCK DIAGRAMS → THEORY OF OPERATION •ELECTRICAL CHARACTERISTICS → PRODUCT-SPECIFIC ELECTRICAL CHARACTERISTICS •「改訂履歴」 → Revision History
Jan. 6. 2023	1.3	<ul style="list-style-type: none"> •Moved “Marking Specification” from “SOT-23-5-DC Package Information” to previous page of “Order Information”. •Updated “SOT-23-5-DC Package Information” to the latest version. (PI-SOT-23-5-DC-E-A → PI-SOT-23-5-DC-E-C)
Apr. 7. 2023	1.4	<ul style="list-style-type: none"> •Updated “SOT-23-5-DC Package Information” to the latest version. (PI-SOT-23-5-DC-E-C → PI-SOT-23-5-DC-E-D)

1. The products and the product specifications described in this document are subject to change or discontinuation of production without notice for reasons such as improvement. Therefore, before deciding to use the products, please refer to our sales representatives for the latest information thereon.
2. The materials in this document may not be copied or otherwise reproduced in whole or in part without the prior written consent of us.
3. This product and any technical information relating thereto are subject to complementary export controls (so-called KNOW controls) under the Foreign Exchange and Foreign Trade Law, and related politics ministerial ordinance of the law. (Note that the complementary export controls are inapplicable to any application-specific products, except rockets and pilotless aircraft, that are insusceptible to design or program changes.) Accordingly, when exporting or carrying abroad this product, follow the Foreign Exchange and Foreign Trade Control Law and its related regulations with respect to the complementary export controls.
4. The technical information described in this document shows typical characteristics and example application circuits for the products. The release of such information is not to be construed as a warranty of or a grant of license under our or any third party's intellectual property rights or any other rights.
5. The products listed in this document are intended and designed for use as general electronic components in standard applications (office equipment, telecommunication equipment, measuring instruments, consumer electronic products, amusement equipment etc.). Those customers intending to use a product in an application requiring extreme quality and reliability, for example, in a highly specific application where the failure or misoperation of the product could result in human injury or death should first contact us.
 - Aerospace Equipment
 - Equipment Used in the Deep Sea
 - Power Generator Control Equipment (nuclear, steam, hydraulic, etc.)
 - Life Maintenance Medical Equipment
 - Fire Alarms / Intruder Detectors
 - Vehicle Control Equipment (automotive, airplane, railroad, ship, etc.)
 - Various Safety Devices
 - Traffic control system
 - Combustion equipment

In case your company desires to use this product for any applications other than general electronic equipment mentioned above, make sure to contact our company in advance. Note that the important requirements mentioned in this section are not applicable to cases where operation requirements such as application conditions are confirmed by our company in writing after consultation with your company.

6. We are making our continuous effort to improve the quality and reliability of our products, but semiconductor products are likely to fail with certain probability. In order to prevent any injury to persons or damages to property resulting from such failure, customers should be careful enough to incorporate safety measures in their design, such as redundancy feature, fire containment feature and fail-safe feature. We do not assume any liability or responsibility for any loss or damage arising from misuse or inappropriate use of the products.
7. The products have been designed and tested to function within controlled environmental conditions. Do not use products under conditions that deviate from methods or applications specified in this datasheet. Failure to employ the products in the proper applications can lead to deterioration, destruction or failure of the products. We shall not be responsible for any bodily injury, fires or accident, property damage or any consequential damages resulting from misuse or misapplication of the products.
8. **Quality Warranty**
 - 8-1. **Quality Warranty Period**

In the case of a product purchased through an authorized distributor or directly from us, the warranty period for this product shall be one (1) year after delivery to your company. For defective products that occurred during this period, we will take the quality warranty measures described in section 8-2. However, if there is an agreement on the warranty period in the basic transaction agreement, quality assurance agreement, delivery specifications, etc., it shall be followed.
 - 8-2. **Quality Warranty Remedies**

When it has been proved defective due to manufacturing factors as a result of defect analysis by us, we will either deliver a substitute for the defective product or refund the purchase price of the defective product.
Note that such delivery or refund is sole and exclusive remedies to your company for the defective product.
 - 8-3. **Remedies after Quality Warranty Period**

With respect to any defect of this product found after the quality warranty period, the defect will be analyzed by us. On the basis of the defect analysis results, the scope and amounts of damage shall be determined by mutual agreement of both parties. Then we will deal with upper limit in Section 8-2. This provision is not intended to limit any legal rights of your company.
9. Anti-radiation design is not implemented in the products described in this document.
10. The X-ray exposure can influence functions and characteristics of the products. Confirm the product functions and characteristics in the evaluation stage.
11. WLCSP products should be used in light shielded environments. The light exposure can influence functions and characteristics of the products under operation or storage.
12. Warning for handling Gallium and Arsenic (GaAs) products (Applying to GaAs MMIC, Photo Reflector). These products use Gallium (Ga) and Arsenic (As) which are specified as poisonous chemicals by law. For the prevention of a hazard, do not burn, destroy, or process chemically to make them as gas or power. When the product is disposed of, please follow the related regulation and do not mix this with general industrial waste or household waste.
13. Please contact our sales representatives should you have any questions or comments concerning the products or the technical information.



Nisshinbo Micro Devices Inc.

Official website

<https://www.nisshinbo-microdevices.co.jp/en/>

Purchase information

<https://www.nisshinbo-microdevices.co.jp/en/buy/>